

Onan

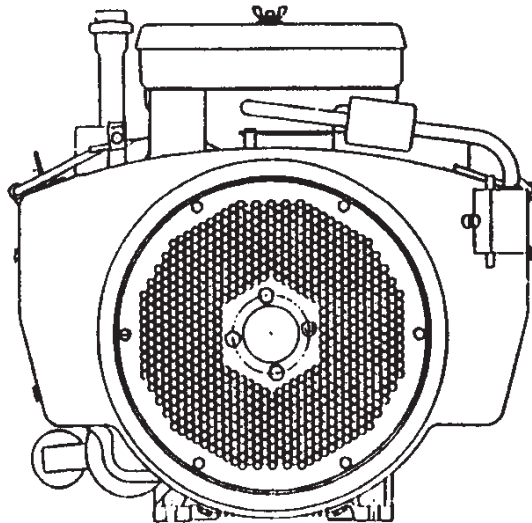
Engine

Parts Catalog

**P216G
P218G
P220G**

**OL16
OL18
OL20**

**LX720
LX770
LX790**



Printed in U.S.A.

965-0268B
10-98 (Spec A-H)
Replaces 4-98 (Spec A-H)

MODEL IDENTIFICATION

To avoid errors or delay in filling your parts order, always give the MODEL, SPEC NO. and SERIAL NO. from the Onan nameplate.

For handy reference, insert your nameplate information in the spaces below.

MODEL AND SPEC NO.

SERIAL NO.

DIGITAL CONTROL SOFTWARE VERSION
AND DATE (IF APPLICABLE)

SAFETY PRECAUTIONS

The following symbols are used in Onan manuals to alert users to the potentially dangerous conditions relating to maintenance of equipment and replacement of parts. Please read and observe.



This symbol warns of immediate hazards which will result in severe personal injury or death.



This symbol refers to a hazard or unsafe practice which can result in severe personal injury or death.



This symbol refers to a hazard or unsafe practice which can result in severe personal injury or product or property damage.

PRODUCT SAFETY PRECAUTIONS



Service and repair of Onan equipment must be performed by trained, experienced personnel only. Improper service or repair may result in property damage, severe personal injury or death. Do not use this catalog as a guide to servicing your equipment. Read and follow the IMPORTANT SAFETY INSTRUCTIONS in the Service Manual appropriate for the equipment you are working on.



Contact with USED ENGINE OILS has been identified by a United States federal agency and some USA state agencies as causing CANCER or REPRODUCTIVE TOXICITY. When checking or changing engine oils take all necessary precautions not to ingest, breathe the fumes or contact the used oil.



Contact with ASBESTOS has been identified by a United States federal agency and some USA state agencies as causing CANCER or REPRODUCTIVE TOXICITY. When handling engine gaskets take all necessary precautions not to ingest, breathe or contact the dust from the gaskets! Use adequate ventilation and wear protective gloves, masks and clothing!



Contact with BENZINE and LEAD, found in gasoline, fuel additives and solvents has been identified by a United States federal agency and some USA state agencies as causing CANCER or REPRODUCTIVE TOXICITY. When checking, draining or adding gasoline and fuel additives or using solvents take all necessary precautions not to ingest, breathe the fumes or contact the liquids. Use adequate ventilation and wear protective gloves, masks and protective clothing!

Introduction

This parts manual applies to the standard Performer horizontal engine as listed in the Engine Data Table. Parts are arranged in groups of related items and each illustrated part is identified by a reference number corresponding to the same reference number in the parts list. Parts illustrations are typical. Throughout this manual, left and right sides are determined by facing the oil cooler (front) end of the engine.

Using the MODEL and SPECIFICATION NUMBER from the nameplate, consult the SALES OPTION CODE TABLE in the back of the book to identify factory installed parts that are unique to your engine (Note: The diagonal line (/) in the model and specification number separates engine characteristics from the specification number/letter. The specification number denotes customer requested features. The specification letter advances [A to B, B to C, etc] with major manufacturing changes.)

Engine Data Table

MODEL	RATING
P216G-I/*	16 Horse Power
P218G-I/*	18 Horse Power
P220G-I/*	20Horse Power
OL16/*	16 Horse Power
OL18/*	18 Horse Power
OL20/*	20 Horse Power
LX720/*	16 Horse Power
LX770/*	18 Horse Power
LX790/*	20 Horse Power

Index

- Adapter, Air Intake – Carburetor, **39**
- Adapter, Arm – Governor, **43**
- Adapter, Cleaner – Remote Air, **39**
- Adapter, Clutch, **40**
- Adapter, Clutch – Electric, **40**
- Adapter, Exhaust, **53**
- Adapter, Filter – Oil, **47, 48**
- Adapter, Gas – LP, **29**
- Adapter, Governor Arm, **54**
- Adapter, Plate – Bearing, **7**
- Adapter, Pump – Hydraulic, **9**
- Alternator, **15**
- Arm Assy, Control – Governor, **43**
- Arm, Governor, **15**

- Baffle, Base – Oil, **51**
- Baffle, Tube – Breather, **9**
- Baffle, Valve – Breather, **7**
- Ball, Bearing – Governor Shaft, **15**
- Band, Cleaner – Air, **38**
- Base, Filter – Remote Oil, **48**
- Base, Oil, **51**
- Bearing, Camshaft, **7**
- Bearing, Crankshaft – Front, **7**
- Bearing, Crankshaft – Rear, **7**
- Bearing, Shaft – Governor, **15**
- Block, Cylinder, **7, 9**
- Bracket Assy, Choke, **35**
- Bracket, Adjust – Governor, **45**
- Bracket, Cable, **43**
- Bracket, Cable – Choke, **33, 34**
- Bracket, Choke, **35**
- Bracket, Control – Governor, **43**
- Bracket, Converter – LP, **31**
- Bracket, Filter – Remote Oil, **48**
- Bracket, Governor, **17**
- Bracket, Lifting, **45**
- Bracket, Line – Fuel, **17, 39**
- Bracket, Mounting – Regulator, **30**
- Bracket, Solenoid – Remote Choke, **35**
- Bracket, Solenoid – Two Speed Governor, **17**
- Bracket, Support – Muffler, **53**
- Bracket, Tube – Oil Fill, **46**
- Bushing, Arm – Control, **43**
- Bushing, Control – Governor, **17, 43**
- Bushing, Reducer – Natural Gas, **30**

- Cable, Governor, **17**
- Cable, Plug – Spark, **16**
- Camshaft, **10**
- Cap Assy, End – Starter, **21**
- Cap, Breather, **9**
- Cap, Fill – Oil, **46**
- Cap, Fitting – Fuel, **23**
- Cap, Limiter – Idle, **28**
- Cap, Port – Vacuum, **15**
- Cap, Solenoid – Starter, **19**
- Cap, Valve, **7**

- Capacitor, **37, 39**
- Carburetor Components, Gasoline, **26, 27**
- Carburetor Components, Gasoline – Auto Choke, **28**
- Carburetor, Components – LP Gas, **29**
- Carburetor, Gasoline, **25**
- Carburetor, LP, **32**
- Choke, Manual, **54**
- Choke, Remote, **35**
- Cleaner, Air, **37, 38**
- Cleaner, Air – Remote, **38**
- Clip, Cable – Choke, **33, 34**
- Clip, End – Rod, **25, 32, 45**
- Clip, Lock – Remote Choke, **35**
- Clip, Retaining – Control, **15**
- Clip, Retaining – Control Rod, **25, 32, 45**
- Clip, Wire, **16**
- Clip, Wire – Blower Housing, **45**
- Clip, Wire – Fuel Line, **25**
- Clutch Assy, Starter, **20**
- Codes, Sales (Definitions), **75**
- Coil, Ignition – Battery, **16**
- Components, Carburetor, **26**
- Components, Carburetor – Gasoline, **27**
- Components, Carburetor – Gasoline Auto Choke, **28**
- Components, Starter, **19, 20, 21**
- Connector, Line – Oil, **47**
- Connector, Male, **48**
- Connector, Male – Inverted, **29**
- Control, Choke – Front Pull, **34**
- Control, Choke – Rear Pull, **33**
- Control, Ignition, **15**
- Cover Assy, Starter, **21**
- Cover, Cleaner – Air, **37**
- Cover, Element – Air Cleaner, **37**
- Cover, Pad – Oil Filter, **47**
- Cover, Regulator – Voltage, **43**
- Cover, Tube – Exhaust, **53**
- Cover, Valve, **7**
- Crankshaft, **11**
- Cup, Governor, **10**
- Cup, Intake – Oil Pump, **51**

- Decal, Control Panel, **54**
- Deflector, Carburetor, **29**
- Drain, Filter – Oil, **47**

- Elbow, Adapter – LP, **29**
- Elbow, Brass – LP Carburetor Kit, **32**
- Elbow, Brass – LP Converter Kit, **31**
- Elbow, Brass – Natural Gas Regulator, **30**
- Elbow, Gas – LP, **29**
- Elbow, Inlet – Air, **38, 39**
- Elbow, Main Jet – LP Regulator, **29**
- Elbow, Male – Oil Hose, **48**
- Elbow, Street, **30**
- Elbow, Street – LOPKO, **48, 49**
- Elbow, Street – Oil Line, **47**
- Elbow, Street – Pressure Sender, **50**

Index

- Element, Cleaner – Air, **37**
- Exhaust System, **53**

- Filter, Fuel, **23**
- Filter, Oil, **47, 48**
- Filter, Oil – Remote, **48**
- Filter, Tube – Breather, **37, 39**
- Fitting, Barbed, **25**
- Flywheel, **13**
- Fuel System – Gasoline, **25**
- Fuel System – LP Gas, **29**
- Fuse, 30A Blade, **57, 58, 59**
- Fuse, 30A Cartridge, **58**

- Gasket, Adapter – Oil Filter, **47, 48**
- Gasket, Base – Oil, **51**
- Gasket, Carburetor – Gasoline, **25**
- Gasket, Carburetor – LP, **32**
- Gasket, Cleaner – Air, **29, 37**
- Gasket, Cover – Valve, **7**
- Gasket, Exhaust, **53**
- Gasket, Filter – Oil, **47**
- Gasket, Fitting – Hose, **37**
- Gasket, Head – Cylinder, **7**
- Gasket, Horn – Air, **29**
- Gasket, Manifold – Exhaust, **53**
- Gasket, Manifold – Gasoline Intake, **25**
- Gasket, Manifold – LP Intake, **32**
- Gasket, Mounting – Gearcase, **15**
- Gasket, Plate – Bearing, **7**
- Gasket, Plate – Ignition, **9**
- Gasket, Plug – Hex Head, **51**
- Gear, Camshaft, **10**
- Gear, Crankshaft, **11**
- Gear, Drive, **21**
- Gear, Ring, **13**
- Gearcase, **15**
- Governor, **43, 45**
- Governor, Speed – Two, **17**
- Grommet, Bracket – Fuel Line, **17**
- Grommet, Cleaner – Air, **32**
- Grommet, Cleaner – Remote Air, **39**
- Grommet, Seal – Air, **45, 48**
- Grommet, Support – Air Cleaner, **37**
- Grommet, Tube – Breather, **37**
- Guard, Stationary, **45**
- Guide, Valve, **7**

- Harness, Control, **54**
- Harness, Engine (Code 35AZ), **60**
- Harness, Engine (Code 35BB, 35BD, 35BH, 35CG), **55**
- Harness, Engine (Code 35BC, 35BZ, 35CC, 35CH, 35CJ, 35DB), **56, 58**
- Harness, Engine (Code 35BE), **57**
- Harness, Engine (Code 35BJ), **60**
- Harness, Engine (Code 35BK), **59**
- Harness, Interface (Code 35AW), **61**
- Harness, Interface (Code 47AW), **61**

- Harness, Wiring – LOPKO, **49**
- Head, Cylinder, **7**
- Holder, Brush, **20**
- Holder, Cartridge Fuse, **58**
- Hose, Breather, **25, 32, 39**
- Hose, Fuel, **23, 25, 29, 32**
- Hose, Inlet – Air, **32**
- Hose, Oil, **48**
- Housing, Blower, **43, 45**
- Housing, Cleaner – Air, **37**
- Housing, Cylinder – Air, **43**
- Hub, Cup – Governor, **10**
- Hub, Plate – Drive, **40**

- Ignition, Electric, **16**
- Indicator, Fill – Oil, **46**
- Insert, Seat – Valve, **7**
- Insulator, Module – Ignition, **15**

- Jet, Idle, **27, 28**
- Jet, Power, **26, 27, 28**
- Joint, Ball, **45**

- Key, Crankshaft, **11**
- Key, Flywheel, **13**
- Key, Gear – Crankshaft, **11**
- Key, Machine – PTO Shaft, **13**
- Key, Woodruff – Camshaft Gear, **10**
- Kit, Bracket – Mounting, **19**
- Kit, Brush – Starter, **19, 20**
- Kit, Bushing – Starter, **19, 20**
- Kit, Carburetor, **25**
- Kit, Carburetor – LP, **32**
- Kit, Cleaner – Air, **37**
- Kit, Clutch – Starter, **19**
- Kit, Converter – LP, **31**
- Kit, Float, **27, 28**
- Kit, Gasket, **28**
- Kit, Gasket – Oil Pump, **7**
- Kit, Hardware – Starter, **19, 20**
- Kit, Intake Manifold, **25**
- Kit, Lever – Choke, **27**
- Kit, Lever – Starter Shift, **19, 20**
- Kit, Repair – Gasoline Carburetor, **27**
- Kit, Repair – Starter, **21**
- Kit, Ring – Piston, **9**
- Kit, Screw and Plug, **28**
- Kit, Seal – Dust, **19**
- Kit, Shaft – Choke, **27**
- Kit, Shaft – Throttle, **27, 28**
- Kit, Solenoid – Starter, **19, 20**
- Kits, Gasket, **7, 62**
- Knob, Cleaner – Air, **37**

- Labels, **62**
- Lever, Choke, **34, 35**
- Lever, Control, **54**
- Lever, Governor, **45**

Index

Line, Oil – Flex, **47**
Line, Pulse, **23**
Link, Choke, **34, 35**
Link, Control – Governor, **43**
Lock, Spring – Valve, **7**

Manifold, Exhaust, **53**
Manifold, Intake, **25, 32**
Muffler, **53**

Needle, Carburetor, **28**

O–Ring, Carburetor – Gasoline, **25**
O–Ring, Carburetor – LP, **29**
O–Ring, Valve – Shutoff, **29**

Paint, **62**
Panel, Control, **54**
Pin, Alignment – Gear Cover, **7**
Pin, Center – Camshaft, **10**
Pin, Cotter – Choke Lever, **34**
Pin, Cotter – Governor, **43, 45**
Pin, Cotter – Two Speed Governor, **17**
Pin, Dowel – Governor Cup Stop, **15**
Pin, Drive – Bearing Stop, **7**
Pin, Piston, **9**
Piston, **9**
Plate, Bearing – Rear, **7**
Plate, Cap – Starter, **21**
Plate, Cover – Ignition Plunger, **9**
Plate, Deflector – Air, **37**
Plate, Support – Air Cleaner, **37**
Plug, Black Nylon – Stationary Guard, **45**
Plug, Cap, **34**
Plug, Countersunk – Oil Pad Cover, **47**
Plug, Dot Button – Blower Housing, **39**
Plug, Hex Head – Oil Base, **51**
Plug, Hole – Breather, **9**
Plug, Hole – Core, **7**
Plug, Spark, **16**
Plug, Square Head – Adapter, **47**
Plug, Square Head – Oil Base, **51**
Plug, Welch – Camshaft, **7**
Plunger, Valve – Bypass, **7, 48**
Pre–Cleaner, Air, **38**
Pulley, **41**
Pulley, Drive – Alternator, **41**
Pump, Fuel, **23**
Pump, Fuel – Vacuum, **23**
Pump, Oil, **7**

Rectifier, Control Harness Silicon, **54**
Rectifier, Engine Harness, **56**
Rectifier, Silicon, **58**
Reed, Valve – Breather, **7**
Regulator, **15**
Regulator, Converter – LP, **31**
Regulator, Gas – LP, **29**
Regulator, Gas – Natural, **30**
Regulator, Voltage, **15**
Retainer, Bolt – Starter, **21**
Ring, Retaining – Camshaft, **10**
Ring, Retaining – Crankshaft, **11**
Ring, Retaining – Piston Pin, **9**
Rod, Choke, **35**
Rod, Connecting, **9**
Rod, Control, **45**
Rod, Control – Governor, **25, 32**
Rod, Governor, **45**
Rotor, Ignition, **16**

Sales Code Definitions, **75**
Sales Option Code Table, **74**
Screen, Inlet – Air, **13**
Screen, Tube – Breather, **9**
Seal, Dust, **20, 21**
Seal, O–Ring – Air Cleaner, **39**
Seal, O–Ring – Breather Cap, **9**
Seal, Oil – Crankshaft, **15**
Seal, Oil – Crankshaft Rear, **7**
Seal, Oil – Governor Shaft, **15**
Seal, Tube – Oil Fill, **46**
Seal, Valve – Intake, **7**
Sealant, Thread, **62**
Sender, Gauge – Oil Pressure, **50**
Sender, Pressure – Oil, **50**
Shaft, Governor, **15**
Shaft, PTO, **13**
Shim, End Play – Crankshaft, **7**
Sleeve, Bearing, **11**
Solenoid, **35**
Solenoid, Cutoff – Fuel, **27**
Solenoid, Governor – Two Speed, **17**
Spacer, Cleaner – Air, **32**
Spacer, LP Gas, **37**
Spacer, Nylon – Air Cleaner, **37**
Spacer, Stud – Air Cleaner, **37**
Spring, Governor, **17, 43**
Spring, Governor Return, **54**
Spring, Needle – Power, **28**
Spring, Rod – Governor, **25, 32**
Spring, Setting – Idle, **43**
Spring, Valve, **7**
Spring, Valve – Breather, **7**
Spring, Valve – Bypass, **7**
Starter, **18**
Starter, Inertia, **18**
Starter, Shift – Solenoid, **18**
Stator, **15**
Strap, Mounting – Regulator, **30**
Stud, Adjusting, **45**
Stud, Cover – Gear, **15**
Stud, Mounting, **7**
Support, Cleaner – Air, **37**
Support, Cover – Exhaust, **53**
Support, Muffler, **53**
Switch – LOPKO, **49**

Index

Switch, Ignition, **54**
Switch, LOPKO, **48, 49**
Switch, Temperature – High, **41**
Switch, Temperature – Oil, **51**
Swivel, Lever – Choke, **17, 34, 45**
Swivel, Lever – Throttle, **43**
Swivel, Link, **35**

Tappet, Valve – Standard, **7**
Tube, Breather – Air Cleaner, **37**
Tube, Breather – Crankcase, **37, 39**
Tube, Breather – Cylinder Block, **9**
Tube, Breather – LP Carburetor, **32**
Tube, Exhaust, **53**
Tube, Exhaust – Offset, **53**
Tube, Fill – Oil, **46**
Tube, Induction – Air, **38, 39**
Tube, Intake – Air, **29, 37**

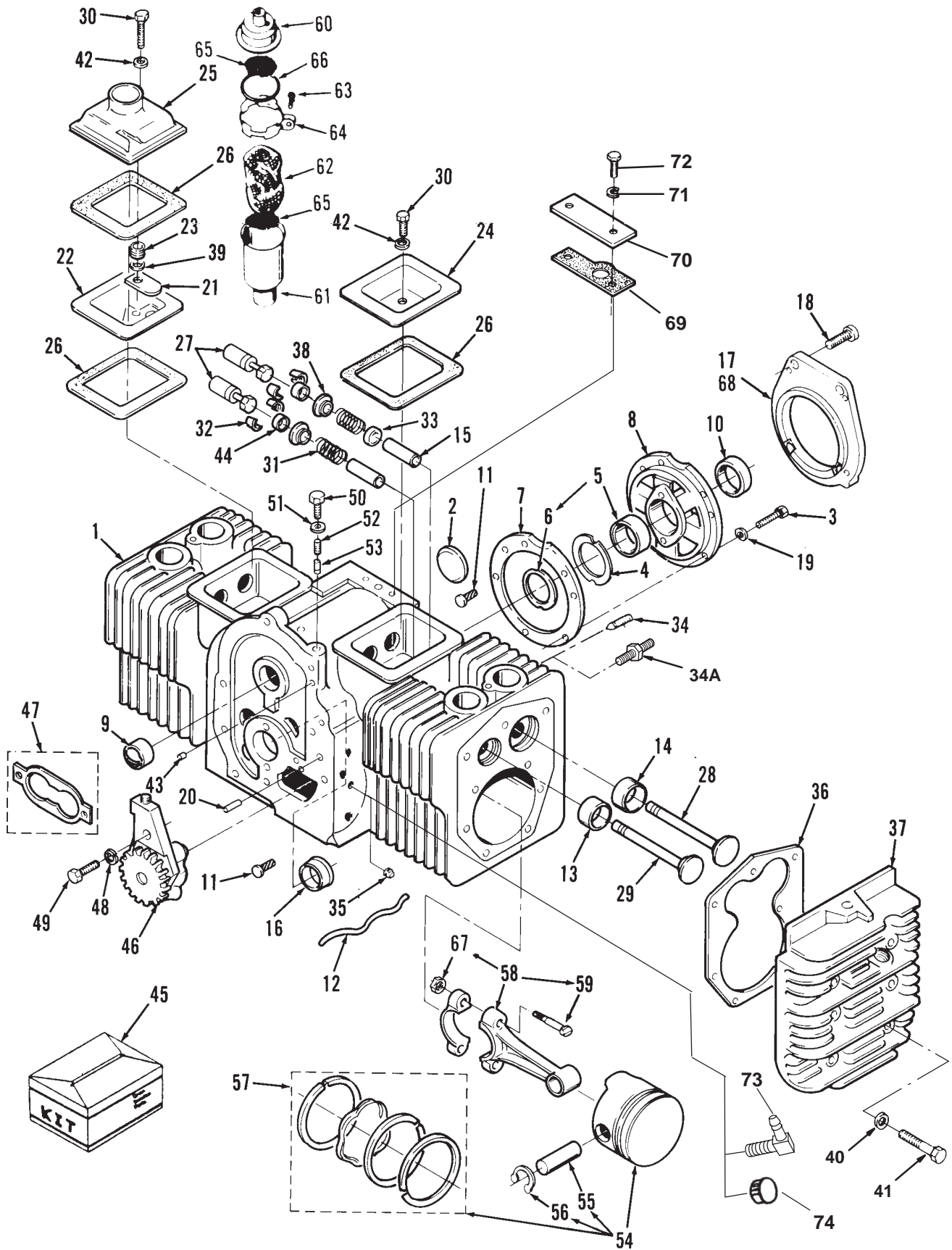
Tube, Oil – Cylinder Block, **7**
Tube, Port – Vacuum, **15**

Valve, Breather, **9**
Valve, Exhaust, **7**
Valve, Intake, **7**
Valve, Magnetic, **30**
Valve, Shutoff – Fuel, **29**
Valve, Shutoff – LP Converter, **31**
Valve, Shutoff – Oil Base, **51**
Vaporizer, Gas – LP, **29**

Weight, Balance, **11**
Wheel, Blower, **13**
Wheel, Screen – Blower, **13**
Wrapper, Element – Air Cleaner, **37**

Yoke, Shaft – Governor, **15**

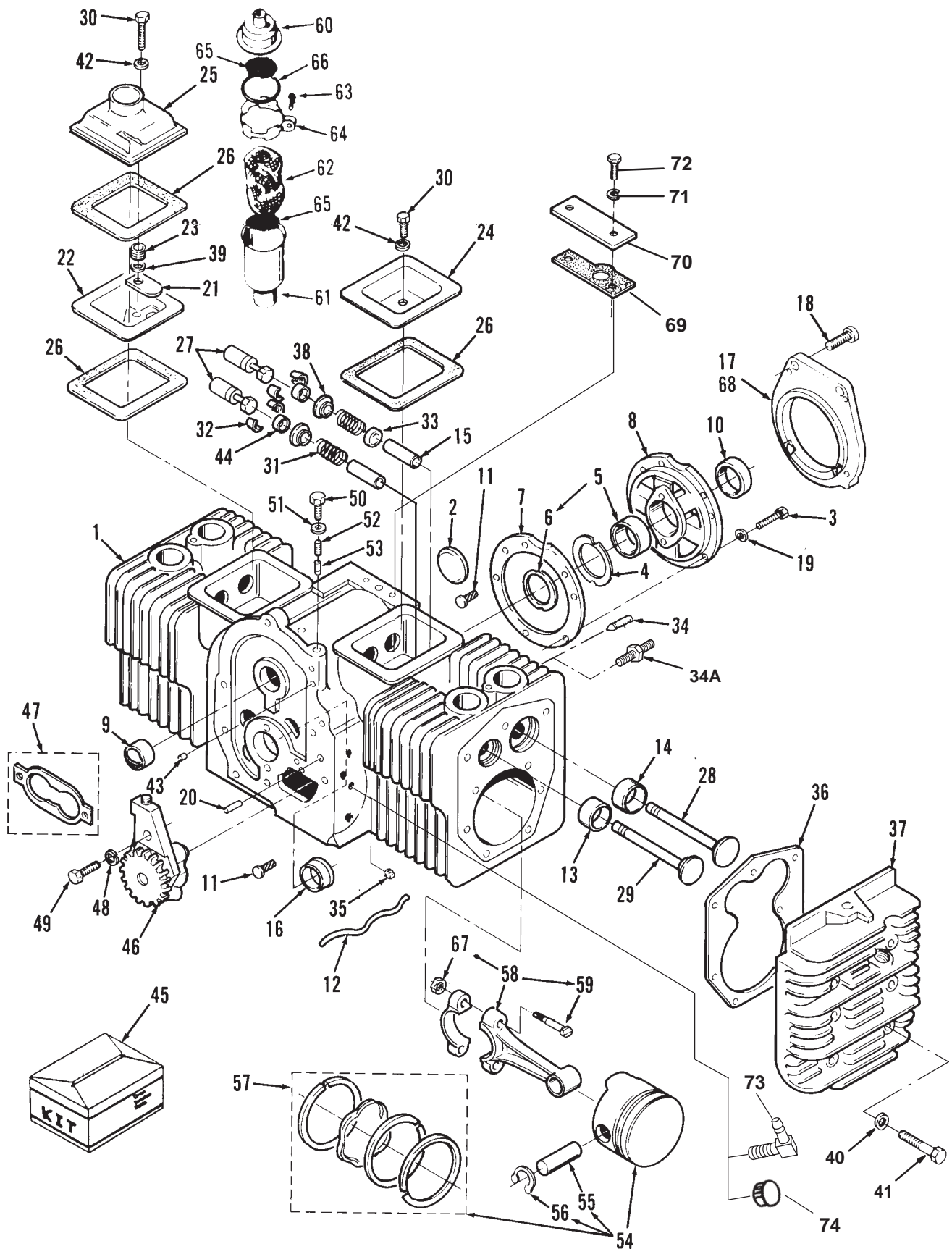
Cylinder Block



Cylinder Block

REF NO.	PART NO.	QTY USED	PART DESCRIPTION	REF NO.	PART NO.	QTY USED	PART DESCRIPTION
1		1	Block, Cylinder (See Short Block Catalog #932-0109)	19	526-0402	5	Washer, Flat (.395 Screw)
2	517-0048-01	1	Plug, Camshaft Welch Opening (1-5/8")	20	516-0141	2	Pin, Gear Cover Alignment
3	800-0051	5	Screw, Hex Head Cap (3/8-16 x 1-1/4")	21	123-1175	1	Reed, Breather Valve Specs A, B
4			Shim, Crankshaft End Play (Use as Required)	22	123-1173	1	Baffle, Breather Valve Specs A, B
	104-0776	1	.005"	23	123-1174	1	Spring, Breather Valve Specs A, B
	104-0776-01	1	.003"	24	110-1879-01	1	Cover, RH Valve - Spec A,B
5			Bearing, Rear Crankshaft (Includes Thrust Washer)	25	110-3637-01	1	Cover, LH Valve - Begin Spec C - Zinc-Plated
	101-0804	1	Standard	26			Gasket, Valve Cover Spec A, B
	101-0804-02	1	.002" Undersize		110-3709	3	Begin Spec C
	101-0804-10	1	.010" Undersize	27	115-0006	4	Tappet, Standard Valve
	101-0804-20	1	.020" Undersize	28	110-3479	2	Valve, Intake
	101-0804-30	1	.030" Undersize	29	110-3480	2	Valve, Exhaust
6	104-0575	1	Washer, Thrust	30	800-0010	2	Screw, Hex Head Cap (1/4-20 x 1-3/4")
7	101-0809	1	Gasket, Bearing Plate	31	110-3485	4	Spring, Valve
8			Plate, Rear Bearing	32	110-3511	8	Lock, Valve Spring
	101-0439-01	1	Cadmium Plated Code 11AH,11AV	33	509-0289	2	Seal, Intake Valve
	101-0551-01	1	4 Boss - Code 11AK	34	803-0071	2	Screw, Set Socket (3/8-16 x 5/8") (Use W/O Remote Oil Filter)
	101-0437-01	1	SAE-A - Zinc Plated - Code 11AP	34A	520-0820	2	Stud, Mounting (3/8-16 x 1-11/16) (Use with Remote Oil Filter)
9	101-0405	2	Bearing, Camshaft				
10	509-0041	1	Seal, Crankshaft Rear Oil				
11	516-0072	4	Pin, Bearing Stop Drive				
12	120-1320	1	Tube, Oil	35	505-0057	1	Plug, Pipe - Code 17CE
13			Insert, Exhaust Valve Seat	36	110-3181	2	Gasket, Cylinder Head
	110-1824	2	Standard	37			Head, Cylinder
	110-1824-02	2	.002" Oversize		110-3509	1	Right Side
	110-1824-05	2	.005" Oversize		110-3508	1	Left Side
	110-1824-10	2	.010" Oversize	38	110-3487	4	Washer, Valve Spring Retaining
	110-1824-25	2	.025" Oversize	39	526-0018	1	Washer, Flat (1/4" Screw)
14			Insert, Intake Valve Seat	40	526-0122	18	Washer, Flat (5/16" Screw)
	110-0197	2	Standard	41	800-0571	18	Screw, Hex Head Cap (Special) 2.0" Long
	110-0197-02	2	.002" Oversize	42	526-0063	2	Washer, Copper Flat (1/4" Screw)
	110-0197-05	2	.005" Oversize				
	110-0197-10	2	.010" Oversize	43	517-0067	1	Plug, Core Hole (Specs A, B)
	110-0197-25	2	.025" Oversize	44	110-3510	4	Cap, Valve
15			Guide, Valve	45			Kit, Gasket
	110-3527	2	Exhaust		168-0187	1	Engine, Complete
	110-3526	2	Intake		168-0189	1	Valve Grind/Carbon Removal
16			Bearing, Front Crankshaft (Flanged)	46	120-0491	1	Pump, Oil (Components Not Sold Separately)
	101-0805	1	Standard	47	120-0161	1	Gasket Kit, Oil Pump
	101-0805-02	1	.002" Undersize	48	740-1004	2	Washer, Flat (M6)
	101-0805-10	1	.010" Undersize	49	800-0007	2	Screw, Hex Head Cap (1/4-20x1")
	101-0805-20	1	.020" Undersize				
	101-0805-30	1	.030" Undersize	50	801-0049	1	Screw, Hex Head Cap (3/8-24 x 7/8")
17	101-0761	1	Adapter, Bearing Plate Code 11BH				
18			Screw	51	526-0066	1	Washer, Copper Flat (3/8" Screw)
	815-0682	4	Socket Head (Special) Code 11BH	52	120-0140	1	Spring, Bypass Valve
	800-0515	5	Cap, Hex Head (Special) Code 11BF	53	120-0398	1	Plunger, Bypass Valve
	800-0515	4	Cap, Hex Head (Special) Code 11BE, 11AR				

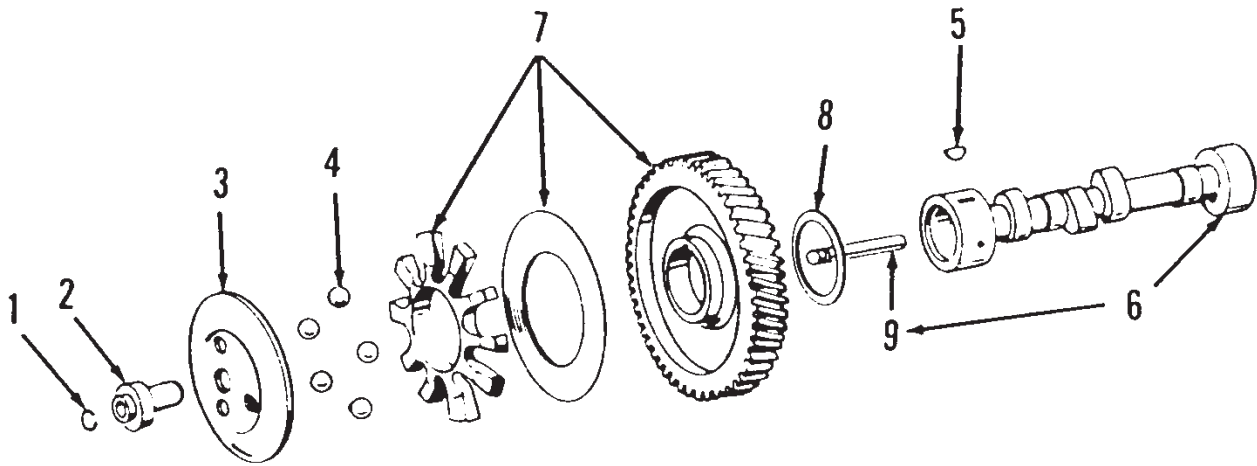
Cylinder Block



Cylinder Block

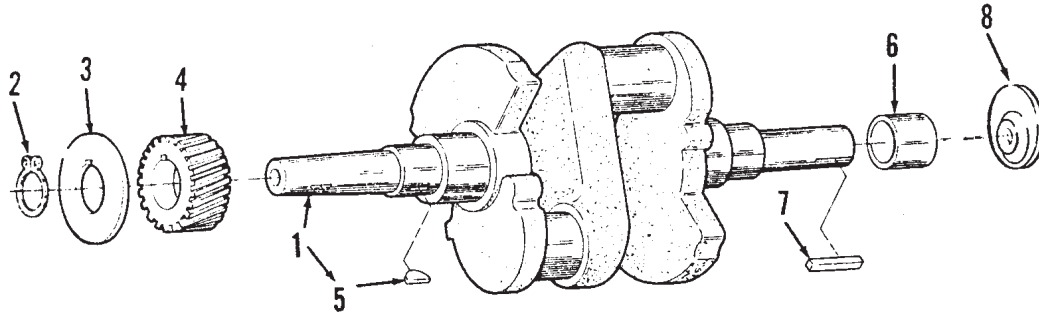
REF NO.	PART NO.	QTY USED	PART DESCRIPTION	REF NO.	PART NO.	QTY USED	PART DESCRIPTION
54			Piston (Includes Pin and Retaining Rings)	61	123-0952	1	Tube, Breather – Begin Spec C
	112-0264	2	Standard	62	123-1871	1	Baffle, Breather Tube (Begin Spec C)
	112-0264-05	2	.005" Oversize	63	809-0035	1	Screw, Round Head Tapping (#8 x 3/4") – Begin Spec C
	112-0264-01	2	.010" Oversize	64	123-0951	1	Clamp, Loop – Begin Spec C
	112-0264-02	2	.020" Oversize	65	123-0958	2	Screen, Breather Tube
	112-0264-03	2	.030" Oversize				Begin Spec C
55	112-0229	2	Pin, Piston	66	509-0117	1	Seal, Breather Cap O-Ring
56	518-0311	4	Ring, Retaining				Begin Spec C
57			Kit, Piston Ring	67			Nut
			Specs A-C		870-0302	4	Hex, Crown Lock
	113-0314	2	Standard		870-0533	4	Flange, Hex
	113-0314-05	2	.005" Oversize	68			Adapter, Hydraulic Pump
	113-0314-10	2	.010" Oversize		101-0766-01	1	Code 11BE
	113-0314-20	2	.020" Oversize		101-0766-02	1	Code 11BF
	113-0314-30	2	.030" Oversize		517-0120	1	Plug, Breather Hole – Begin Spec C (Not Shown) (Use W/O Fuel Pump)
			Begin Spec D	69	160-1368	1	Gasket, Plate
	113-0310	2	Standard	70	160-1345-01	1	Plate, Ignition Plunger Cover – Zinc Plated
	113-0310-05	2	.005" Oversize				Washer, Flat (M6)
	113-0310-01	2	.010" Oversize				Screw, Cap Hex Head (1/4-20 x 5/8")
	113-0310-02	2	.020" Oversize	71	740-1004	2	Elbow
	113-0310-03	2	.030" Oversize	72	800-0004	2	Plug, Breather Hole
58			Rod, Connecting (Includes Bolt and Nut)				
			P216	73	502-1252	1	
	114-0394	2	Standard	74	517-0120	1	
	114-0394-10	2	.010" Undersize				
	114-0394-20	2	.020" Undersize				
	114-0394-30	2	.030" Undersize				
			P218, P220				
	114-0397	2	Standard				
	114-0397-10	2	.010" Undersize				
	114-0397-20	2	.020" Undersize				
	114-0397-30	2	.030" Undersize				
59	114-0392	4	Bolt, Connecting Rod (Special)				
60	123-0954	1	Cap and Valve, Breather				
			Begin Spec C				

Camshaft



REF NO.	PART NO.	QTY USED	PART DESCRIPTION	REF NO.	PART NO.	QTY USED	PART DESCRIPTION
1	150-0078	1	Ring, Retaining	6			Camshaft (Includes Center Pin)
2	150-1519	1	Hub, Governor Cup	105-0637	1		P216, P218 P220
3	150-1520	1	Cup, Governor	105-0639	1		All Specs Except 11212
4			Ball, Governor	105-0718	1		Spec 11212 Only
	510-0015	5	Codes 13BG, 13BM, 13BN, 13BP, 13BR, 13BS, 13BT, 13BV, 13BW 13CB, 13CE, 13CM,13CR, 13DB	7	105-0700	1	Gear, Camshaft (Includes Gear, Spacer and Plate)
	510-0015	10	Code 13CH (Use with 13CF)	8	105-0541	1	Washer, Special Thrust
5	515-0001	1	Key, Camshaft Gear Woodruff	9	150-0075	1	Pin, Center

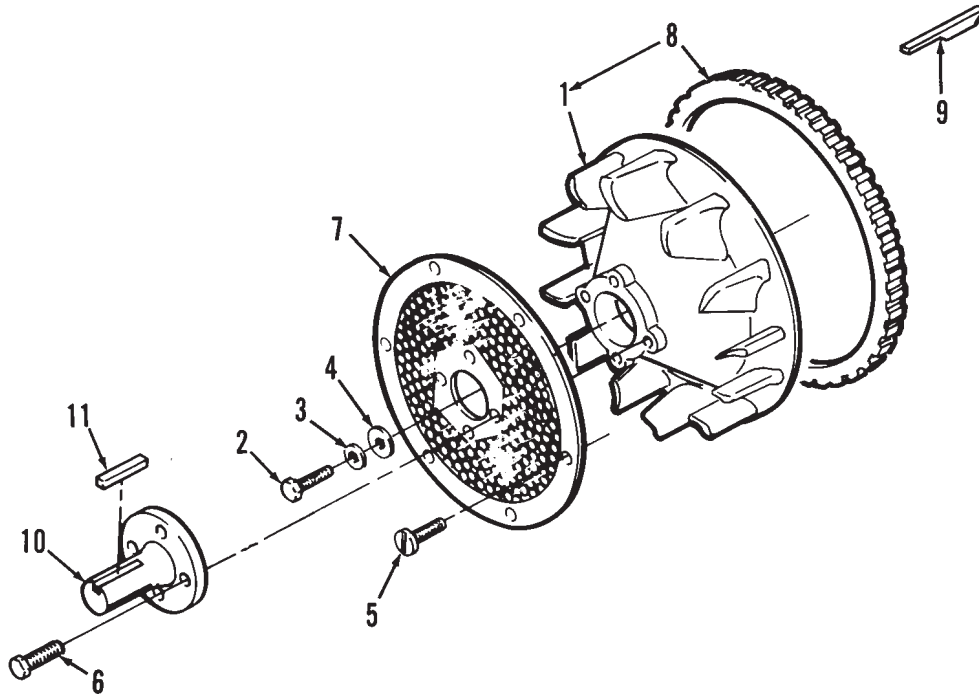
Crankshaft



REF NO.	PART NO.	QTY USED	PART DESCRIPTION	REF NO.	PART NO.	QTY USED	PART DESCRIPTION
1			Crankshaft P216	2	518-0014	1	Ring, Retaining
	104-1887	1	* Code 45BB	3	104-0043	1	Washer, Gear Retaining Special
	104-1332	1	* Code 45BC	4	104-0032	1	Gear, Crankshaft
	104-1699	1	* Code 45BD,45BE,45BW	5	515-0001	1	Key, Crankshaft Gear
	104-1331	1	* Code 45BF	6	190-0267	1	Sleeve, Bearing – Code 45BP
	104-1621	1	Code 45BG	7			Key
	104-1535	1	Code 45BH		515-0198	1	Square (3/8 x 3/8 x 2-1/2") Code 45BW
	104-1333	1	* Code 45BS		515-0103	1	Woodruff (1/4 x 1/4 x 2") Code 45BC, 45BS, 45BT
	104-0901	1	Code 45BT		515-0230	1	Square, Code 45BD, 45BW (3/8 x 3/8 x 2")
	104-0900	1	Code 45BU		515-0263	1	Kit, Key – Code 45BC, 45BF, 45BH, 45BP, 45BS, 45BT, 45BZ, 45CA, 45CE
	104-1432	1	* Code 45BZ		515-0146	1	Woodruff, #18 (1/4 x 1-1/8") Code 45BP
	104-1330	1	* Code 45CA		515-0301	1	Code 45CE
			P218, P220	8	104-1712	1	Weight, Balance – Code 45BL
	104-1351	1	* Code 45BB				
	104-1443	1	* Code 45BC				
	104-1700	1	* Code 45BD,45BE				
	104-1348	1	* Code 45BF				
	104-1693	1	Code 45BG				
	104-1502	1	* Code 45BH				
	104-1735	1	Code 45BJ				
	104-1352	1	* Code 45BP				
	104-1349	1	* Code 45BS				
	104-1364	1	* Code 45BT				
	104-1167	1	Code 45BU				
	104-1575	1	Code 45BY				
	104-1354	1	* Code 45CA				
	104-0983-01	1	Code 45CC				
	104-1768	1	* Code 45CE				
	104-1787	1	Code 45EA				
	104-1871	1	Code 45ED				
	104-1873	1	Code 45EE				
	104-1939	1	Code 45EH				

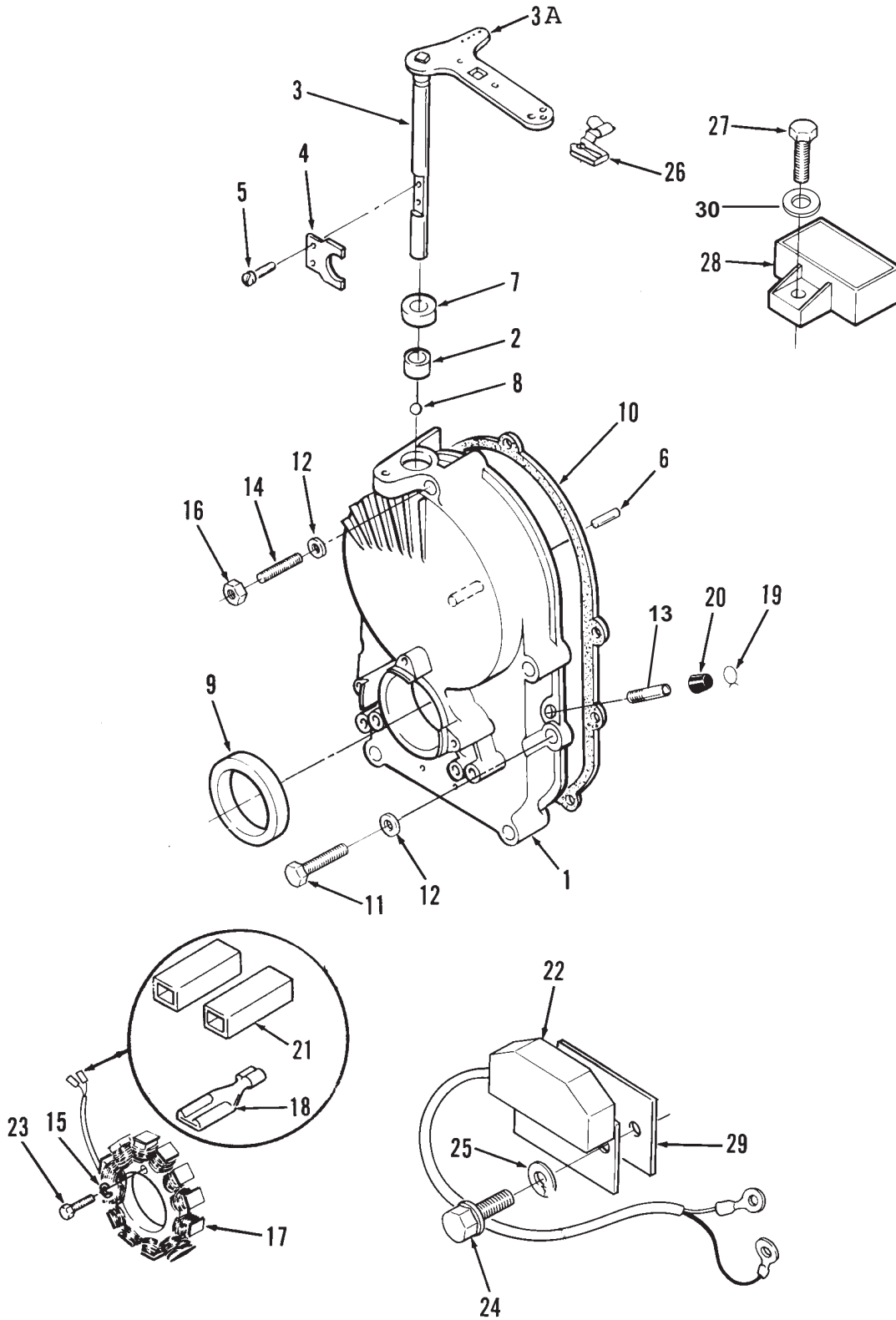
* Includes Keys.

Blower Wheel With Screen



REF NO.	PART NO.	QTY USED	PART DESCRIPTION	REF NO.	PART NO.	QTY USED	PART DESCRIPTION
1			Flywheel (Includes Ring Gear)	6	800-0030	4	Screw, Hex Head Cap (5/16-18 x 1.25") - OEM Supplied On Code 23EL
	134-4633	1	Code 31AZ, 31BC, 23DJ, 23DC, 23EF, 31BD	7	134-4553-50	1	Screen, Air Inlet Code 31AZ, 23DC, 23EF - Painted
	134-4705	1	Code 23DD	8	104-0779	1	Gear, Ring
2	104-0170	1	Screw, Hex Head Cap (Special)	9	515-0284	1	Key, Flywheel
3	526-0356	1	Washer, Flat (7/16" Screw)	10	190-0687	1	Shaft, PTO - 1" Diameter
4	526-0017	1	Washer, Flat (7/16" Screw)	11	515-0007	1	Key, Machine (1/4 x 2")
5	815-0687	6	Screw, Flange Lock Head (#10-24 x 3/8")				

Gearcase, Ignition Control, Alternator and Regulator

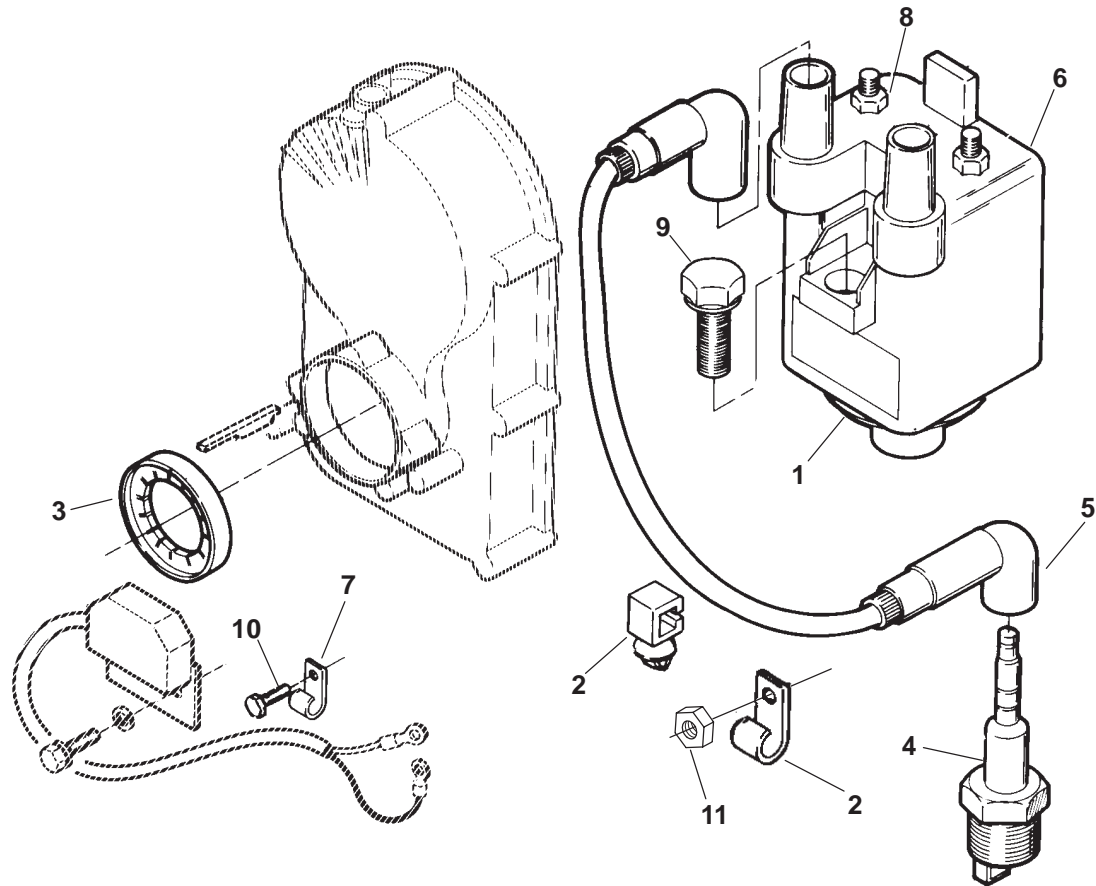


Gearcase, Ignition Control, Alternator and Regulator

REF NO.	PART NO.	QTY USED	PART DESCRIPTION	REF NO.	PART NO.	QTY USED	PART DESCRIPTION
1			Gearcase (Kit) (Includes Parts Marked*)	18	332-2423	3	Terminal, Stator Leads Code 31AZ,47AW – Use Qty. 2
	103-0791	1	W/Sleeve Bearing	19	503-0301	1	*Clamp, Vacuum Port Cap
	103-0799	1	W/Needle Bearing	20	149-1321	1	*Cap, Vacuum Port – Spec A,B
2	510-0105	1	*Bearing, Governor Shaft	21	191-2104	2	Body, Terminal Connector Kit (Includes Terminals) Code 31AZ
3			*Shaft and Arm, Governor Case Hardened				Control, Ignition
	150-1470-01	1					12 Volt
	150-1422	1	Code 31AZ, 31BD Begin Spec C	22			24 Volt – Code 31BD
3A	150-1007	1	Arm, Governor Spec A,B		166-0785	1	
4	150-1187	1	*Yoke, Governor Shaft		166-0800	1	
5	815-0046	2	*Screw, Pan Head Machine (8-32 x 3/8")	23	815-0172	3	Screw, Hex Head Machine Self-Lock (#10-32 x 1") Code 31AZ,31BC
6	516-0130	1	*Pin, Governor Cup Dowel Stop	24	815-0340	2	Screw, Hex Washer Head (10-32 x 3/8")
7	509-0008	1	*Seal, Governor Shaft Oil	25	854-0010	2	Washer, IT Lock (#10)
8	510-0014	1	*Ball, Governor Bearing Shaft	26	518-0637	1	Clip, Control Retaining Rod To Governor Shaft
9	509-0040	1	*Seal, Crankshaft Oil	27	821-0015	1	Screw, Lock Head (1/4-20 x 1/2")
10	103-0810	1	Gasket, Gearcase Mounting				Regulator, Voltage
11	114-0022	4	Screw, Hex Head Cap (5/16-18 x 1-3/4")	28			35 Ampere – Code 31BC
12	526-0065	5	Washer, Copper Flat (5/16" Screw)		191-1847	1	20 Ampere – Code 23DK, 31AZ, 23EH
13	149-1299	1	*Tube, Vacuum Port (1.5" Long)	29	166-0786	1	Insulator, Module Ignition
14	520-0933	1	Stud, Gear Cover	30	853-0013	1	Washer, ET Lock
15	850-0030	3	Washer, Lock (#10) – Code 31AZ				
16	862-0015	1	Nut, Hex (5/16-18)				
17			Stator (Includes Terminals)				
	191-1276	1	Code 31BC (35A)				
	191-1456	1	Code 31AZ (20A)				

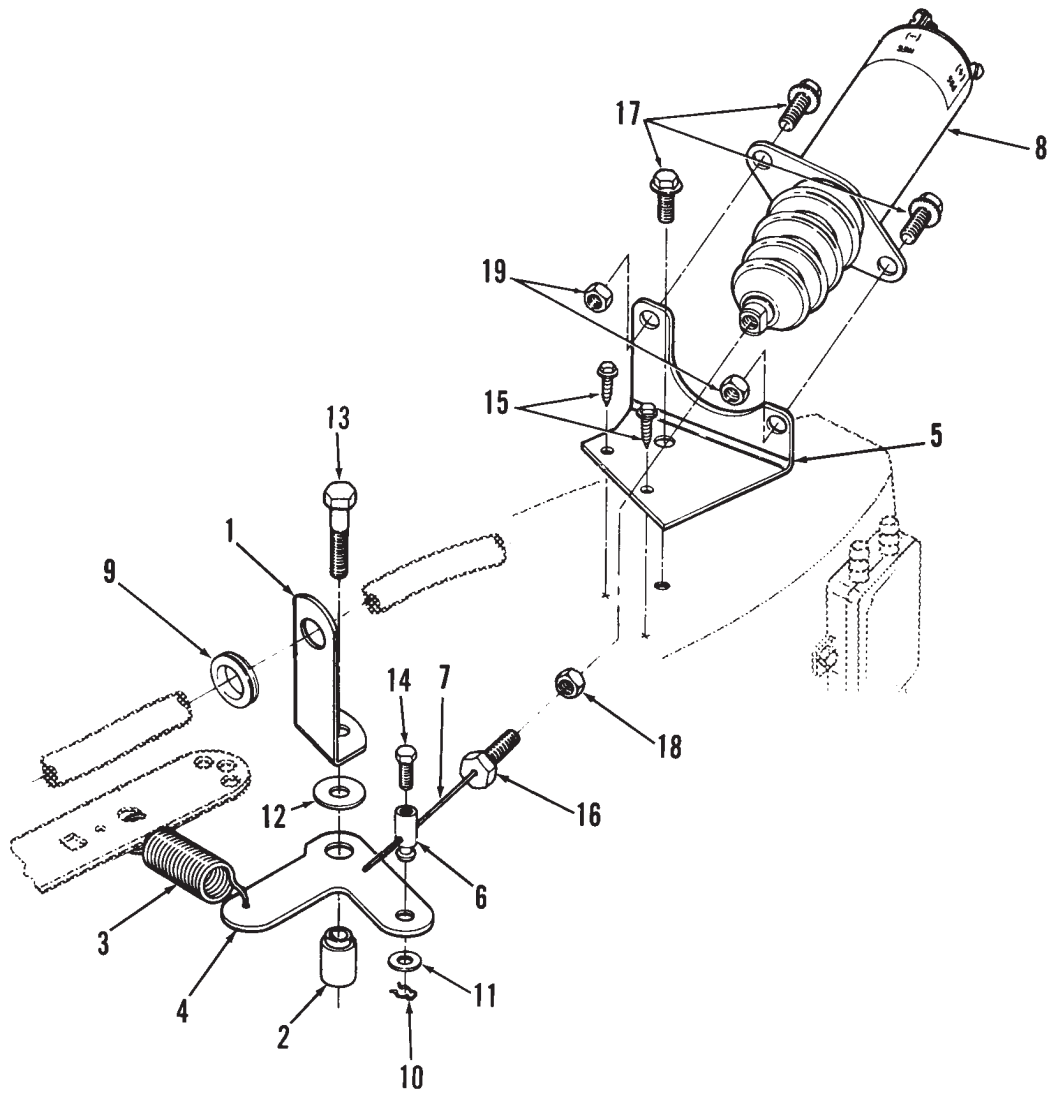
* – Parts Included in Gearcase.

Electronic Ignition



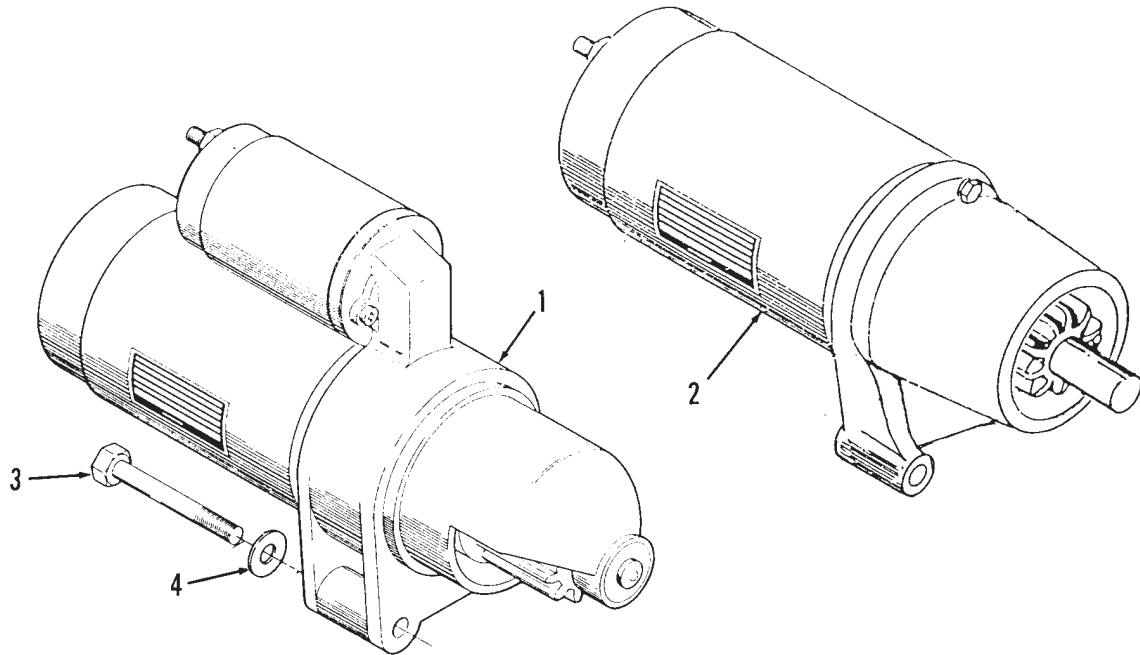
REF NO.	PART NO.	QTY USED	PART DESCRIPTION	REF NO.	PART NO.	QTY USED	PART DESCRIPTION
1			Coil, Battery Ignition (Includes Nuts)	6	166-0770	1	Nut, Hex Flange (M4 Positive Terminal)
	166-0761	1	Spec A-G	7	518-0515	2	Clip, Wire
	166-0820	1	Begin Spec H	8	166-0771	1	Nut, Hex Flange (M5 Negative Terminal)
2			Clip, Wire (Attach To Spark Plug Wire)	9	815-0650	2	Screw, Hex Washer Head (1/4-20 x 1")
	332-2904	1	Square	10	114-0022	2	Screw, Hex Head Cap (5/16-18 x 1-3/4")
	332-2650	1	Loop	11	870-0212	1	Nut, Self Lock
3	166-0767	1	Rotor, Ignition				
4	167-0272	2	Plug, Spark				
5			Cable, Spark Plug				
	167-1615-01	1	9" Long				
	167-1615-04	1	18.5" Long				

Two Speed Governor



REF NO.	PART NO.	QTY USED	PART DESCRIPTION	REF NO.	PART NO.	QTY USED	PART DESCRIPTION
1	149-2366	1	Bracket, Fuel Line	13	114-0023	1	Screw, Hex Head Cap (Special)
2	150-1727	1	Bushing, Governor Control	14	800-4072	1	Screw, Hex Head Machine (M4)
3	150-1740	1	Spring, Governor	15	815-0439	2	Screw, Hex Washer Head Cap (#8-15 x 1/2")
4	150-2498	1	Bracket, Governor	16	815-0800	1	Screw, Hex Head - Grade 5 (1/4-28 x 1")
5	150-2499	1	Bracket, Solenoid Mounting	17	821-0010	3	Screw, Lock Head (1/4-20 x 1/2")
6	153-0632	1	Swivel, Choke Lever	18	115-0025	1	Nut, Hex (1/4-28)
7	153-0678	1	Cable (Includes Bolt)	19	870-0212	2	Nut, Lock (1/4-20)
8	307-2758	1	Solenoid, 2 Speed Governor				
9	508-0021	1	Grommet, Rubber				
10	516-0059	1	Pin, Cotter				
11	526-0006	1	Washer, Flat (#12 Screw)				
12	526-0021	1	Washer, Flat (1/4" Screw)				

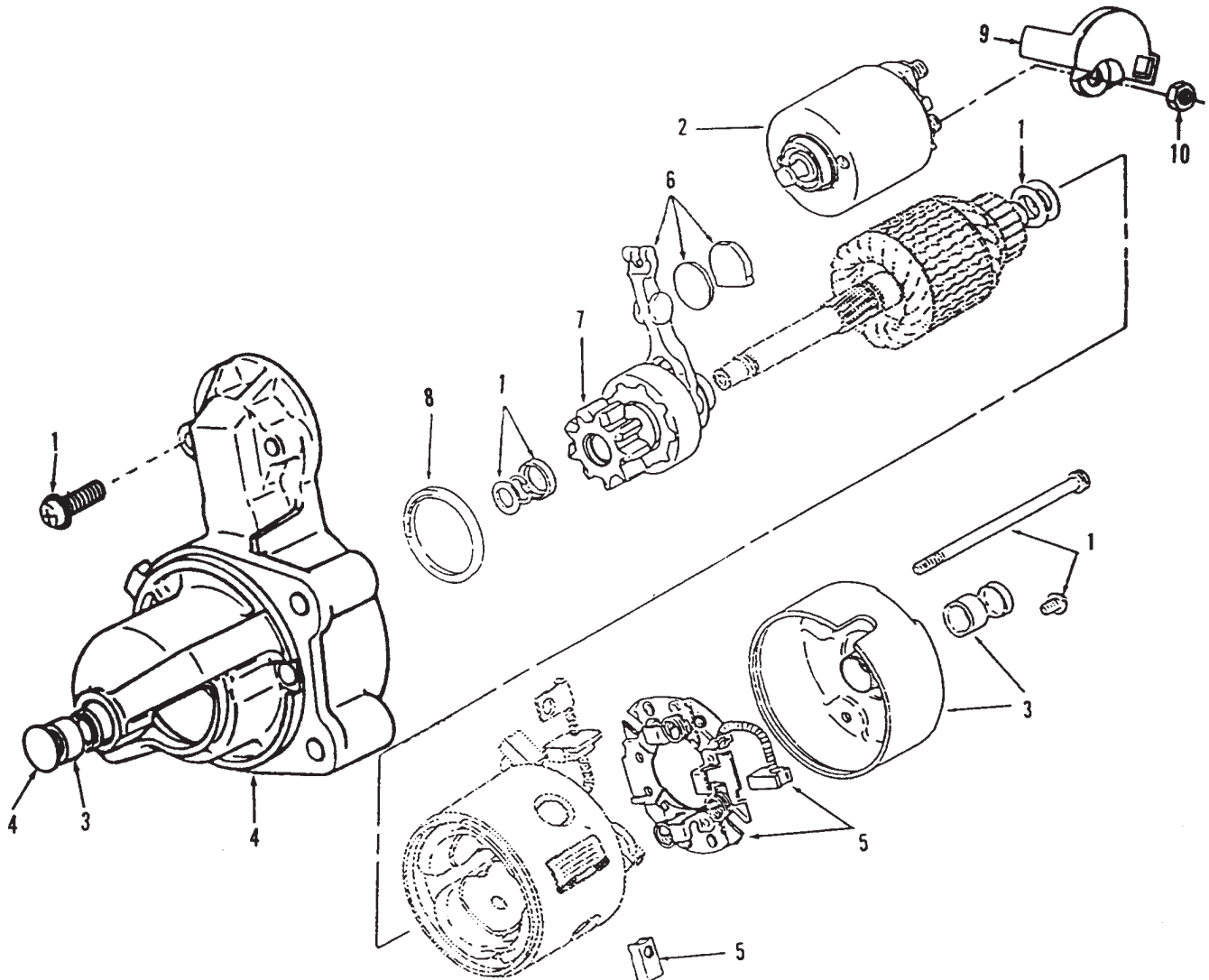
Starter



REF NO.	PART NO.	QTY USED	PART DESCRIPTION	REF NO.	PART NO.	QTY USED	PART DESCRIPTION
1			Starter, Solenoid Shift (See Separate Page for Components)	3	800-0595	2	Screw, Cap Hex Head (5/16-18 x 3-1/2")
	191-1949-04	1	Code 33AT, 33BF	4	526-0122	2	Washer, Flat (5/16" Screw) Inside Mounting Bolt
	191-1949-05	1	Code 33AS, 33BA				
	191-1949-07	1	Code 33AW				
2	191-1828	1	Starter, Inertia (Bendix) Type (See Separate Page For Components) - Code 33AV				

NOTE: Onan Part Number Stamped on the Starter Nameplate for Identification.

Starter Components (191-1949-05 & 191-1949-07)

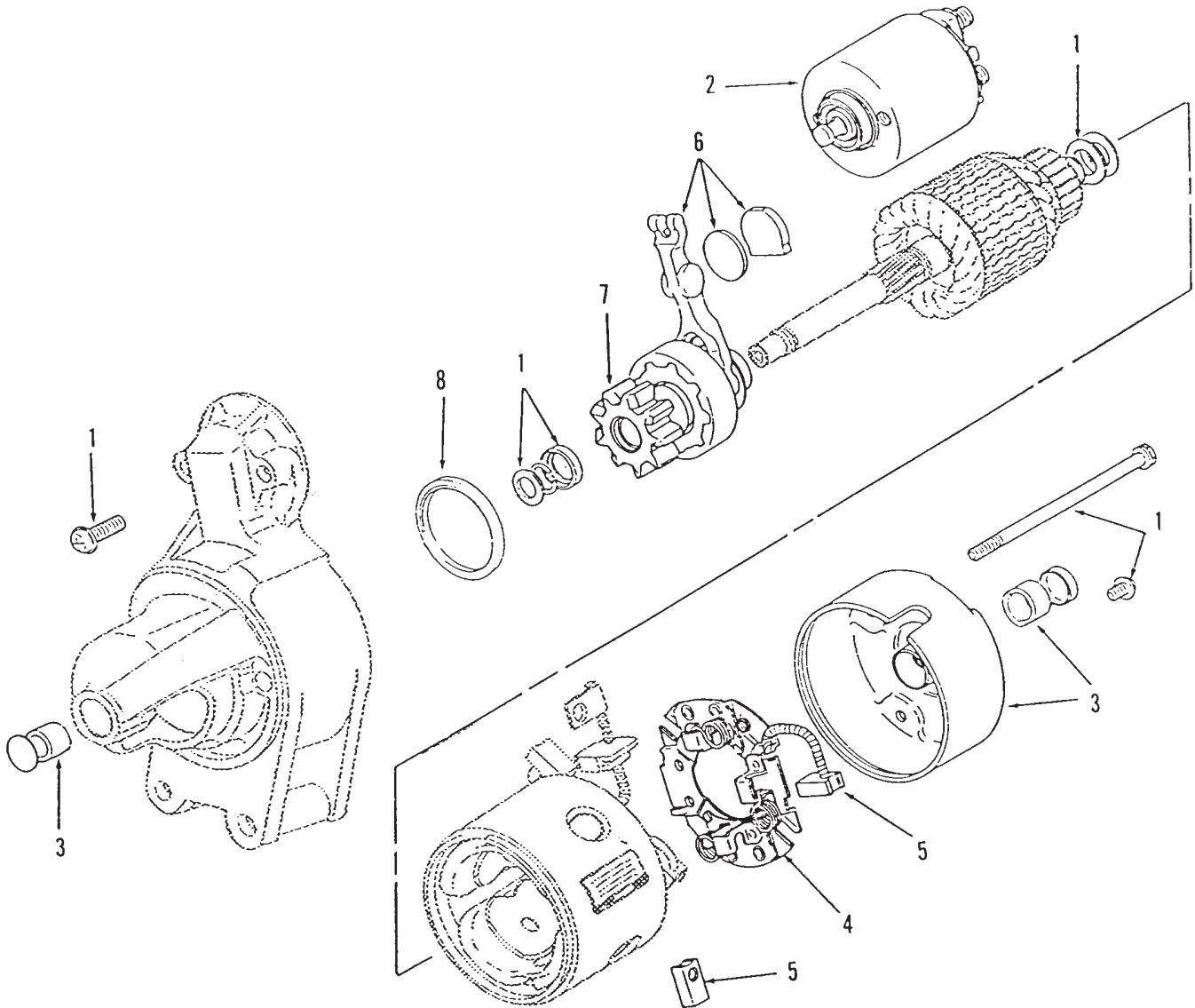


REF NO.	PART NO.	QTY USED	PART DESCRIPTION	REF NO.	PART NO.	QTY USED	PART DESCRIPTION
1	191-1954	1	Kit, Starter Hardware (Includes (2) Solenoid Mtg Screws, 2 Thru Bolts, Armature Shims, Pinion Stop Collar, Retaining Ring and Solenoid Terminal Nuts)	6	191-1766	1	Kit, Starter Shift Lever (Includes Lever, Wear Plate, Rubber Plug and Grease)
2	191-1956	1	Kit, Starter Solenoid (Includes Solenoid and Spring Plunger)	7	191-1953	1	Kit, Starter Clutch (Includes Pinion Gear and Clutch Assembly)
3	191-1931	1	Kit, Starter Bushing (Includes Rear Cap with Bushing and Front Bushing)	8	191-1955	1	Kit, Dust Seal (Includes ID, OD Pinion Seals)
4			Kit, Mounting Bracket (Includes Front Bracket, Front Bushing, Dust Seal, Thrust Washer, Cap Plug and OD Pinion Seal)	9	191-1947	1	Cap, Starter Solenoid
	191-1950	1	Code 33AT, 33AW, 33BF	10	750-1006	1	Nut, Metric Hex (M8)
	191-1952	1	Code 33AS, 33BA				
5	191-1951	1	Kit, Starter Brush (Includes (2) Negative and (2) Positive Brushes and Brush Holder)				

NOTE: Phantom Items Not For Sale, For Replacement Order Complete Starter.

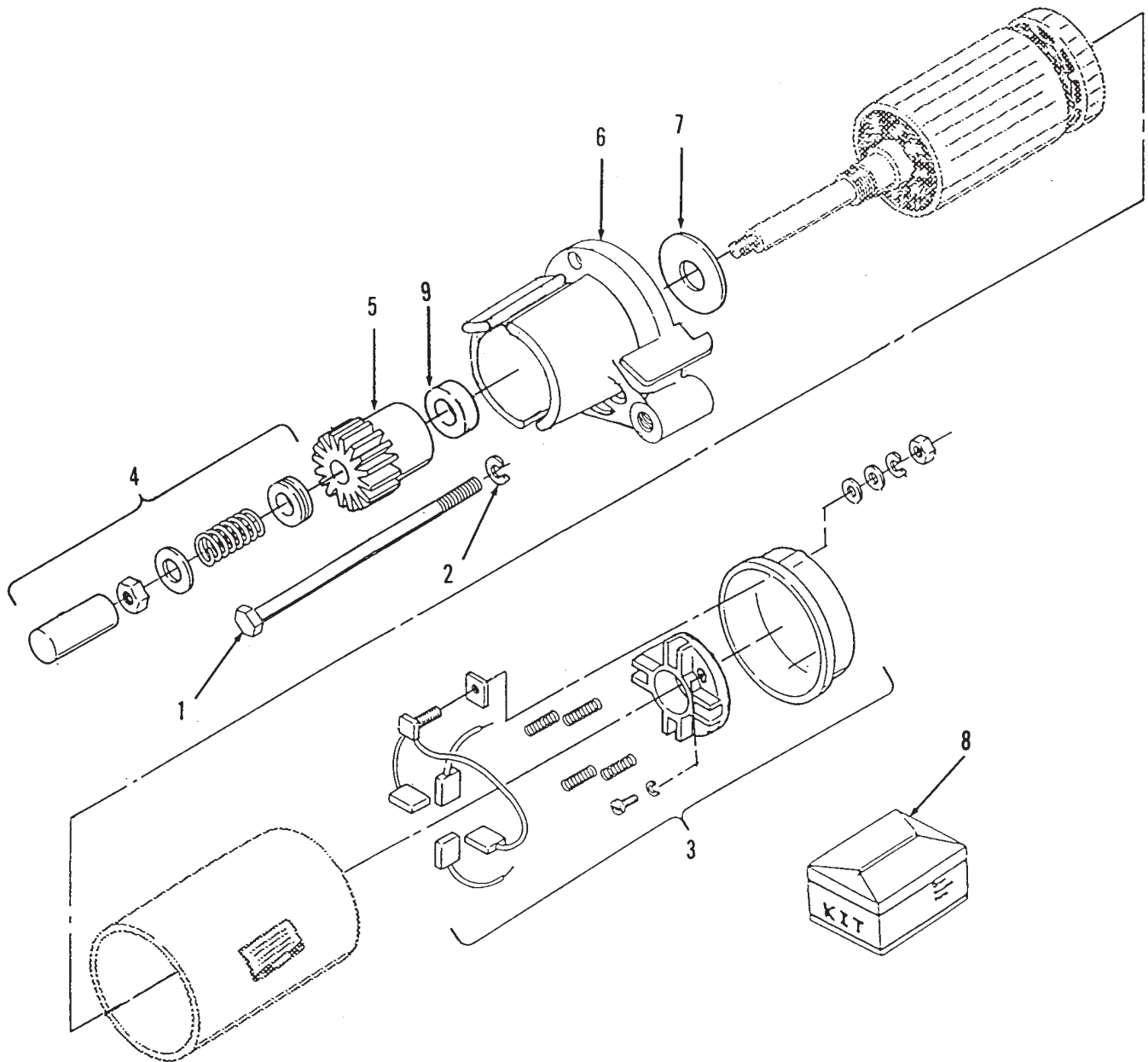
NOTE: Onan Part Number Stamped on the Starter Nameplate for Identification.

Starter Components (191-1808-04 & 191-1808-05)



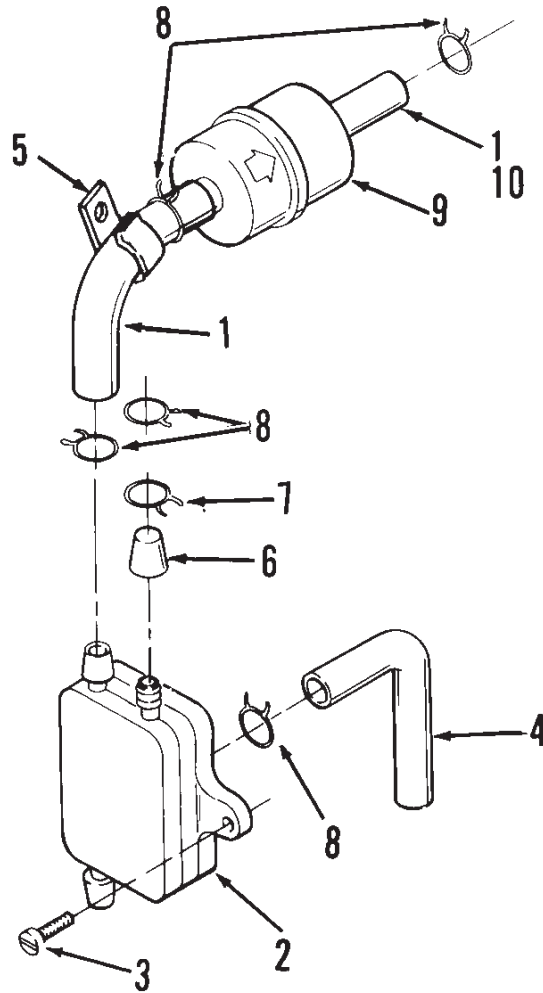
REF NO.	PART NO.	QTY USED	PART DESCRIPTION	REF NO.	PART NO.	QTY USED	PART DESCRIPTION
1	191-1954	1	Kit, Starter Hardware (Includes (2) Solenoid Mtg Screws, 2 Thru Bolts, Armature Shims, Pinion Collar and Retaining Ring)	6	191-1766	1	Kit, Starter Shift Lever (Includes Lever, Wear Plate and Rubber Plug)
2	191-1956	1	Kit, Starter Solenoid (Includes Solenoid and Spring Plunger)	7	191-1953	1	Clutch Assembly, Starter (Includes Pinion Gear)
3	191-1931	1	Kit, Starter Bushing (Includes Rear Cap with Bushing and Front Bushing)	8	191-1955	1	Seal, Dust
4	191-1764	1	Holder, Brush (Includes Negative Brush)	NOTE: Phantom Items Not For Sale, For Replacement Order Complete Starter. NOTE: Onan Part Number Stamped on the Starter Nameplate for Identification.			
5	191-1763	1	Kit, Starter Brush (Includes (2) Negative and (1) Positive Brushes)				

Starter Components (191-1828)



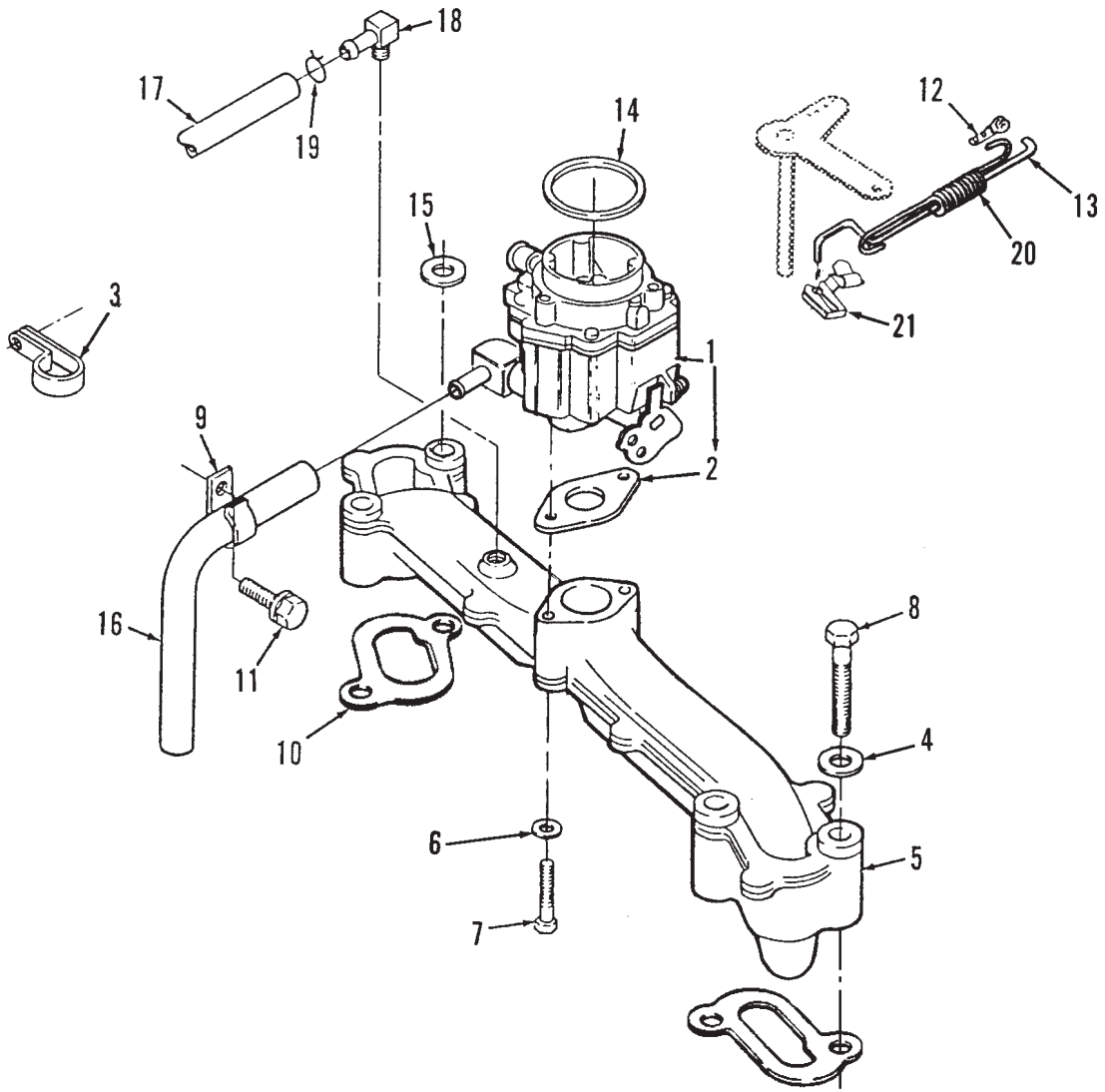
REF NO.	PART NO.	QTY USED	PART DESCRIPTION	REF NO.	PART NO.	QTY USED	PART DESCRIPTION
1	191-1048	2	Bolt, Hex Head	7	191-1038	1	Washer, Thrust
2	870-0438	2	Retainer, Bolt	8	191-1841	1	Kit, Repair (Includes Brush with Stud, Springs and Brushes)
3	191-1532	1	Cap Assy, End (Includes Cap, Brushholder, Springs, Brushes, Terminal Hardware)	9	191-1534	1	Seal, Dust
4	191-1359	1	Cover Assy (Includes Dust Cover, Spring, Spacer, Nut and Washer)	NOTE: Phantom Items Not For Sale, For Replacement Order Complete Starter. NOTE: Onan Part Number Stamped on the Starter Nameplate for Identification.			
5	191-1156	1	Gear, Drive				
6	191-1671	1	Plate, Front End Cap				

Fuel Pump and Filter



REF NO.	PART NO.	QTY USED	PART DESCRIPTION	REF NO.	PART NO.	QTY USED	PART DESCRIPTION
1	503-0707	1	Hose (Cut to Length) 12", 9.5"	6	149-1321	1	Cap, Fuel Fitting Code 13BJ, 13CG, 15AZ, 15BL
	503-1016	1	8" (Code 13DA Only)				
2			Pump, Fuel Code 15AZ, 15BA, 15BL, 15BR				
	149-1982	1	Top or Bottom Inlet, Top Outlet				
	149-2187-02	1	Top Inlet, Top Outlet Code 15CY	7	503-0301	1	Clamp, Hose - Code 15AZ, 15BL, 13BJ
	149-2501-00	1	Top Inlet, Bottom Outlet	8	503-0731	6	Clamp, Hose (1/2") With Fuel Filter
	149-2501-01	1	Bottom Inlet, Bottom Outlet				
3	815-0555	2	Screw, Pan Head Tapping (10-24 x 5/8") Code 15AZ, 15BA, 15BL, 15BM	9	503-0731	4	Clamp, Hose (1/2") Without Fuel Filter
4			Line, Pulse				
	503-0707	1	Cut to 7" Long (Code 13CD, 13CG, 15AZ, 15BA 15BL, 15BM)	10	503-1199	1	Filter, Fuel Code 15BZ
	503-1865-01	1	10-1/4" (Code 15CY)				
5	518-0515	1	Clip, Wire - Code 15BZ, 15AZ, 15BL, 13CD, 13BJ				
				11	503-1593	1	Hose, Fuel 21" (Code 13BJ)
				12	149-1308	3	5-1/2" (Code 13DA, 15CM)
				13	149-2500	1	Hose, Fuel (Out)
							Spring, Hose
							Bracket, Mounting

Fuel System Gasoline

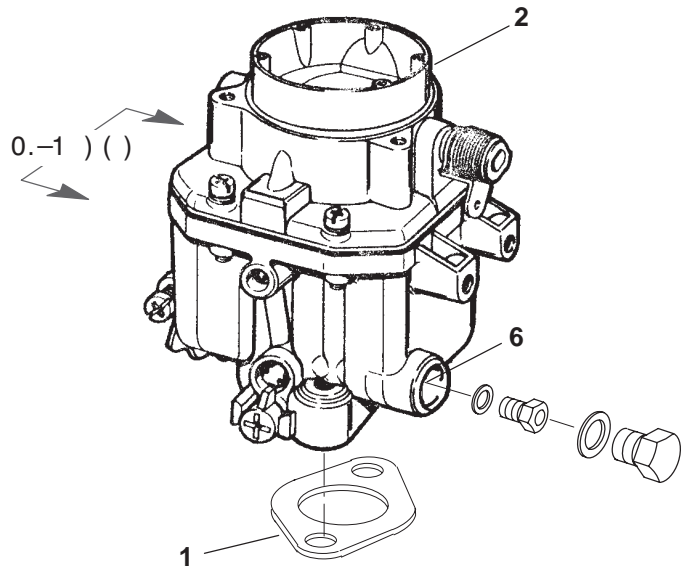
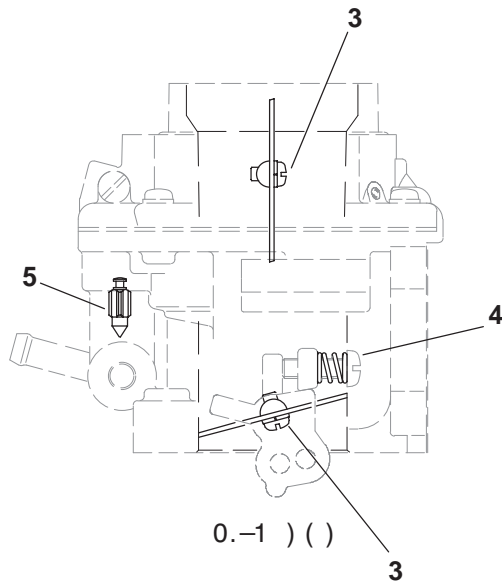


10

Fuel System Gasoline

REF NO.	PART NO.	QTY USED	PART DESCRIPTION	REF NO.	PART NO.	QTY USED	PART DESCRIPTION
1			Kit, Carburetor (Includes Mounting Gaskets) (See Separate Page for Components) P216, P218 Spec A-F	9	518-0515	1	Clip, Fuel Line Wire
	146-0495	1	All Specs Except 11140 (Also Includes Elbow and O-Ring)	10	154-2495	2	Gasket, Manifold To Block
	146-0506	1	Spec 11140 Only (Does Not Include Gaskets)	11	815-0474	1	Screw, Hex Washer Head (1/4-14 x 1/2")
	146-0659	1	Begin Spec G P220 Spec A-F	12	518-0004	1	Clip, Retaining - Control Rod To Carburetor (Use only with Old Governor Rod)
	146-0496	1	All Specs Except 11212 (Also Includes Elbow and O-Ring)	13			Rod, Governor Control Zinc Plated - P216, P220 P218
	146-0613	1	Spec 11212 Only Begin Spec G	150-2460	1		
	146-0660	1	All Specs Except 11212	150-2364	1		
	146-0661	1	Spec 11212 Only	150-2593-02	1		P218 - Code 15CL/P216 - Code 15BD, 19BC
2	154-0733	1	Gasket, Carburetor	14	509-0145	1	O-Ring
3	332-1554	1	Clamp, Insulated (Fits 1/2" Diameter Tube) - Code 23DZ	15	526-0113	1	Washer, Flat (5/16" Screw)
4	740-1006	4	Washer, Flat (M8) - Code 15BD, 15CB, 15CL	16			Hose, Fuel 17" Long - Code 15AZ, 15BR, 15BD 30" Long - Code 15BL, 19AS 15" Long - Code 15BD, 15CL
5			Kit, Intake Manifold (Includes Carburetor Mounting Screws and Washers)	503-1548	1		
	541-0428	1	W/O Tapped Hole	503-1577	1		
	541-0429	1	W/Tapped Hole	503-1443	1		
6	526-0122	2	Washer, Flat (5/16")	503-1574	1		Hose, Breather Code 19AU, 19BA - Specs A, B, C
7			Screw, Hex Head Cap (5/16-18 x 1-3/4")	503-1606-01	1		Code 19AS, 19AU, 19AW, 19BA - Begin Spec C - 3.25" Long
	114-0022	2	(5/16-18 x 1-7/8")	18			Fitting, Barbed Code 19AU, 19BA Code 19BC
	800-0193	2	Floodlighter P218 - Spec C	19	503-0731	2	Clamp, Hose 1/2" Diameter - Code 19BA, 15CL, 15AZ
8	800-0033	4	Screw, Hex Head Cap (5/16-18 x 2")	503-1133	1		.44" Diameter - Code 19AS, 19AW, 19AU, 19BA - Begin Spec C
				20	150-2550	1	Spring, Governor Rod
				21			Clip, Rod End Old New

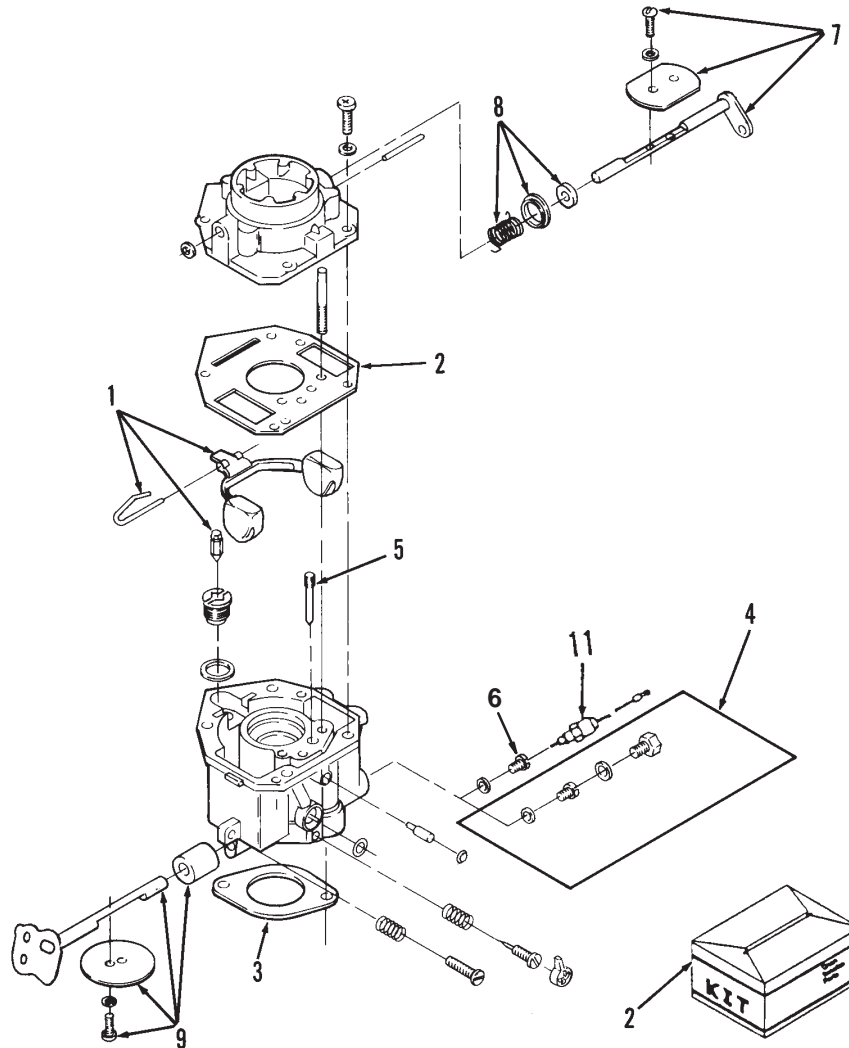
Carburetor Components Gasoline



REF NO.	PART NO.	QTY USED	PART DESCRIPTION	REF NO.	PART NO.	QTY USED	PART DESCRIPTION
			Kit, Carburetor (Includes Mounting Gasket and Carburetor)	146-0502		1	Kit, Solenoid Valve Repair (Includes Main Plug Gasket and Solenoid Valve Assy)
	146-0659	1	P216, P218	146-0657		1	Kit, Carburetor Repair (Includes Mounting Gasket, Air Horn Gasket and Set Screws [M4 x 16mm], Float Valve, Float Pin, Float Assy, Main Plug Gasket and O'Ring)
	146-0660	1	P220				
1	154-0733	1	Gasket, Carburetor Mounting	146-0658		1	Kit, Carburetor Repair (Includes Carburetor Mounting Gasket, Diaphragm Stopper Screw, O'Ring, Stop Ring, Accelerator Pump Valve and Diaphragm Assy, Accelerator Diaphragm Spring, Check Valve Assy, Check Valve Spring and Cover Set Screws)
2			Carburetor (Includes Parts Marked *)				
	146-0697	1	P216, P218				
	146-0698	1	P220				
3	146-0338	4	*Screw, Valve Set				
4	146-0331	1	*Spring, Adjustment Screw				
5	146-0423	1	*Valve, Float				
6			*Jet, Main Fuel (Altitude)				
	146-0652	1	P216, P218				
	146-0694	1	P220				
	146-0650	1	Package, Carburetor Repair (Includes Air Horn Gasket and Set Screws [M4 x 16mm], Float Valve, Float Pin, Float Assy, Main Plug Gasket and O'Ring)				
	146-0649	1	Package, Accelerator Pump Repair (Includes Diaphragm Stopper Screw, O'Ring, Stop Ring, Accelerator Pump Valve Accelerator Diaphragm Spring and Diaphragm Assy, Check Valve Assy, Check Valve Spring, Cover Set Screw)				

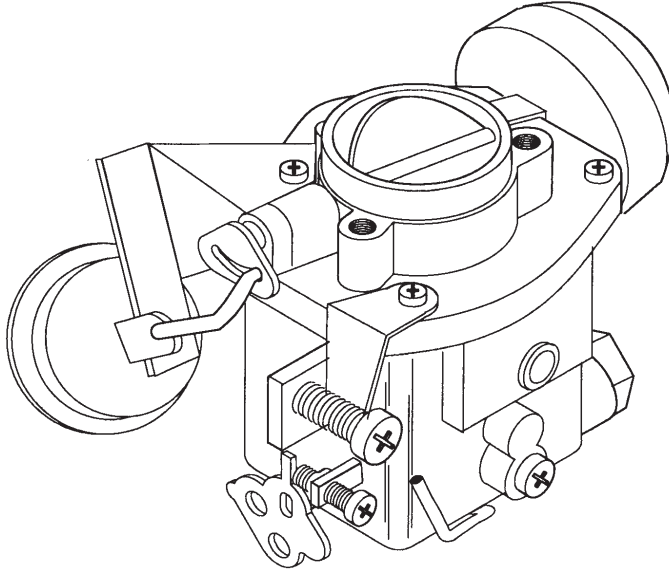
* – Parts Included in Carburetor.

Carburetor Components Gasoline (Spec A-F)



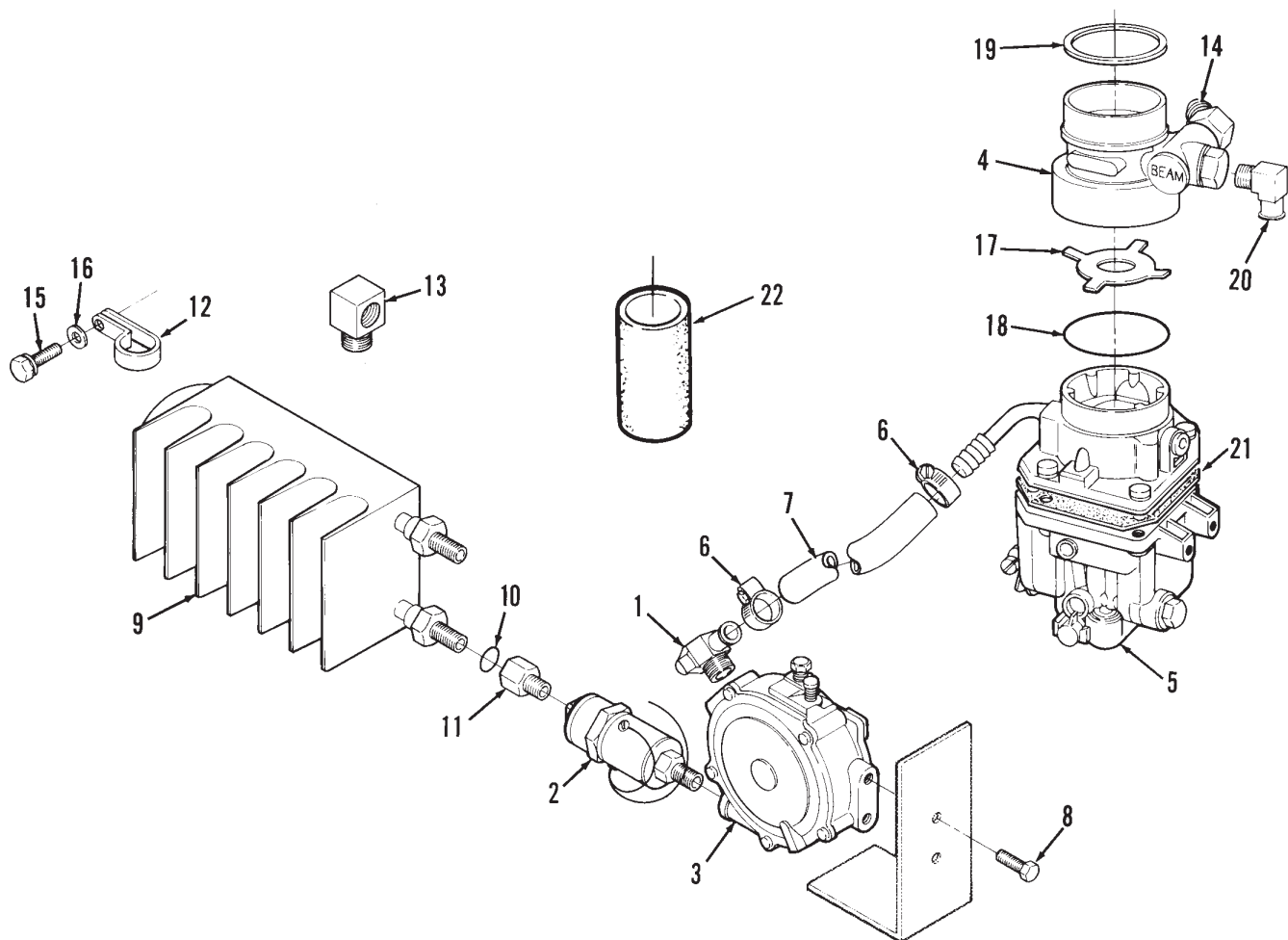
REF NO.	PART NO.	QTY USED	PART DESCRIPTION	REF NO.	PART NO.	QTY USED	PART DESCRIPTION
			Carburetor, Complete (Includes Mounting Gasket)	5			Jet, Idle
	146-0495	1	P216, P218		146-0425	1	P216, P218
	146-0496	1	All Specs Except 11212		146-0420	1	P220
	146-0613	1	Spec 11212	6			Jet, Power
1	146-0437	1	Kit, Float (Includes Float, Pin and Valve)		146-0396	1	P216, P218
2	146-0500	1	Kit, Repair (Includes Screw and Plug Package, Gasket Package, Float Valve, Idle Adjust Needle and Spring, Mounting Gaskets, Idle Limit Cap)		146-0391	1	P220
3	154-0733	2	Gasket, Carburetor	7	146-0433	1	Kit, Choke Shaft (Includes Choke Valve, Valve Set Screw and Air Filter)
4			Jet, Fixed Power – Optional (High Altitude Application)	8			Kit, Choke Lever (Includes Choke Lever Ring, Choke Spring and Choke Collar)
	146-0458	1	P216, P218		146-0434	1	P216, P218
	146-0347	1	P220		146-0435	1	P220
				9	146-0503	1	Kit, Throttle Shaft (Includes Valve Set Screw, Air Filter and Throttle Valve)
				11	146-0502	1	Solenoid, Fuel Cut-off Code 15CJ

**Carburetor Components
Gasoline
Auto Choke**



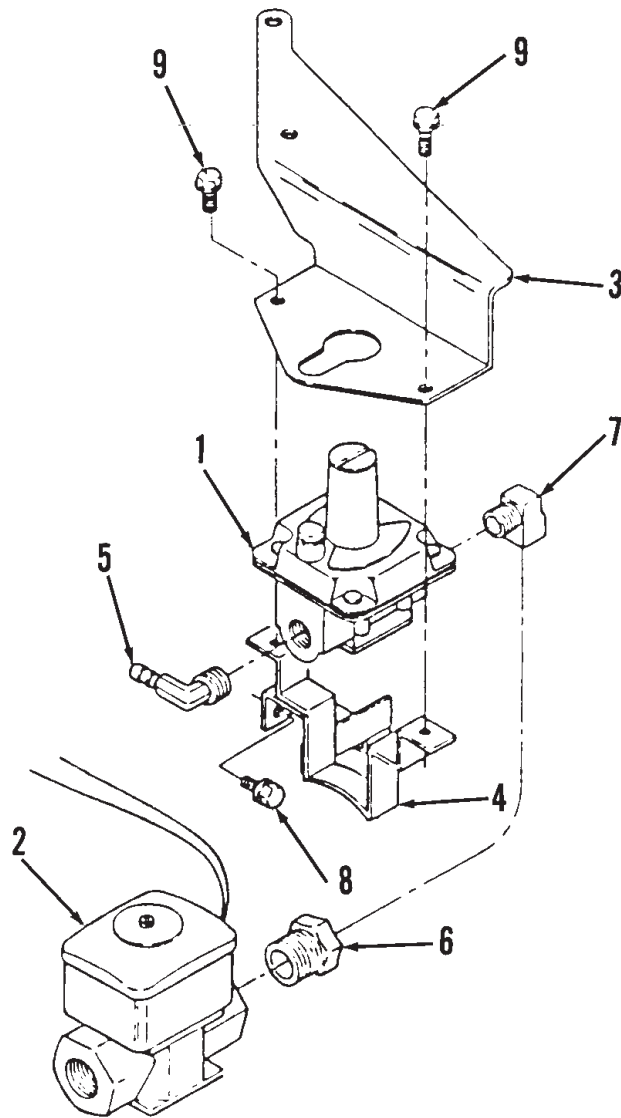
REF NO.	PART NO.	QTY USED	PART DESCRIPTION	REF NO.	PART NO.	QTY USED	PART DESCRIPTION
	146-0506	1	Carburetor, Complete	8	146-0437	1	Kit, Float (Includes Float, Valve and Pin)
1	146-0425	1	Jet, Idle	7	146-0503	1	Kit, Throttle Shaft (Includes Valve Set Screw, Throttle Shaft, Air Filter and Throttle Valve)
2	146-0343	1	Jet, Power				
3	146-0441	1	Cap, Idle Limiter	9	146-0499	1	Kit, Gasket (Includes Air Horn, Gasket, Power Plug Gasket (2) and O-Ring)
4	146-0341	1	Spring, Power Needle				
5	146-0342	1	Needle, Complete Power				
6	146-0498	1	Kit, Screw and Plug (Includes Screws, Gaskets, Plugs and Idle Adjust Spring)				

Fuel System LP Gas



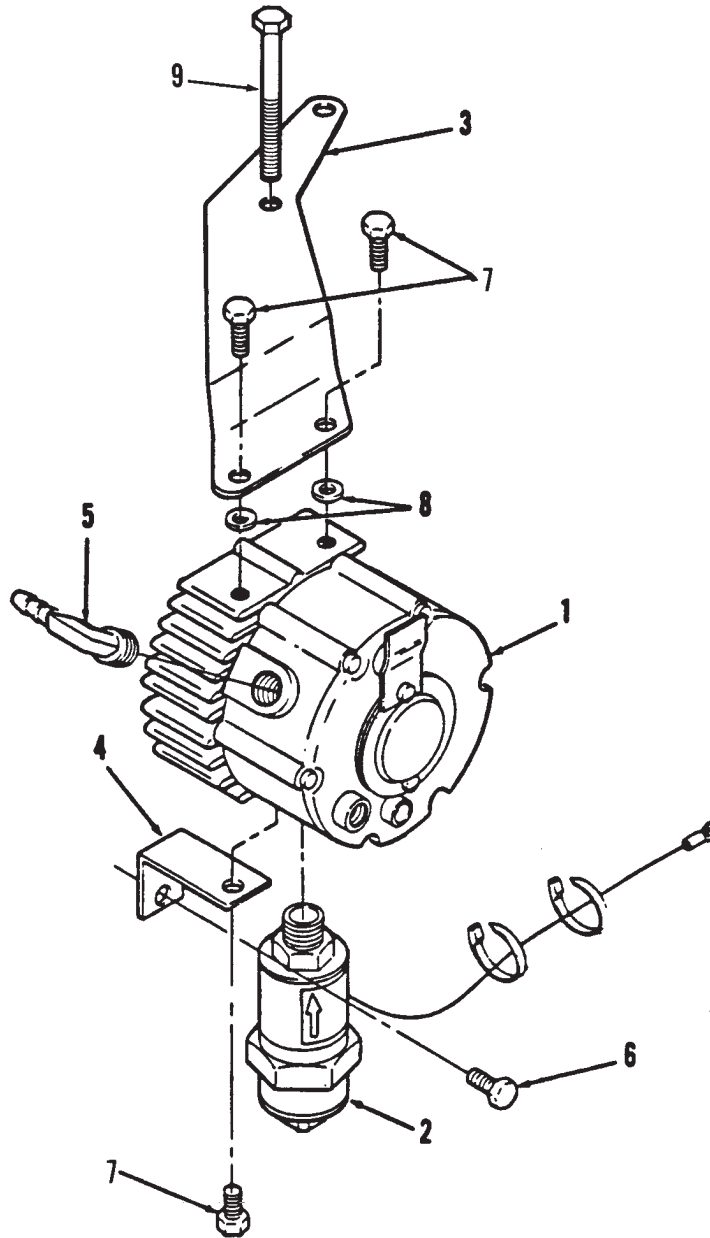
REF NO.	PART NO.	QTY USED	PART DESCRIPTION	REF NO.	PART NO.	QTY USED	PART DESCRIPTION
1	148-0907	1	Elbow, 90° Main Jet	9	148-0914	1	Vaporizer, LP Gas
2	307-2754	1	Valve, Fuel Shut-Off	10	509-0035	2	O-Ring (1/2" ID)
3			Regulator, LP Gas	11	502-0126	2	Connector, Inverted Male
	148-0909	1	Spec A-F	12	332-1554	1	Clamp, Insulated (Fits 1/2" Diameter Tube)
	148-1025	1	Begin Spec G				
4			Adapter, LP Gas	13	502-0054	1	Elbow, 90°
	148-0918-01	1	LP Only	14	502-0575	1	Elbow, 45° - Dual Fuel Adapter
	148-0908-01	1	Dual Fuel Carburetor	15	800-0011	2	Screw, Hex Washer Head (1/4-20 x 2")
5			Carburetor, LP Gas (Includes Gasket)	16	526-0018	2	Washer, Flat (1/4" Screw)
	146-0495	1	Spec A-F	17	148-0911	1	Deflector, Carburetor
			Begin Spec G	18	509-0145	1	O-Ring (2" ID)
	146-0678	1	P216, P218	19	140-2279	1	Gasket, Air Cleaner - Dual Fuel
	146-0679	1	P220				
6	503-0183	2	Clamp, Hose (7/8" Diameter)	20	502-0237	1	Elbow, Hose (Male) 90° Dual Fuel
7	503-1048	1	Hose, Fuel				
8	821-0009	2	Screw, Hex Washer Head Self-Locking (1/4-20 x 3/8")	21	146-0520	1	Gasket, Air Horn
				22	503-1882-02	1	Tube, Air Intake

Natural Gas Regulator



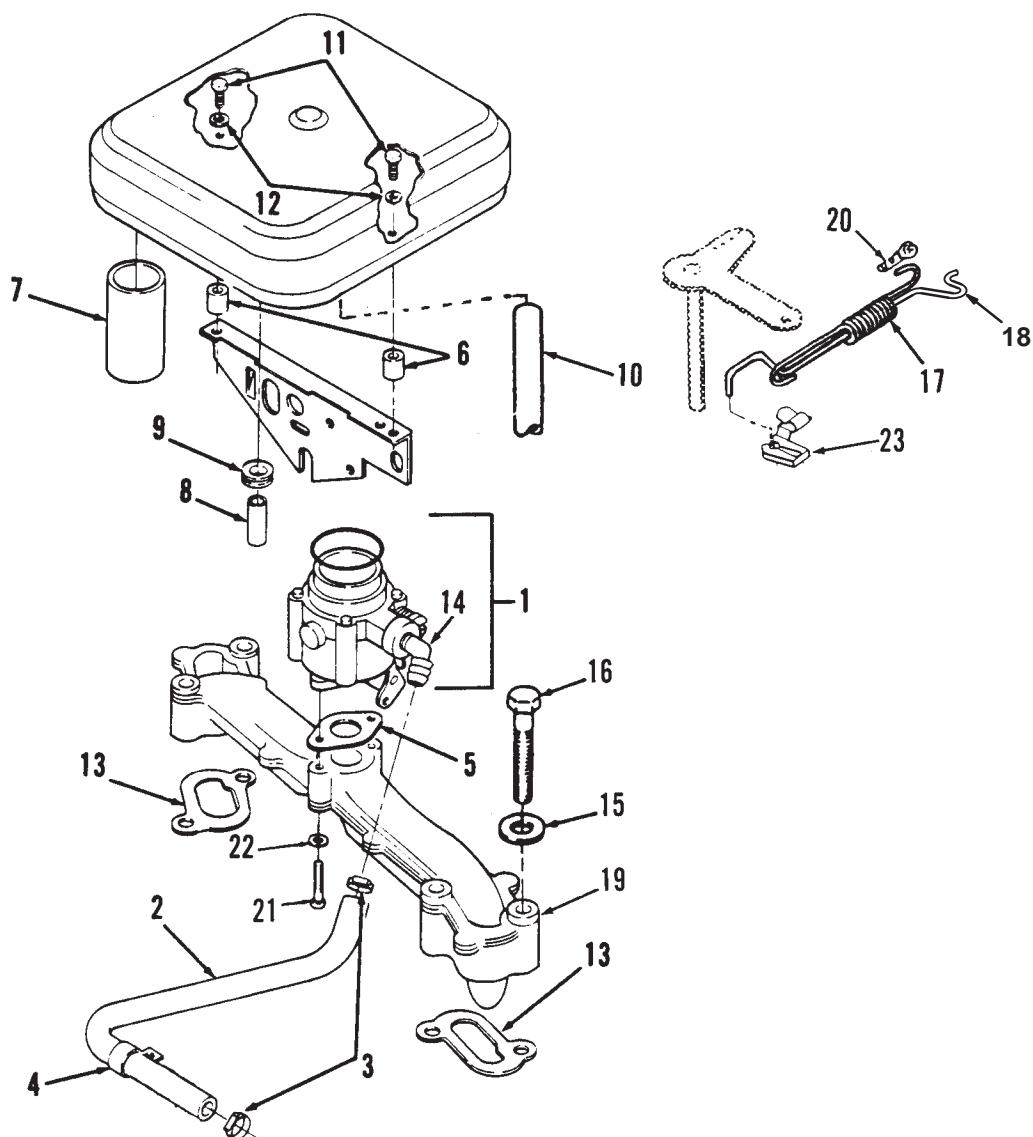
REF NO.	PART NO.	QTY USED	PART DESCRIPTION	REF NO.	PART NO.	QTY USED	PART DESCRIPTION
1	148-0977	1	Regulator, Natural Gas Spec A-F	6	502-0029-08	1	Bushing, Reducer (3/4 x 1/2")
	148-1026	1	Begin Spec G	7	502-0133	1	Elbow, 90° Street (1/2" NPT)
2	307-0312	1	Valve, Magnetic	8	815-0293	1	Screw, Hex Washer Head (1/4-20 x 3/4")
3	148-0971	1	Bracket, Regulator Mounting	9	821-0010	2	Screw, Hex Washer Head (1/4-20 x 1/2")
4	148-0972	1	Strap, Regulator Mounting				
5	502-1145	1	Elbow, 90° Brass				

LP Converter Kit



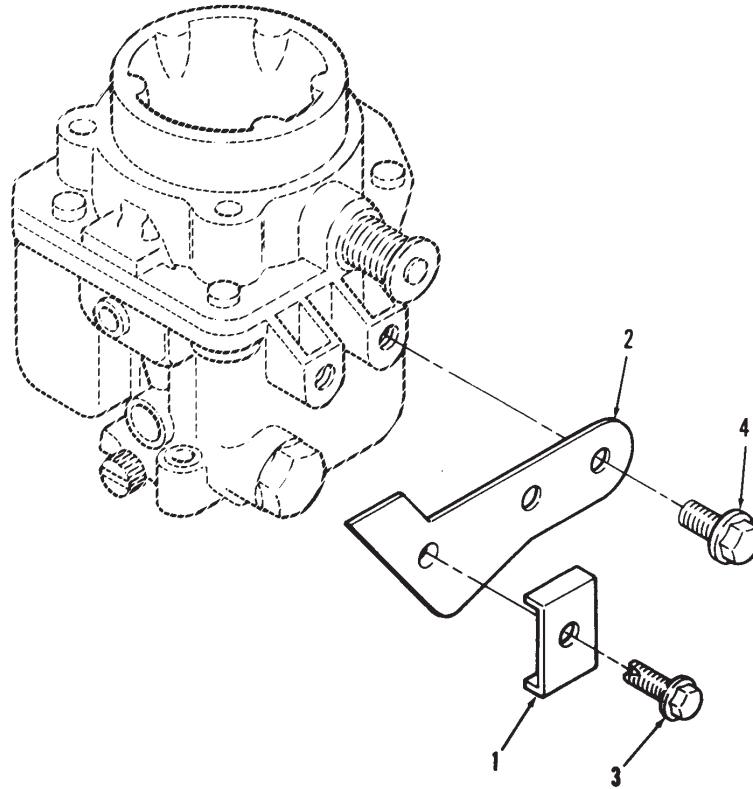
REF NO.	PART NO.	QTY USED	PART DESCRIPTION	REF NO.	PART NO.	QTY USED	PART DESCRIPTION
1	148-0941	1	Regulator	6	815-0293	1	Screw, Hex Washer Head Thread Forming (1/4-20 x .75)
2	307-2754	1	Valve, Shut Off	7	821-0018	3	Screw, Hex Head Cap (1/4-20 x .625)
3	148-0937-02	1	R.H. Mount	8	526-0018	2	Washer, Flat (1/4" Screw)
	148-0942	1	L.H. Mount	9	800-0034	2	Screw, Hex Head Cap (5/16-18 x 2-1/4")
4	148-0938-02	1	R.H. Mount				
	148-0943	1	L.H. Mount				
5	502-1145	1	Elbow, 90° Brass (1/2" NPT - 3/8 Barb)				

LP Carburetor Kit



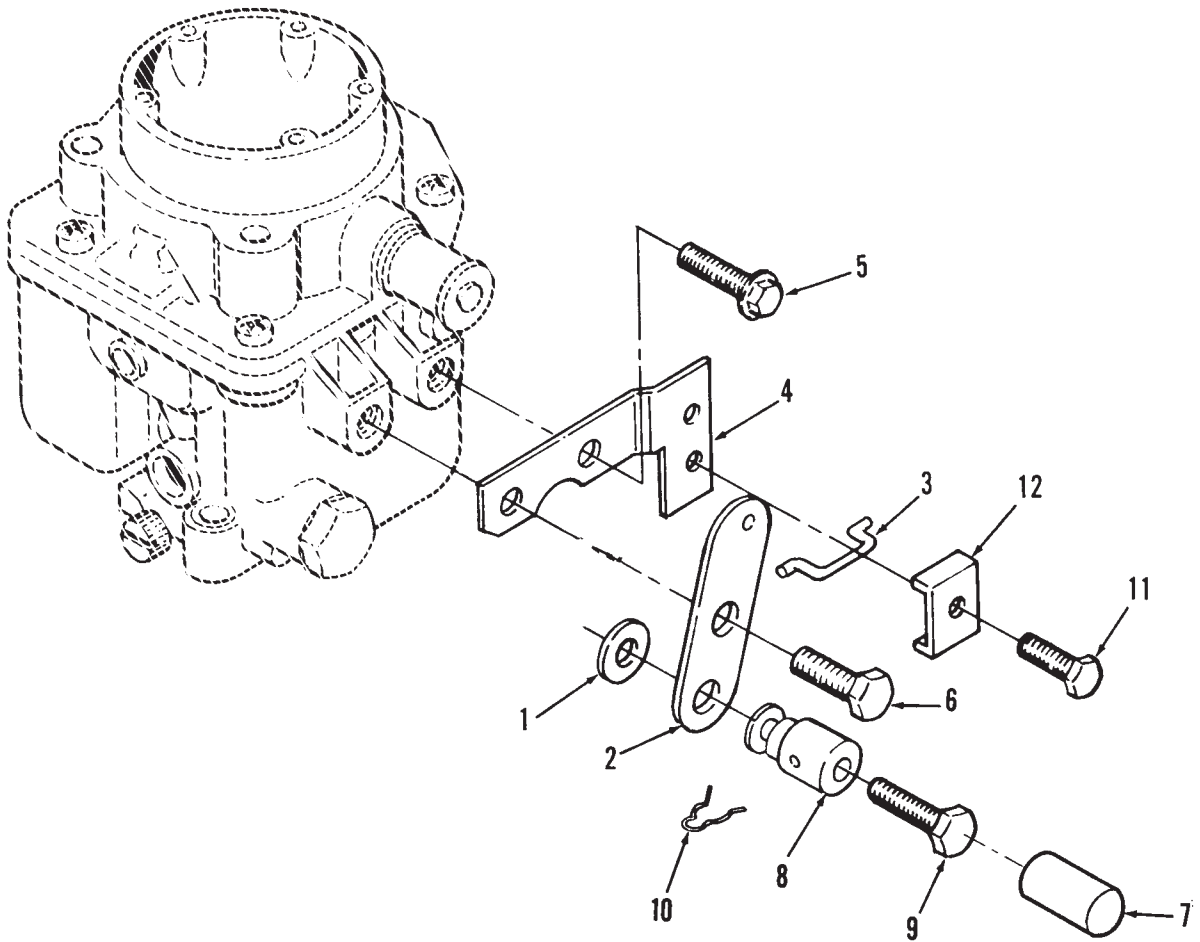
REF NO.	PART NO.	QTY USED	PART DESCRIPTION	REF NO.	PART NO.	QTY USED	PART DESCRIPTION
1	146-0562	1	Carburetor, LP Spec A-F Begin Spec G	12	526-0018	2	Washer, Flat (1/4" Screw)
	146-0678	1	P216	13	154-2495	2	Gasket, Intake Manifold
	146-0679	1	P218/220	14	502-1146	1	Elbow, 45° Brass
2	503-1798	1	Hose (3/8" I.D x 18" Long)	15	740-1006	4	Washer, Flat (M8)
3	503-1133	2	Clamp, Hose	16	800-0033	4	Screw, Hex Head Cap (5/16-18 x 2")
4	332-1356	1	Clamp, Loop	17	150-2550	1	Spring, Governor Rod
5	141-0281	1	Gasket, Carburetor	18	150-2593-02	1	Rod, Governor Control
6	140-2722-01	2	Spacer, Air Cleaner	19	541-0428	1	Manifold, Intake
7	503-1882-02	1	Hose Air Inlet	20	518-0004	1	Clip, Control Rod Retaining to Carburetor
8	123-1484-01	1	Tube, Copper Breather	21	800-0193	2	Screw, Hex Head Cap (5/16-18 x 1-7/8")
9	508-0021	1	Grommet, Rubber	22	526-0397	2	Washer, Flat (.34" Screw)
10	503-1606-02	1	Hose, Breather (3.75" Lg) - Begin Spec C	23			Clip, Rod End
11	821-0013	2	Screw, Hex Head Cap (1/4-20 x 1)		518-0406	1	Old
					518-0637	1	New

Choke Control (Rear Pull)



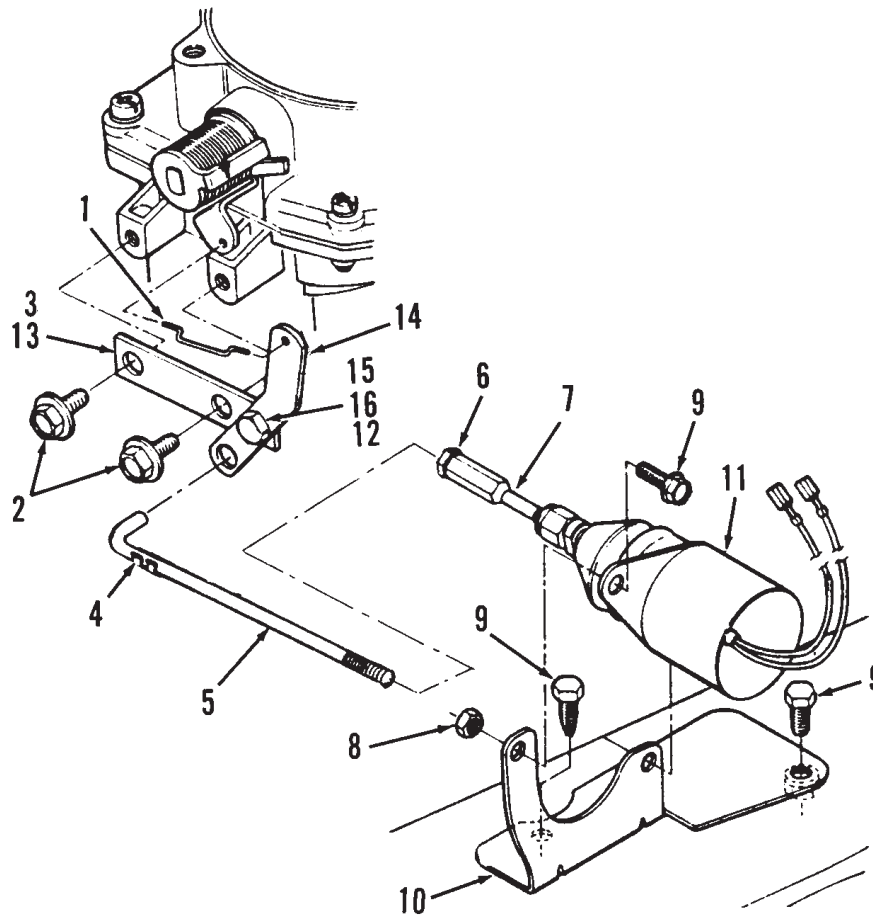
REF NO.	PART NO.	QTY USED	PART DESCRIPTION	REF NO.	PART NO.	QTY USED	PART DESCRIPTION
1	153-0514	1	Clip, Choke Cable	4	821-0004	2	Screw, Hex Washer Head Cap (10-32 x 5/16")
2	153-0686-02	1	Bracket, Choke Cable				
3	815-0359	1	Screw, Tapping Slotted Hex Washer Head (#10-32 x 7/8")				

Choke Control (Front Pull)



REF NO.	PART NO.	QTY USED	PART DESCRIPTION	REF NO.	PART NO.	QTY USED	PART DESCRIPTION
1	526-0140	1	Washer, Flat (#10 Screw)	8	152-0155	1	Swivel, Choke Lever
2	153-0523	1	Lever, Choke	9	815-0693	1	Screw, Hex Head Machine (#8-32 x .375")
3	153-0500	1	Link, Choke	10	516-0059	1	Pin, Cotter
4	153-0524	1	Bracket, Choke Cable	11	815-0359	1	Screw, Tapping Slotted Hex Washer Head (#10-32 x 1/4")
5	821-0004	1	Screw, Hex Washer Cap Head (#10-32 x 1/4")	12	153-0514	1	Clip, Choke Cable
6	815-0820	1	Screw, Shoulder (#10-32 x .38")				
7	517-0177	1	Plug, Cap				

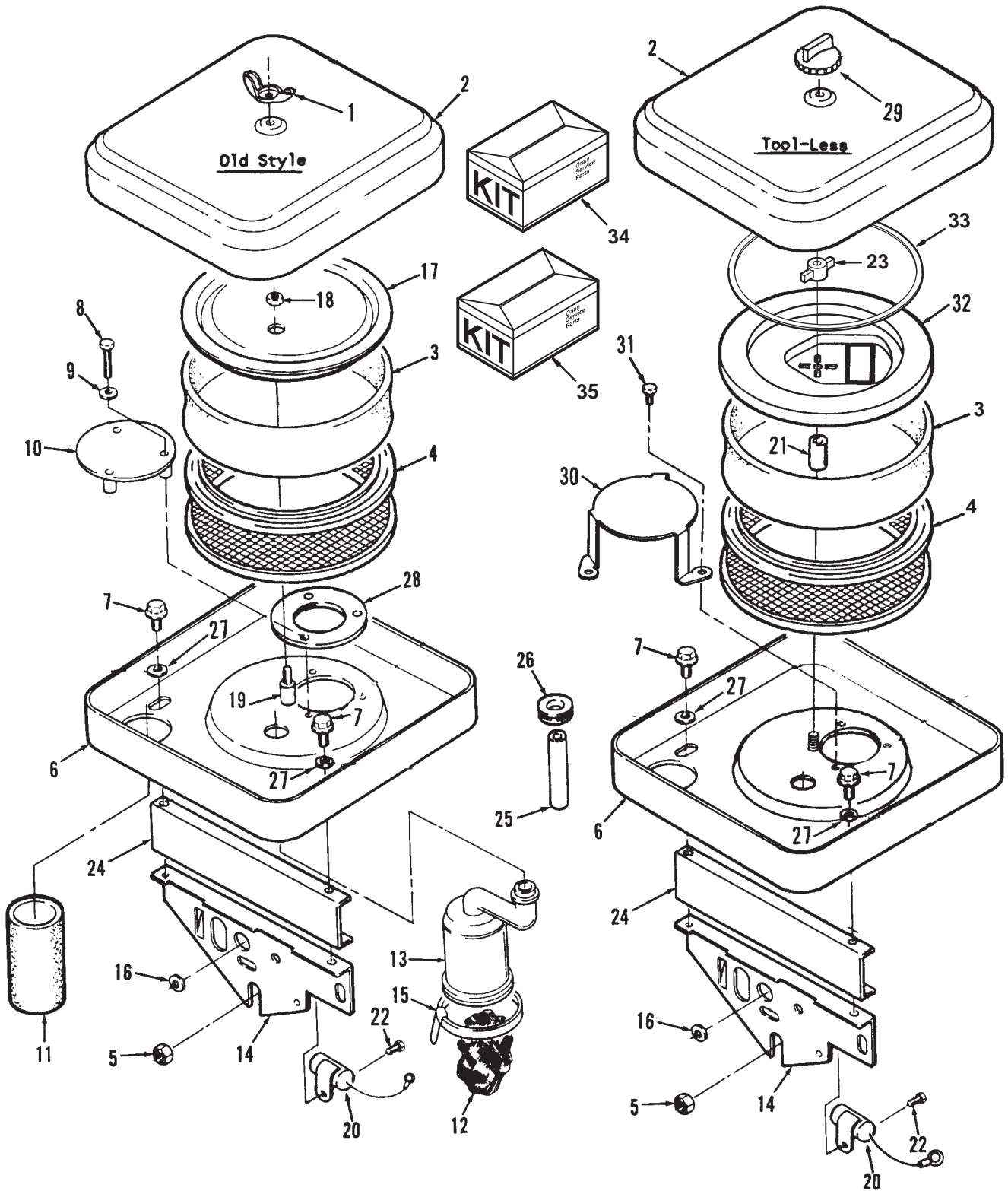
Remote Choke Spec D



REF NO.	PART NO.	QTY USED	PART DESCRIPTION	REF NO.	PART NO.	QTY USED	PART DESCRIPTION
1	153-0500	1	Link, Choke	11	307-2750	1	Solenoid, 12 Volt
2	821-0004	2	Screw, Lk H (10-32 x 3/8)	12	821-0010	2	Screw, Lock Head Flange (1/4-20 x 1/2")
3	153-0642	1	Bracket Assy, Choke (Includes Parts Marked *)	13	150-2480	1	*Bracket, Choke
4	518-0006	1	Clip, Lock	14	150-2531	1	*Lever, Choke
5	150-2478	1	Rod, Choke	15	815-0820	1	*Screw, Pan Head Shoulder (10-32)
6	870-0053	1	Nut, Hex Mach (10-32)	16	870-0298	1	*Nut, Lock (10-32)
7	150-2481	1	Swivel, Link	17	526-0008	1	*Washer, Flat (#10 Screw)
8	870-0212	2	Nut, Self Lk (1/4-20)				
9	815-0290	4	Screw, Hex Washer Head Thread Form (1/4-20 x 5/8)				
10	307-2751	1	Bracket, Solenoid				

* - Parts Included in Choke Bracket Assy.

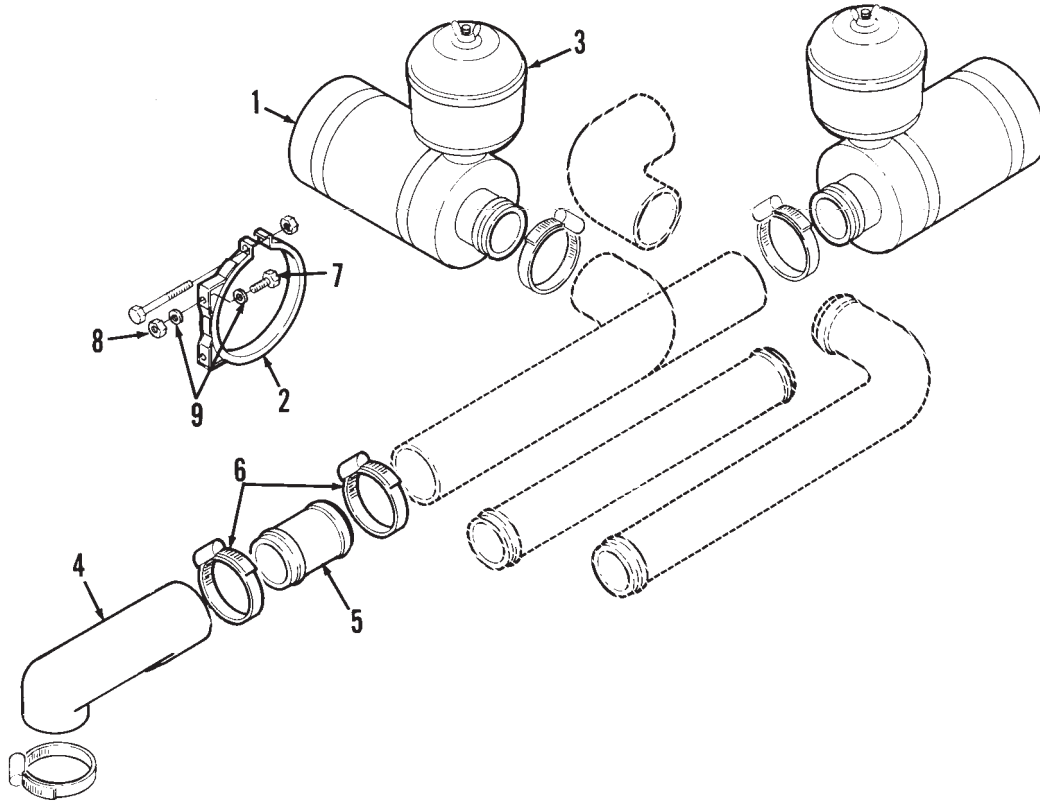
Air Cleaner



Air Cleaner

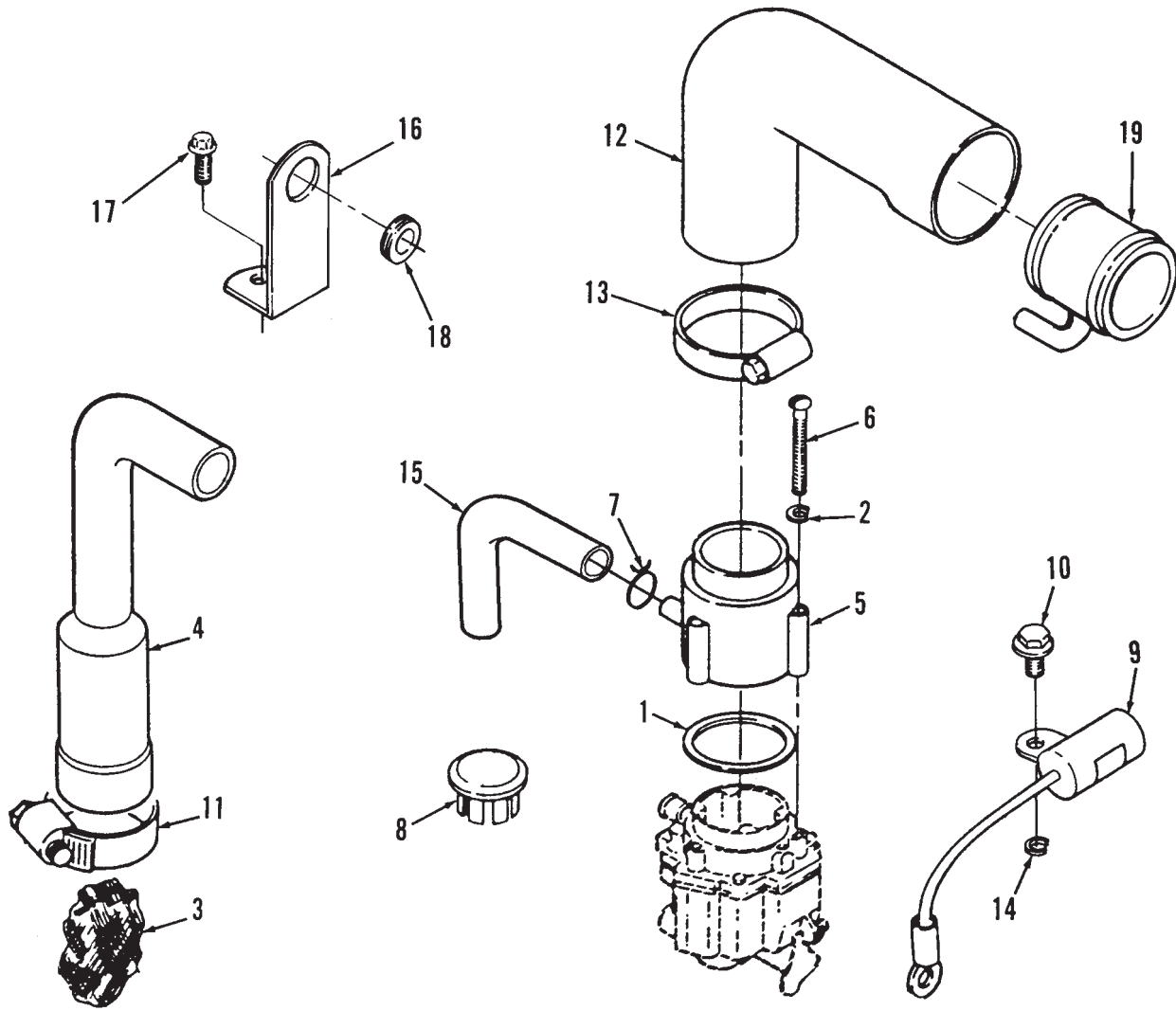
REF NO.	PART NO.	QTY USED	PART DESCRIPTION	REF NO.	PART NO.	QTY USED	PART DESCRIPTION
1	865-0020	1	Nut, Wing (1/4-20)	13	123-1429	1	Tube, Crankcase Breather – Specs A, B
2			Cover, Air Cleaner	14	140-2017-50	1	Support, Air Cleaner – Painted
	140-2005-50	1	Painted – Code 19AS, 19AW, 19BA (Standard Capacity)	15	503-1752	1	Clamp, Breather Tube – Spec A and B
	140-2005-02	1	Chromed – Code 19BB	16	508-0001	1	Grommet, Rubber (1/2" Hole)
	140-1913-50	1	Painted – Code 19AU (Hi Capacity)	17	541-0459	1	Cover, Element
3			Wrapper, Air Cleaner Element	18	870-0365	1	Nut, Hex (1/4-20)
	140-1496-01	1	Standard Svc and XSL Code 19AS, 19BA	19	301-0458	1	Spacer, Air Cleaner Stud
	140-1912-01	1	High Capacity – Code 19AU	20	312-0256	1	Capacitor (Placed Horizontal)
4			Element, Air Cleaner	21			Spacer, Air Cleaner Stud
	140-2628-01	1	Standard Capacity – Code 19AS, 19BA		140-2536-01	1	1" Long – Standard
	140-2628-02	1	High Capacity – Code 19AU		140-2536-02	1	2-3/4" Long – High Capacity
5	870-0399	1	Nut, Hex Washer Head Flanged (5/16-18)	22	815-0178	1	Screw, Hex Washer Head Thread Form (10-32 x 5/8")
6			Housing, Air Cleaner	23	140-2786	1	Spacer, Nylon
	140-2493-53	1	Code 19AS, 19BA – Begin Spec C – Use with Standard Filter	24	140-2202-02	1	Spacer, LP Gas – Painted (Early Systems)
	140-2493-51	1	Code 19AS – Spec A, B – Use with Standard Filter	25	123-1484-01	1	Tube, Breather (Copper) LP Gas
	140-2539-53	1	Code 19AU – Begin Spec C – Use with High Capacity Filter	26	508-0021	1	Grommet, Rubber (1/2" ID) LP Gas
	140-2539-51	1	Code 19AU – Spec A, B – Use with High Capacity Filter	27	526-0018	2	Washer, Flat (1/4" Screw) LP Gas
7			Screw	28	140-2278	1	Plate, Support – Dual Fuel Units
	815-0261	2	Hex Washer Head Tapping (1/4-20 x 1/2") Gasoline		140-2204	1	Gasket, Hose Fitting – Code 19BA – Not Shown
	800-0011	2	Hex Head Cap (1/4-20 x 2") LP		870-0346	1	Nut, 6 Point Self-Lock (1/4-28) Code 19BA – Not Shown
8			Screw, Hex Head Machine Gasoline Fuel (#10-32 x 1-1/2")	29	140-2761	1	Knob (1/4-20)
	815-0470	2	LP Gas – Dual Fuel Units (#10-32 x 2-1/4")	30	145-0614	1	Plate, Air Deflector, High Capacity (Spec A-F) Code 19AU
	815-0516	3	LP Gas – Dual Fuel Units (#10-32 x 2-1/4")	31	815-0463	3	Screw, Hex Washer Slotted Head (#10-32 x 3/8")
9	526-0234	3	Washer, Flat (#10 Screw)	32	140-2942	1	Cover, Element
10	145-0521	1	Plate, Air Deflector – Gasoline	33	140-2789	1	Gasket, Air Cleaner
11			Tube, Air Intake	34			Kit, Air Cleaner
	140-2025-01	1	4.12" Long		541-0457-01	1	Standard Capacity High Capacity
	503-1882-03	1	5.12" Long		541-0458-01	1	Spec A, B
	503-1882-01	1	3.5" Long		541-0458-02	1	Begin Spec D
12	123-1871	1	Filter, Breather Tube – Specs A and B	35	541-0459	1	Kit, Air Cleaner (Inner Cover)

Remote Air Cleaner



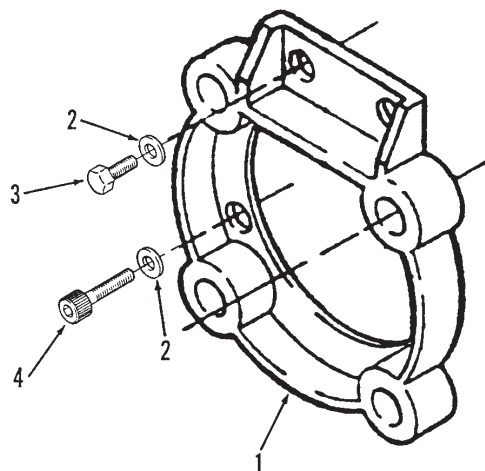
REF NO.	PART NO.	QTY USED	PART DESCRIPTION	REF NO.	PART NO.	QTY USED	PART DESCRIPTION
1	140-0721	1	Cleaner, Air (Includes Element #140-0765)	5	140-2173	1	Tube, Air Induction (Steel)
2	140-0722	2	Band, Air Cleaner	6	503-1141	4	Clamp, Hose (2-3/8" Dia.)
3	140-0723	1	Pre-Cleaner, Air (Plastic)	7	800-0004	4	Screw, Hex Head Cap (1/4-20 x 5/8")
4	140-1428	1	Elbow, Air Inlet	8	870-0065	4	Nut, Self-Lock (1/4-20)
				9	526-0018	8	Washer, Flat (1/4" Screw)

Remote Air Cleaner Adapter



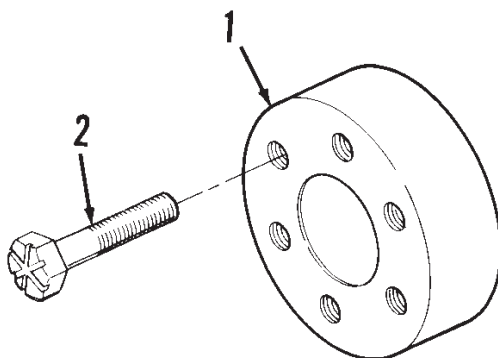
REF NO.	PART NO.	QTY USED	PART DESCRIPTION	REF NO.	PART NO.	QTY USED	PART DESCRIPTION
1	509-0145	1	Seal, O-Ring	11	503-0398	1	Clamp, Breather Tube (1-5/8" Diameter)
2	850-0030	3	Washer, Spring Lock (#10)	12	140-1428	1	Elbow, Air Inlet
3	123-1871	1	Filter, Breather Tube - Spec A,B	13	503-1142	3	Clamp, Hose 1.81-2.75" - P220 - Code 19CK
4	123-1539	1	Tube, Crankcase Breather Spec A,B		503-1141	1	1.56 - 2.5" - Code 19AV
5	140-1714	1	Adapter, Carburetor Air Intake	14	853-0013	1	Washer, ET Lock (1/4")
6	813-0106	3	Screw, Round Head Machine (#10-32 x 1-1/8")	15	503-1396	1	Hose, Breather
7			Clamp, Hose (11/16" Dia.) Spec A,B	16	149-2242	1	Bracket, Fuel Line - P218, P220 - Begin Spec C
	503-0769	1	Spec A,B	17	815-0261	1	Screw, Hex Washer Head (1/4-20 x 1/2")
	503-0769	2	Begin Spec C	18	508-0021	1	Grommet, Rubber - P218, P220 - Begin Spec C
8			Plug, Dot Button - Blower Housing Air Hole	19	140-2668-01	1	Tube, Air Induction - P220 - Code 19C
	517-0252	1	Unplated				
	517-0174	1	Tapered				
9	312-0256	1	Capacitor				
10	815-0389	1	Screw, Hex Washer Head (1/4-20 x 3/8")				

Clutch Adapter



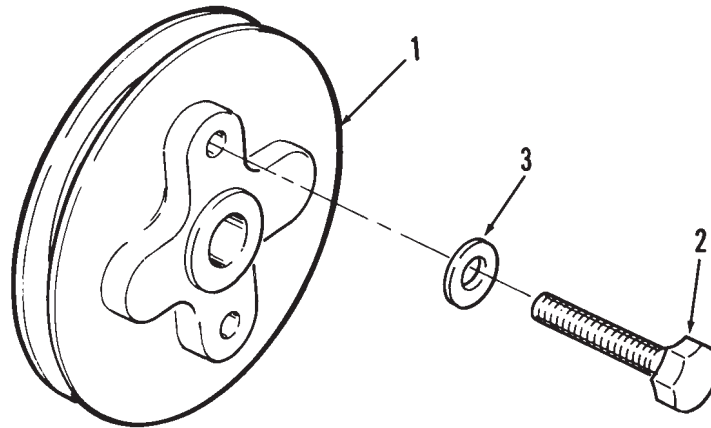
REF NO.	PART NO.	QTY USED	PART DESCRIPTION	REF NO.	PART NO.	QTY USED	PART DESCRIPTION
1	190-0597	1	Adapter, Electric Clutch	4	802-0073	2	Screw, Socket Head (3/8-16 x 1-1/4")
2	526-0245	4	Washer, Flat (3/8" Screw)				
3	800-0051	2	Screw, Hex Head Cap (3/8-16 x 1-1/4")				

Drive Plate Hub



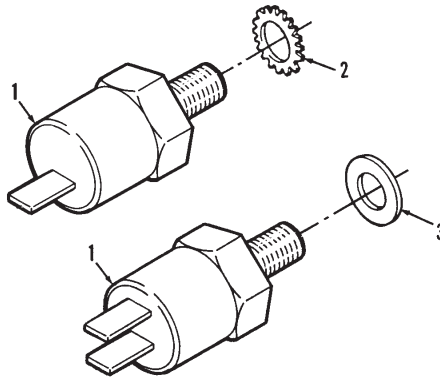
REF NO.	PART NO.	QTY USED	PART DESCRIPTION
1	104-1674	1	Hub, Drive Plate
2	805-0019	6	Bolt, Place - Grade 8 (3/8-16 x 1-7/16")

Pulley (Single Groove)



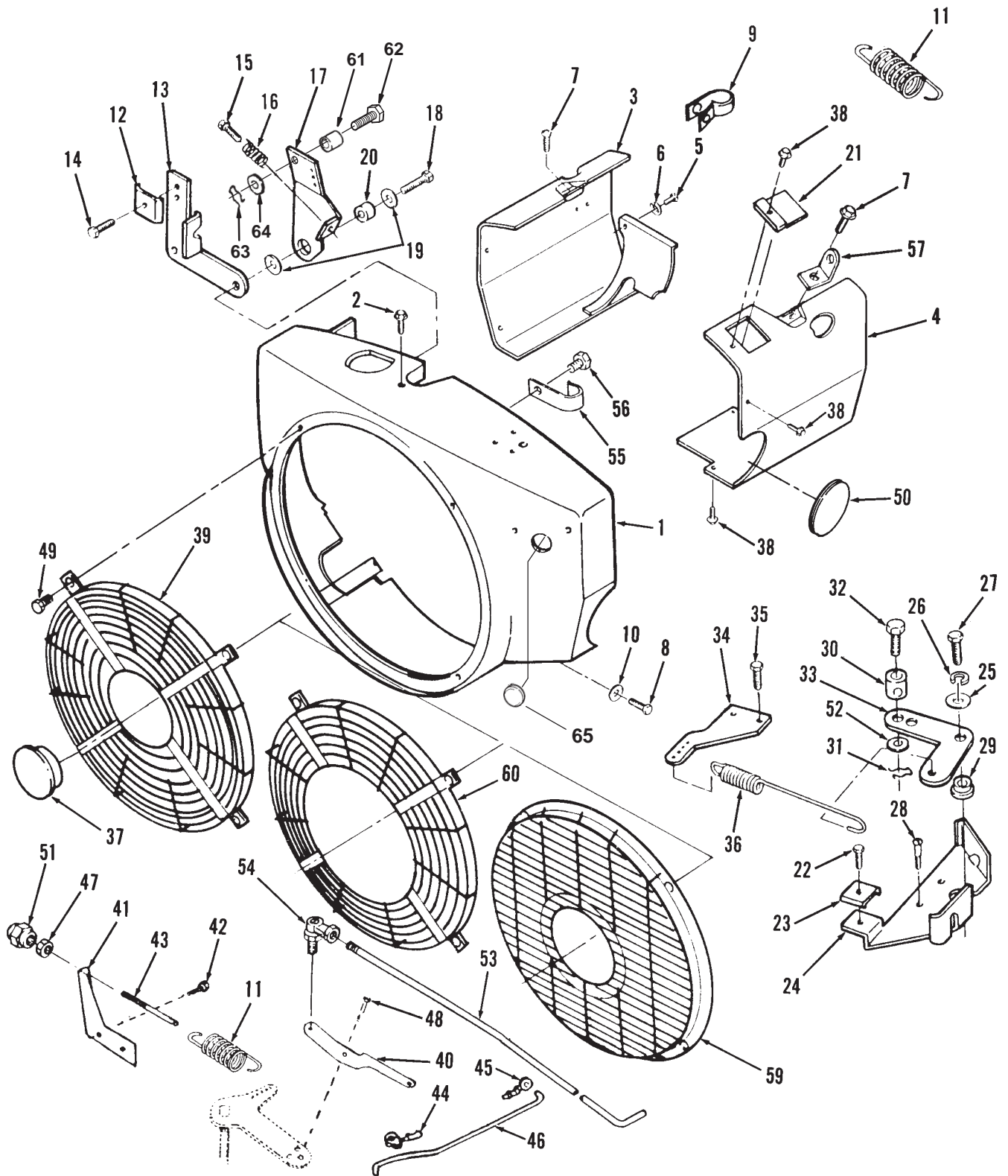
REF NO.	PART NO.	QTY USED	PART DESCRIPTION
1	191-1210	1	Pulley, Alternator Drive
2	114-0022	4	Screw, Hex Head Ca-p (5/16-18 x 1-3/4")
3	740-1006	4	Washer, Flat (M8)

High Temperature Switch Cut-Off



REF NO.	PART NO.	QTY USED	PART DESCRIPTION	REF NO.	PART NO.	QTY USED	PART DESCRIPTION
1	309-0559	1	Switch, High Temperature	3	526-0021	1	Washer, Flat - 2 Terminal Switch (1/4" Screw)
	309-0592	1	1 Terminal				
	309-0592	1	2 Terminal				
2	853-0013	1	Washer, ET Lock (1/4")				

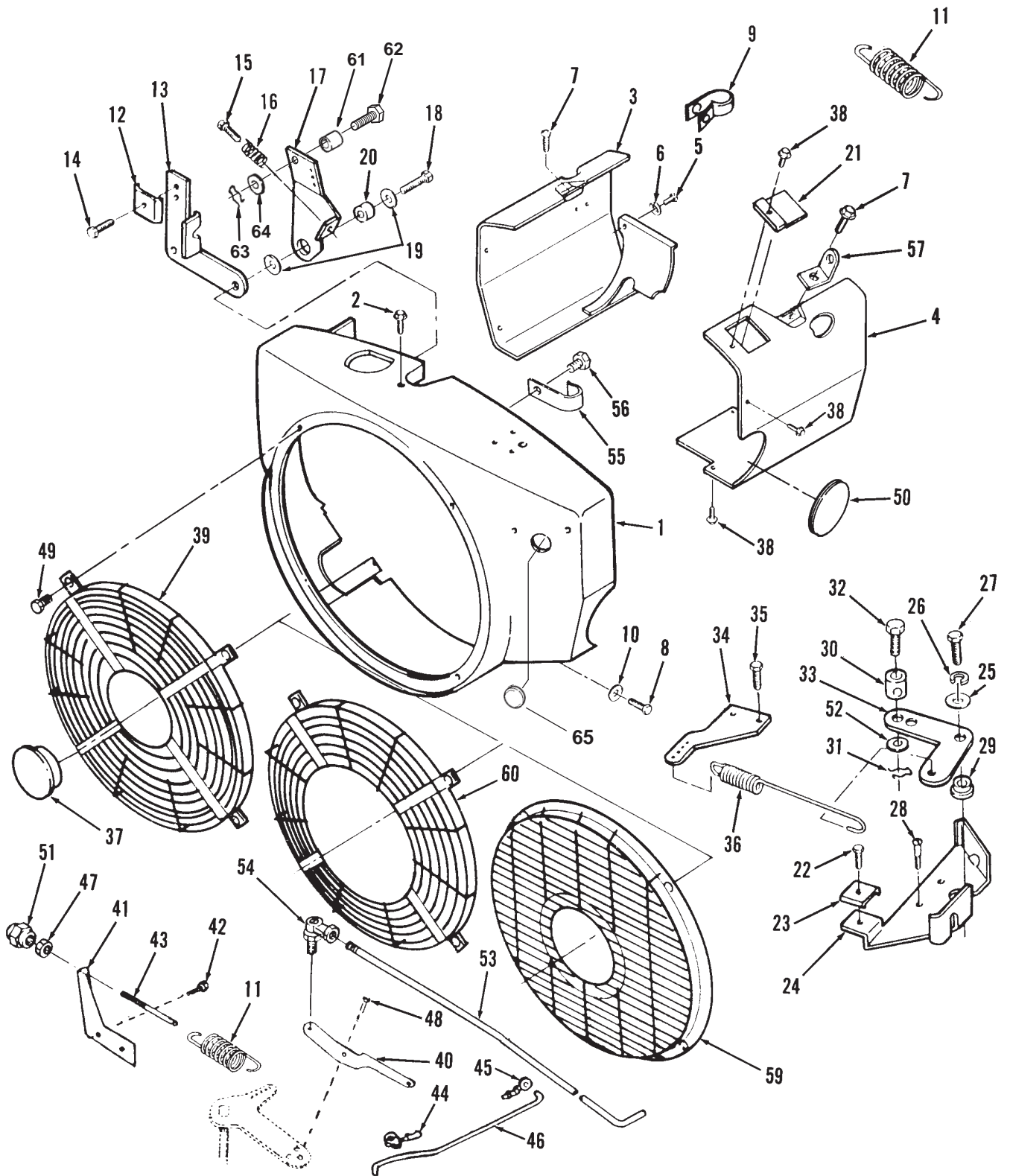
Blower Housing and Governor



Blower Housing and Governor

REF NO.	PART NO.	QTY USED	PART DESCRIPTION	REF NO.	PART NO.	QTY USED	PART DESCRIPTION
1			Housing, Blower	13			Bracket, Cable
	134-5179-02	1	Standard – Used on all Models Except ones with the Following Codes:		150-2345-02	1	Code 13BJ, 13CK
					150-1725-01	1	Begin Spec D – Code 13BJ
	134-5184-02	1	Code 13CK (Spec 10608)	14	815-0359	1	Screw, Hex Head Tapping (#10-32 x 1/2") – Code 13BJ
	134-5185-02	1	Code 17DA (W/Oil Cooler)	15	815-0510	1	Screw, Hex Head Tapping (#6-32 x 5/8") – Code 13BJ, 13CK
	134-4902-02	1	Code 17BC (Spec 10876, Floodlighter)(This Part To Be Used With the Following Not Illustrated Parts)	16	150-1398	1	Spring, Idle Setting –Code 13BJ, 13CK
	134-4907-02	1	Tray, Housing	17			Arm Assy, Governor Control (Includes Spring and Screws) Code 13BJ (Without Swivel)
	134-4908-02	1	Housing, Transition (RH)		150-2360	1	Spec A-C
	134-4909-02	1	Housing, Transition (LH)		150-1761	1	Spec D
	134-4906-02	1	Backplate		150-2360	1	Code 13CK (Without Swivel)
2	815-0261	2	Screw, Hex Washer Tapping Head (1/4-20 x 7/16")		150-2584	1	Code 13DA (With Swivel and Pin)
3			Housing, LH Cylinder Air		150-1761-01	1	Code 13DD
	134-4615-50	1	Code 31AZ, 31BD, 31BC – Painted	18			Screw (1/4-20 x 1/2")
	134-4610-50	1	Code 23DK – With 31AZ – With Weld Nuts – Painted		821-0010	2	Lock Head
	134-4885-02	1	Floodlighter – Code 13CG		815-0436	2	Hex Washer Head
	134-4956-50	1	Code 23EF – P218 – Painted	19	526-0021	2	Washer, Flat (1/4" Screw) Code 13BJ, 13CD, 13CG
4			Housing, RH Cylinder Air	20	150-1269	1	Bushing, Control Arm –Code 13BJ, 13CK
	134-4798-50	1	Code 23DK – With 31AZ – With Weld Nuts – Painted	21	134-3626-50	1	Cover, Voltage Regulator Painted – Code 31BD, 23EF
	134-4352	1	Floodlighter – Code 13CG	22	815-0391	1	Screw, Hex Head Tapping (#10-32 x 1/2")
	134-4824	1	Code 23DC	23	153-0514	1	Clamp, Throttle Cable
	134-4796-50	1	Code 31AZ, 31BC, 31BD – Painted	24			Bracket, Governor Control Mounting – Zinc Plated
	134-4957-50	1	Code 23EF – P218 – Painted		150-1726-01	1	All Specs Except 11215
5	815-0290	2	Screw, Hex Washer Tapping Head (1/4-20 x 5/8")		150-2570	1	Spec 11215 Only
6	526-0021	2	Washer, Flat (1/4" Screw)	25	740-1004	1	Washer, Flat (M6)
7	821-0016	2	Screw, Hex Washer Cap Head (5/16-18 x 3/4")	26	850-0040	1	Washer, Spring Lock (1/4")
8			Screw, Hex Washer Tapping Head	27	800-0007	1	Screw, Hex Head Cap (1/4-20 x 1")
	815-0290	4	(1/4-20 x 5/8")	28	815-0439	3	Screw, Hex Washer Head Tapping (8-15 x 1/2")
	815-0337	4	(1/4-20 x 3/4") Units With 3 Quart Oil Base – Code 17CM	29	150-1727	1	Bushing, Governor Control
9	332-2319	1	Clamp, Alternator Wire Leads (5/16" Diameter)	30	152-0155	1	Swivel, Throttle Lever
10	526-0018	4	Washer, Flat (1/4" Screw)	31	516-0059	1	Pin, Cotter
11			Spring, Governor	32	815-0693	1	Screw, Hex Head Machine Link, Governor Control
	150-1214	1	5 Ball – Code 13BJ, 13CK – Code 13CG, 13BF (Use with Code 13CB)	33			All Specs Except 11215
	150-1740	1	10 Ball – Code 13CH – P218		150-2571	1	Spec 11215 Only
	150-2550	1	5 Ball – Code 13CG (Use with 13CC)	34	150-1754-01	1	Adapter, Governor Arm (Zinc Plated)
12	153-0514	1	Clamp, Cable – Code 13BJ, 13CK	35	815-0555	2	Screw, Hex Head Tapping W/ET (#10-32 x 1/2")
				36	150-1755	1	Spring, Governor – Code 13BK, 39AG

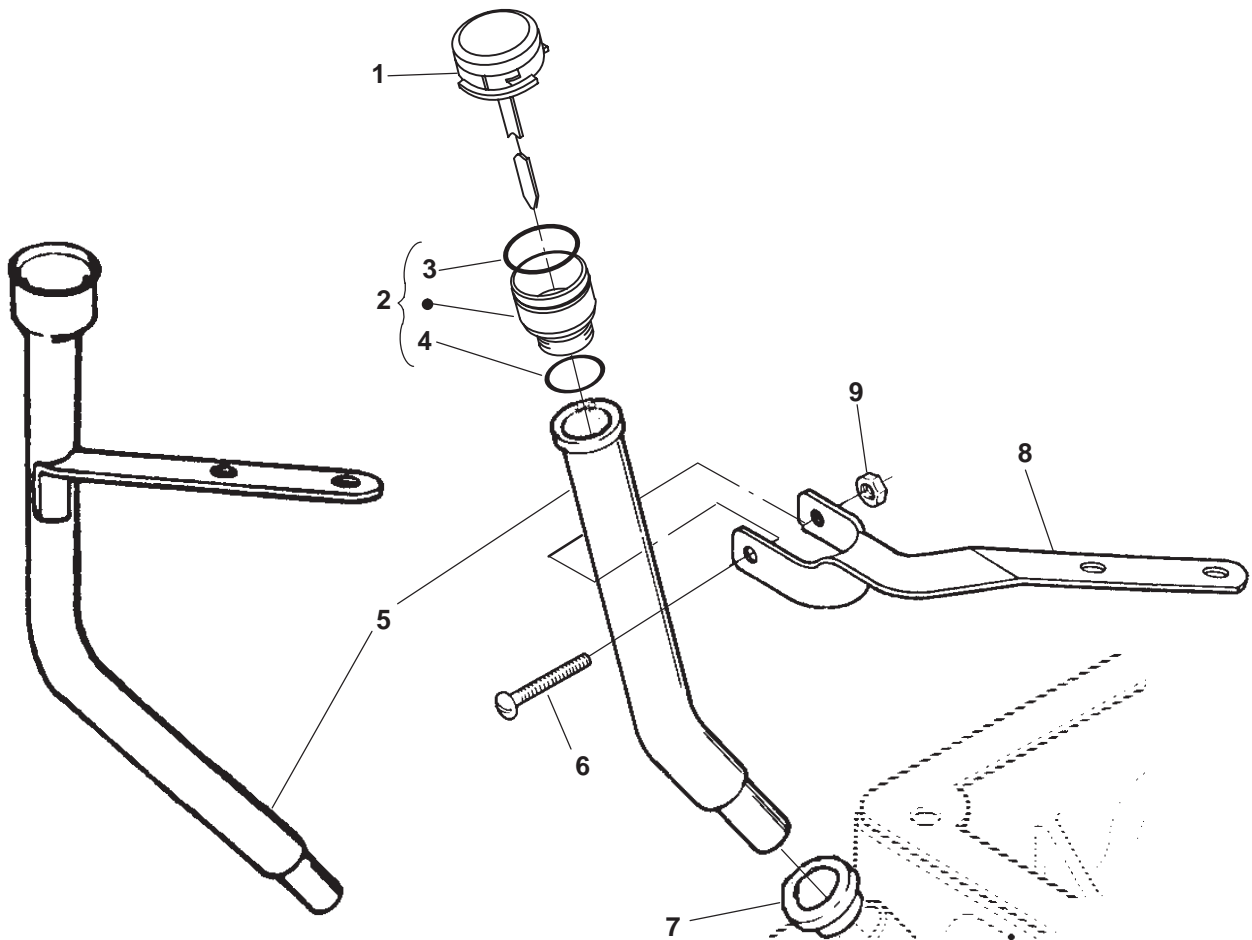
Blower Housing and Governor



Blower Housing and Governor

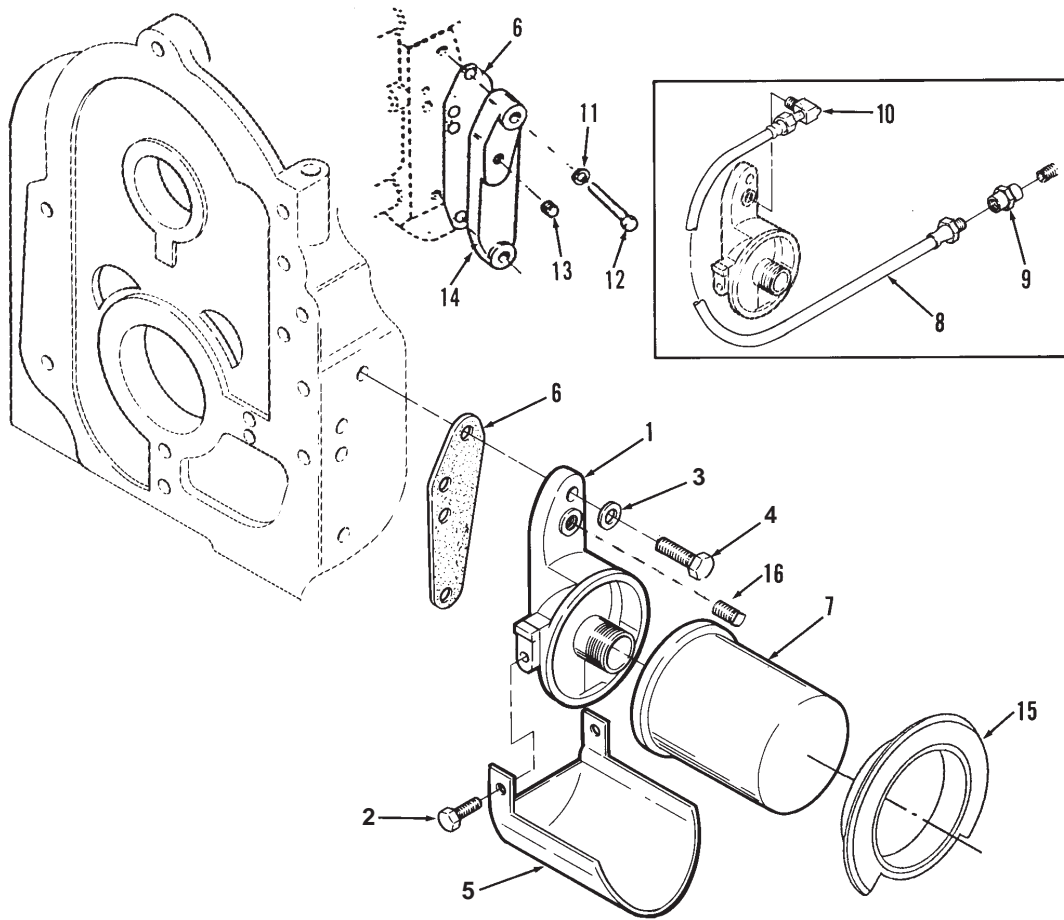
REF NO.	PART NO.	QTY USED	PART DESCRIPTION	REF NO.	PART NO.	QTY USED	PART DESCRIPTION
37			Plug, Black Nylon	49			Screw
	517-0261	1	Code 23DE – 2" Dia.		815-0575	4	Hex Washer Head (1/4-20 x 3/8")
	517-0136	1	Code 13BJ,15BB,23DH – (59/64" Dia.)		815-0721	4	Pan Head Taptite (Special) Code 23DN,13BJ,13CG, 13DA
	99-2393	1	Logo, Nameplate – Code 23DN (2.475" Dia.)				
	99-2389	1	Logo, Nameplate (Wheelhorse) Supplied by Onan	50	508-0273	1	Grommet, Air Seal – Code 17CE
38	821-0008	4	Screw, Hex Washer Head Cap (1/4-20 x 5/16")	51	150-0621	1	Nut, Acorn Governor Code 23DE, 23DC, 13CG
39	134-4560-50	1	Guard, Stationary – Painted (See Illustration) Code 23DE	52	526-0006	1	Washer, Flat (#12 Screw) Code 13BK, 13DA
40			Lever, Governor – Code 13CC	53	150-0629	1	Rod, Governor – Code 13CH
	150-2427-02	1	Zinc Plated	54	150-0639	1	Joint, Ball – Code 13CH
	150-2408-02	1	Spec B – P216, P220	55	518-0515	1	Clip, Wire – Code 13BJ, 13BK, 13CD, 13CG, 13DA
	150-2388	1	Spec C – P218	56	815-0474	1	Screw, Hex Washer Head (1/4-14 x 1/2") Code 13BJ, 13BK, 13CD, 13CG, 13DA
	150-2524-02	1	Zinc Plated – Code 13CY Begin Spec H Code 13CC	57	403-4202-02	2	Bracket Lifting
	150-2688-02	1	Miller	59			Guard, Stationary (See Illustration)
	150-2695-02	1	Lincoln, Hobart		134-4689	1	No Center Hole – Code 13BJ, 13CE, 23DE, 23DH, 23DN, 23ED, 23EJ, 23EK
	150-2524-02	1	Code 13CY		134-4689-02	1	Center Hole Dia. 3.88" Code 23DH, 23DN, 23ED, 13DA
41	150-2264	1	Bracket, Governor Adjust – Code 13CG,13BJ, 13BF	60	134-4556-01	1	Guard, Stationary (See Illustration) – Code 23DH
42	821-0010	2	Screw, Lock Head (1/4-20 x 1/2") Code 13CG, 13BJ	61	153-0632	1	Swivel, Choke Lever
43	150-0694	1	Stud, Adjusting – Code 13CG	62	800-4072	1	Screw, (Special)
44	518-0637	1	Clip, Rod End – Code 13CG	63	516-0059	1	Pin, Cotter
45	518-0004	1	Clip, Retaining – Control Rod Code 13CG, 13CH	64	526-0006	1	Washer, Flat
46	150-2460	1	Rod, Control – Code 13CG – Zinc Plated	65	517-0136	1	Plug
47	870-0131	1	Nut, Governor Adjusting Hex (W/ET 10-32) – Code 13CG				
48			Screw, Thread Cutting – Hex Head W/ET				
	815-0194	2	10-32 x 3/8"				
	815-0181	2	10-32 x 1/2"				

Oil Fill Tube and Bracket



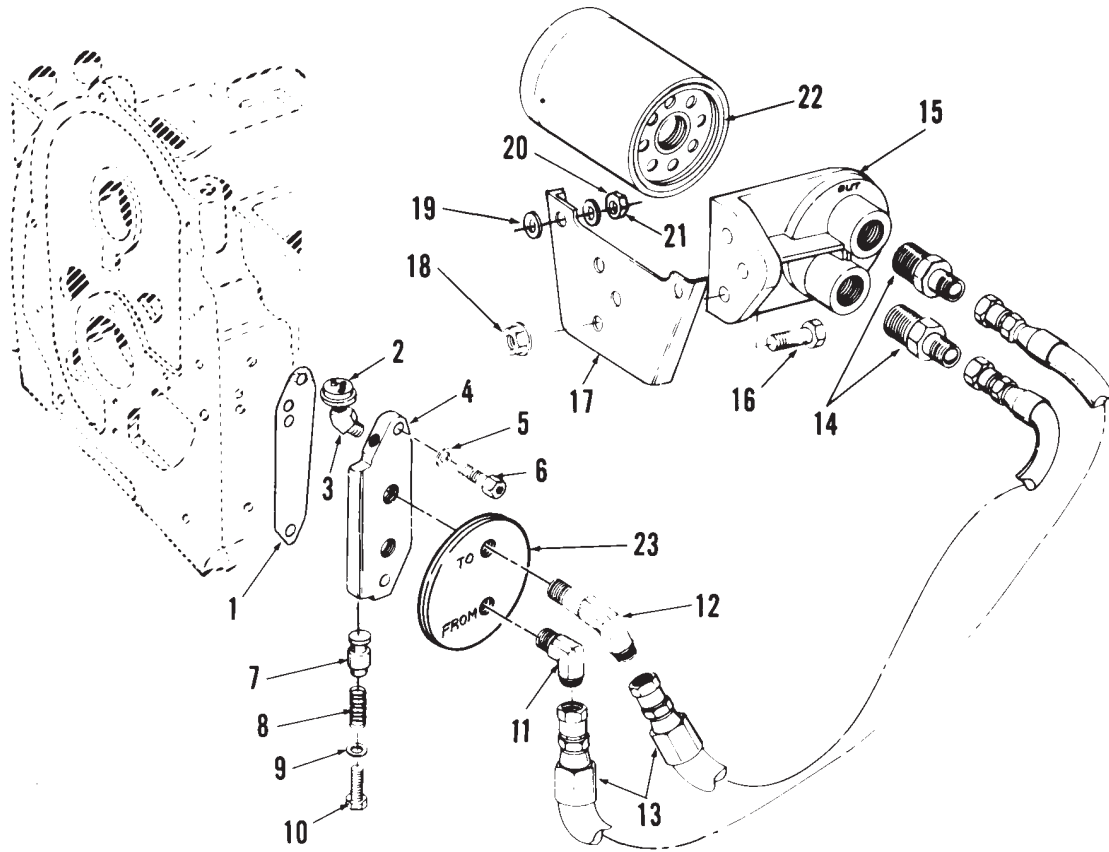
REF NO.	PART NO.	QTY USED	PART DESCRIPTION	REF NO.	PART NO.	QTY USED	PART DESCRIPTION
1	123-1961	1	Cap and Indicator, Twist-On Code 17BC Code 17BY	2	123-2105	1	Adapter Assy, Oil Tube (Includes O'Ring and Seal)
	123-1851-01	1	Use with Code 17CM or 17DU	3	509-0304	1	O'Ring
	123-1637-01	1	Use with Code 17BW, 17CG or 17DK (Screw-In Cap is 123-1637-00)	4	509-0142	1	Seal
	123-1880-01	1	Code 17BZ Use with Code 17DA Use with Code 17CG	5			Tube, Oil Fill With Welded Bracket Code 17CF
	123-1630-01	1	13.07" Indicator		123-1896-02	1	W/Straight Bracket
	123-1402-01	1	13.68" Indicator		123-1896-04	1	W/" Shaped Bracket
	123-1849-01	1	Use with Code 17CM		123-2117-02	1	W/" Shaped Bracket
	123-1402-01	1	Use with Code 17BW				W/O Welded Bracket
	123-1754-01	1	Code 17CF Use with Code 17DT		123-1685-50	1	Code 17BY
	123-2119-01	1	17.57" Indicator		123-1718-50	1	Code 17BZ, 17CH
	123-1754-01	1	16.90" Indicator		123-1729-50	1	Code 17CF
	123-1850-01	1	Use with Code 17CM or 17DH	6			Screw
	123-1860-01	1	Use with Code 17DA		815-0576	1	Pan Head (#10 x 1-1/4")
	123-1630-01	1	Code 17CH		815-0760	1	Self-Tapping - Use with Extended Tubes
	123-2119-01	1	Code 17EA	7	509-0269	1	Seal, Oil Fill Tube
				8			Bracket, Fill Tube
					123-1865-51	1	Codes 17BZ, 17CH
					123-1863-51	1	Code 17BY
				9	870-0410	1	Nut, Speed (Type U)

Oil Filter



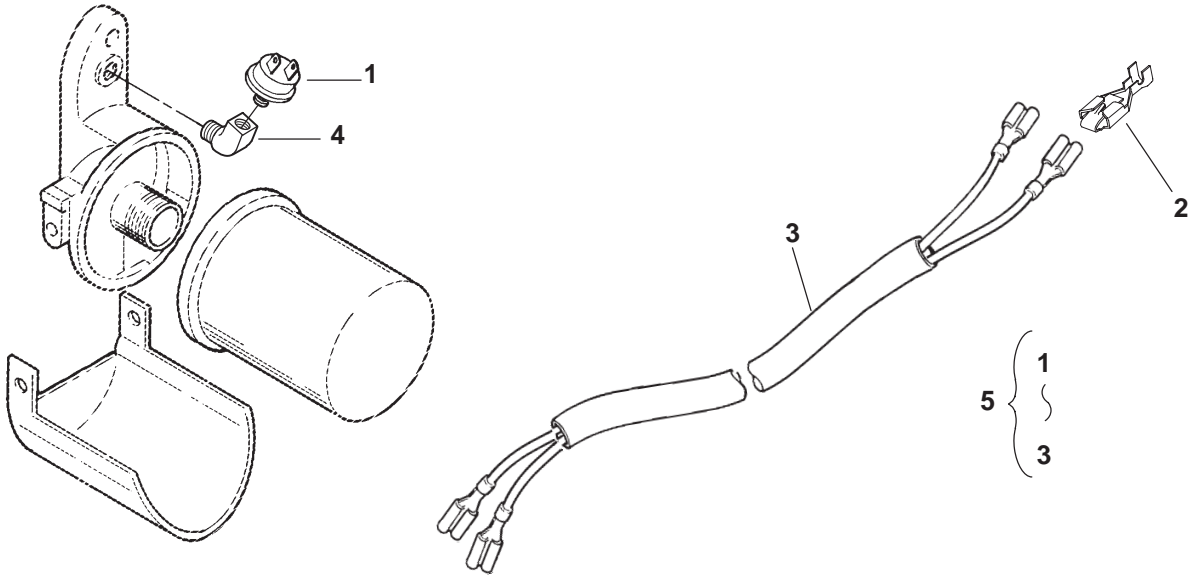
REF NO.	PART NO.	QTY USED	PART DESCRIPTION	REF NO.	PART NO.	QTY USED	PART DESCRIPTION
1	122-0814	1	Adapter, Oil Filter (Includes Screws)	8	501-0008	1	Line, Flex Oil
2	815-0194	2	Screw, Hex Head ET Cap (#10-32 x 3/8")	9	502-0017	1	Connector
3	526-0065	2	Washer, Copper Flat (5/16" Screw)	10	502-0020	1	Elbow, Street 90°
4	800-0028	2	Screw, Hex Head Cap (5/16-18 x 1")	11	526-0065	2	Washer, Copper Flat (5/16" Screw)
5	122-0360-50	1	Drain, Oil Filter (Painted)	12	800-0028-01	2	Screw, Hex Head Cap (5/16-18 x 1")
6	122-0771	1	Gasket, Oil Filter Adapter	13	505-0057	1	Plug, Countersunk (1/8")
7	122-0645	1	Filter, Oil	14	122-0438	1	Cover, Oil Filter Pad Code 11AZ,17CE
	122-0800	1	Without Hex Nut - Code 17CD,17DF (4-3/16" Long)	15	122-0502	1	Gasket, Oil Filter (Code 17CD,17CV,17DF,17DG)
	122-0469	1	With Hex Nut - Code 17CV (4.64" Long)	16	505-1426	1	Plug, Countersunk (1/8")
	122-0406	1	With Hex Nut - Code 17DG (3.8" Long)				

Remote Oil Filter



REF NO.	PART NO.	QTY USED	PART DESCRIPTION	REF NO.	PART NO.	QTY USED	PART DESCRIPTION
1	122-0771	1	Gasket, Oil Filter Adapter	14	502-0804	2	Connector, Male – Code 17CJ
2	309-0641-18	1	Switch, LOPKO	15	122-0476	1	Base, Remote Oil Filter Code 17CJ
	309-0546	1	2 Terminal, Normally Open Code 17CK,35AV	16	800-0027	3	Screw, Hex Head Cap (5/16-18 x 7/8")
		1	1 Terminal, Normally Closed Code 17AS,17CJ,35AU	17	122-0559	1	Bracket, Remote Oil Filter Code 17CJ
3	502-0053	1	Elbow, Street	18	870-0257	3	Nut, Self-Lock (5/16-18")
	505-0049	1	45° – Code 17AS, 17CJ	19	526-0030	2	Washer, Flat (3/8" Screw)
	122-0369	1	90° – Code 17CK	20	526-0174	2	Washer, Flat (13/32" ID x 25/32" OD x .1345 Thk)
4	526-0065	2	Adapter, Oil Filter	21	862-0003	2	Nut, Hex (5/16-18")
5	802-0056	2	Washer, Copper Flat (5/16" Screw)	22	122-0469	1	Filter, Oil – Code 17CJ
6	120-0398	1	Screw, Socket Head Cap (5/16-18 x 1-1/4")	23	508-0249	1	Grommet, Air Seal W/Oil Line Holes
7	120-0140	1	Plunger, Bypass		508-0273	1	W/O Oil Line Holes
8	526-0066	1	Spring, Bypass Valve		505-0057	1	Plug, Square Head – Units Without Lopko Switch (Not Shown)
9	801-0047	1	Washer, Flat (3/8" Screw)				
10	801-0047	1	Screw, Hex Head Cap (3/8-24" x 5/8")				
11	502-0805	1	Elbow, Male (From Filter) 90°				
12	502-0806	1	Elbow, Male (To Filter) 90°				
13	501-0498	2	Hose, Oil				
	501-0440	2	Specs A, B – Code 17CJ Begin Spec C – Code 17CJ				

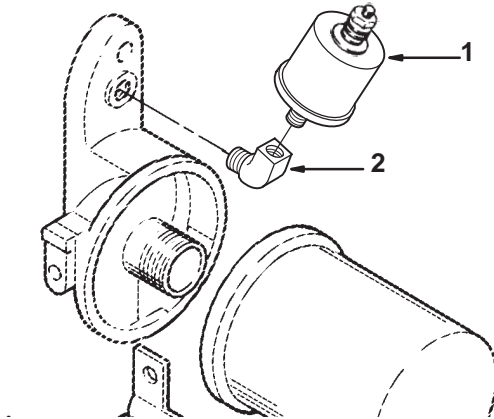
Low Oil Pressure Cut-Off Switch



REF NO.	PART NO.	QTY USED	PART DESCRIPTION	REF NO.	PART NO.	QTY USED	PART DESCRIPTION
1			Switch, LOPKO Spec A-D	309-0646-01		1	Code 35AH, 1 Terminal – Normally Open 2.06" Long
	309-0546	1	Code 35AU, 1 Terminal – Normally Closed – 2.01" Long	309-0646-04		1	Code 35BV, 3 Terminal – One Terminal Normally Open, One Terminal Normally Closed with External Common Ground
	309-0641-18	1	Code 35AV, 2 Terminal – Normally Open – 1.87" Long	309-0661		1	Code 35DL
	309-0558	1	Code 35BW, 2 Terminal – One Terminal – Normally Open, One Terminal – Normally Closed and Internally Grounded – 2" Long	2	332-2301	2	+*Tab, Faston
	309-0641-17	1	Code 35AH, 1 Terminal – Normally Open 2.06" Long	3	338-2211	1	Harness, LOPKO Spec A-D
	309-0583	1	Code 35BV, 3 Terminal – One Terminal Normally Open, One Terminal Normally Closed with External Common Ground	3	338-3183	1	+* Begin Spec E
	309-0615	1	Begin Spec E Code 35AU, 1 Terminal – Normally Closed – 2.01" Long	4	502-0053	1	Elbow, 45° Street (Spec A-D) Code 17DF, 35AV, 35BW, 35AH, 35BV
	309-0646-02	1	Code 35AV, 2 Terminal – Normally Open – 1.87" Long	5	541-0235	1	Kit, LOPKO 1 Terminal LOPKO (Includes Parts Marked *) 2 Terminal LOPKO
	309-0646-03	1	Code 35BW, 2 Terminal – One Terminal – Normally Open, One Terminal – Normally Closed and Internally Grounded – 2" Long		541-0319	1	1 Open, 1 Closed (Includes Parts Marked +)
					541-0236	1	Both Open (Includes Parts Marked •)

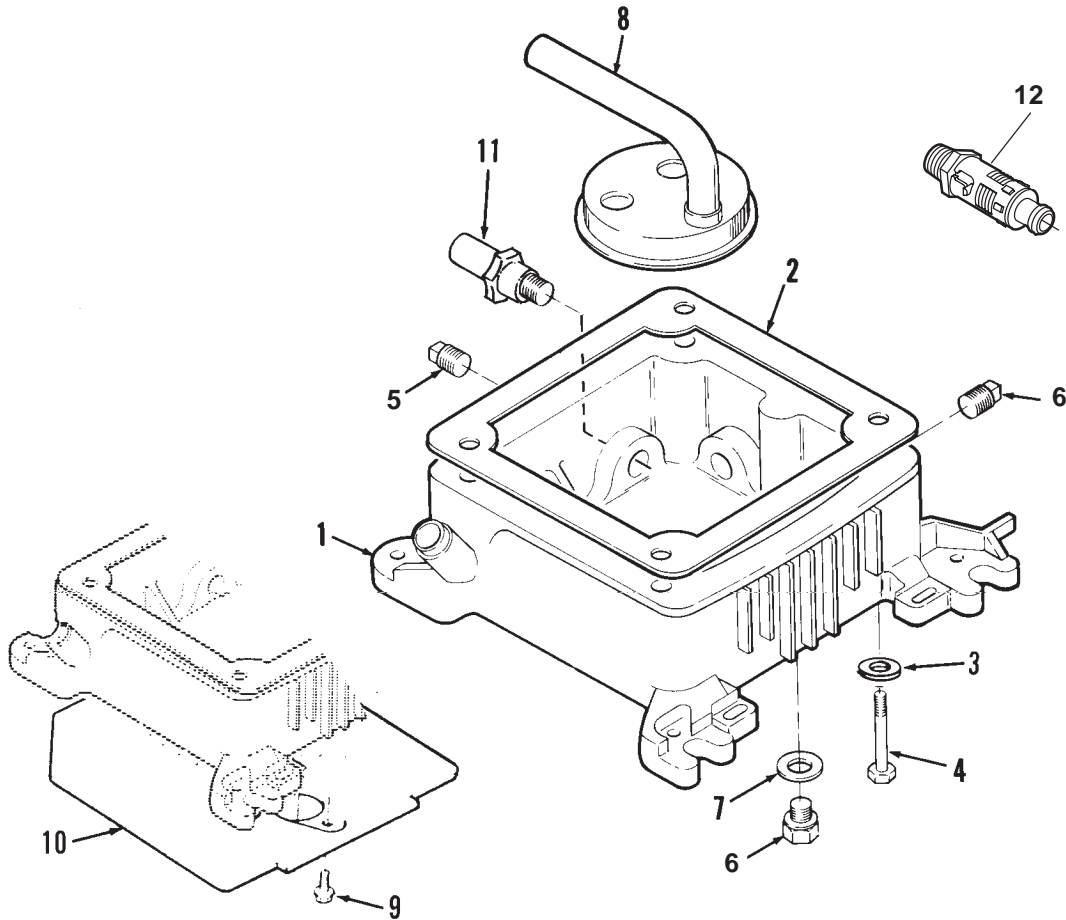
- * – Parts Included in 1 Terminal LOPKO Kit.
- + – Parts Included in 2 Terminal (1 Open, 1 Closed) LOPKO Kit.
- – Parts Included in 2 Terminal (Both Open) LOPKO Kit.

Oil Pressure Sender



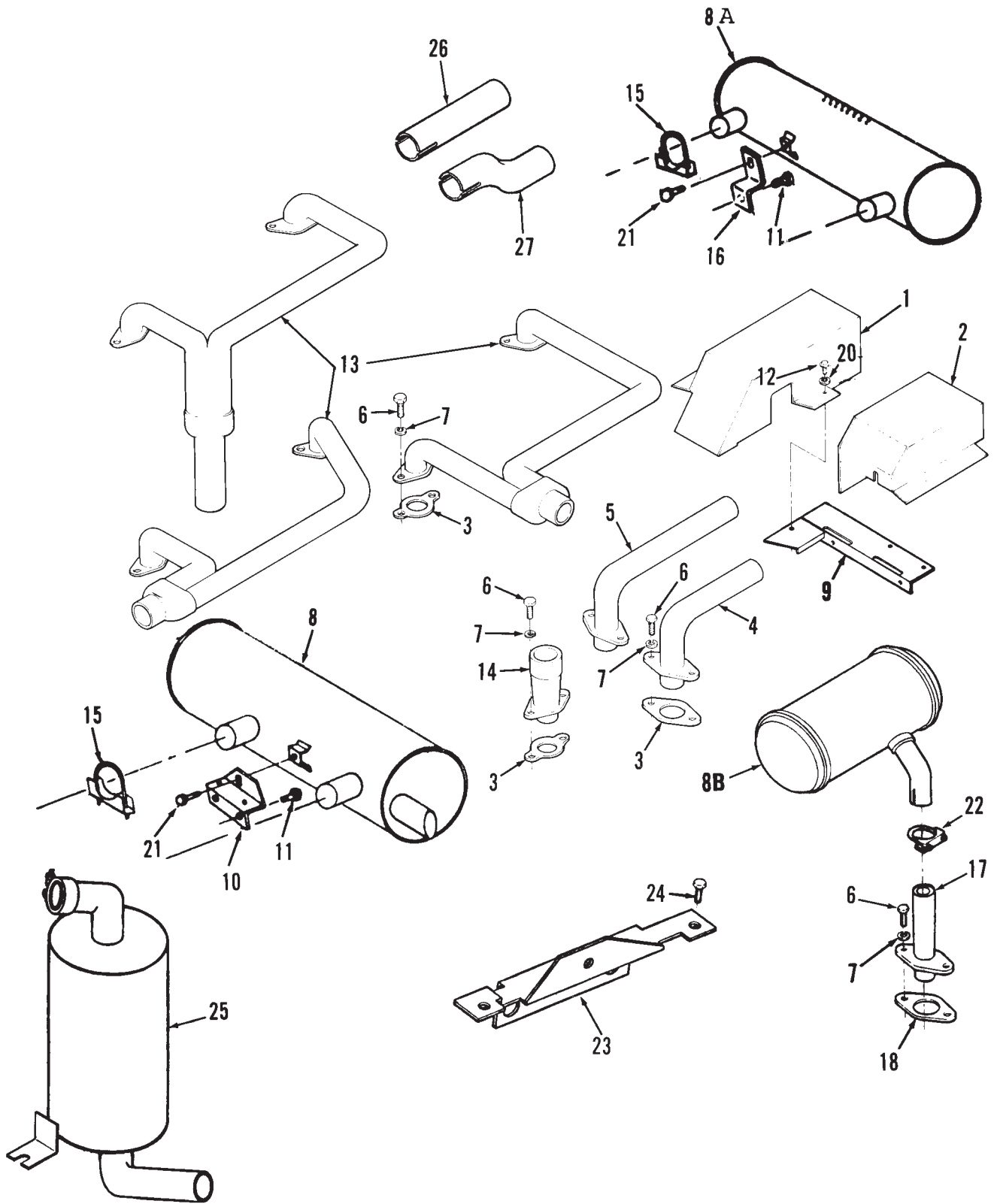
REF NO.	PART NO.	QTY USED	PART DESCRIPTION
1			Sender, Oil Pressure Gauge (40 P.S.I.)
	193-0389	1	Spec A-D
	309-0646-01	1	Begin Spec E
2	502-0053	1	Elbow, 45° Street

Oil Base



REF NO.	PART NO.	QTY USED	PART DESCRIPTION	REF NO.	PART NO.	QTY USED	PART DESCRIPTION
1			Base, Oil (Includes All Plugs and Plug Gasket)	6	102-0938	1	Plug, Hex Head (Special) Code 17CM, 17DA, 17DE, 17DM
	102-1325	1	1.75 Quart – Code 17BW, 17CG, 17DE, 17DK, 17DM, 17DT	7	102-0743	1	Gasket, Hex Head Plug – Code 17CM, 17DA, 17DE, 17DM
	102-1338	1	2.5 Quart – Multi Drain Code 17CM, 17DH, 17DL, 17DU	8			Cup, Oil Pump Intake
	102-1286	1	4 Quart – Code 17BC	120-0713	1		Code 17BW, 17CG, 17DE, 17DK
	102-1384	1	3 Quart – Code 17DA	120-1215	1		Code 17CM, 17DH, 17DL
2	102-1387	1	Gasket, Oil Base	120-1230	1		Code 17DA
3	526-0251	4	Washer, Flat (3/8" Screw)	123-1616	1		Code 17BC
4			Screw, Hex Head Cap	9	815-0340	2	Screw, Hex Washer Head (10-32 x 3/8") – Code 23DV
	800-0061	4	(3/8-16 x 3-3/4") Code 17BW, 17CG, 17DE, 17DK	10	134-3864-50	1	Baffle, Oil Base Code 23DV
	800-0200-01	4	(3/8-16 x 5-3/4") Code 17CM, 17DH, 17DL	11	309-0625	1	Switch, Oil Temperature – Open 345° – Code 17DE, 17DM
	800-0302	4	(3/8-16 x 5-1/2") Code 17DA	12	504-0186	1	Valve, Shutoff
	800-0058	4	(3/8-16 x 3") Code 17BC				
5			Plug, Square Head (3/8")				
	505-0110	2	Code 17BW, 17CG, 17CM, 17DA				
	505-0110	1	Code 17DE, 17DH, 17DM				
	505-1475	1	Code 17DK, 17DL				

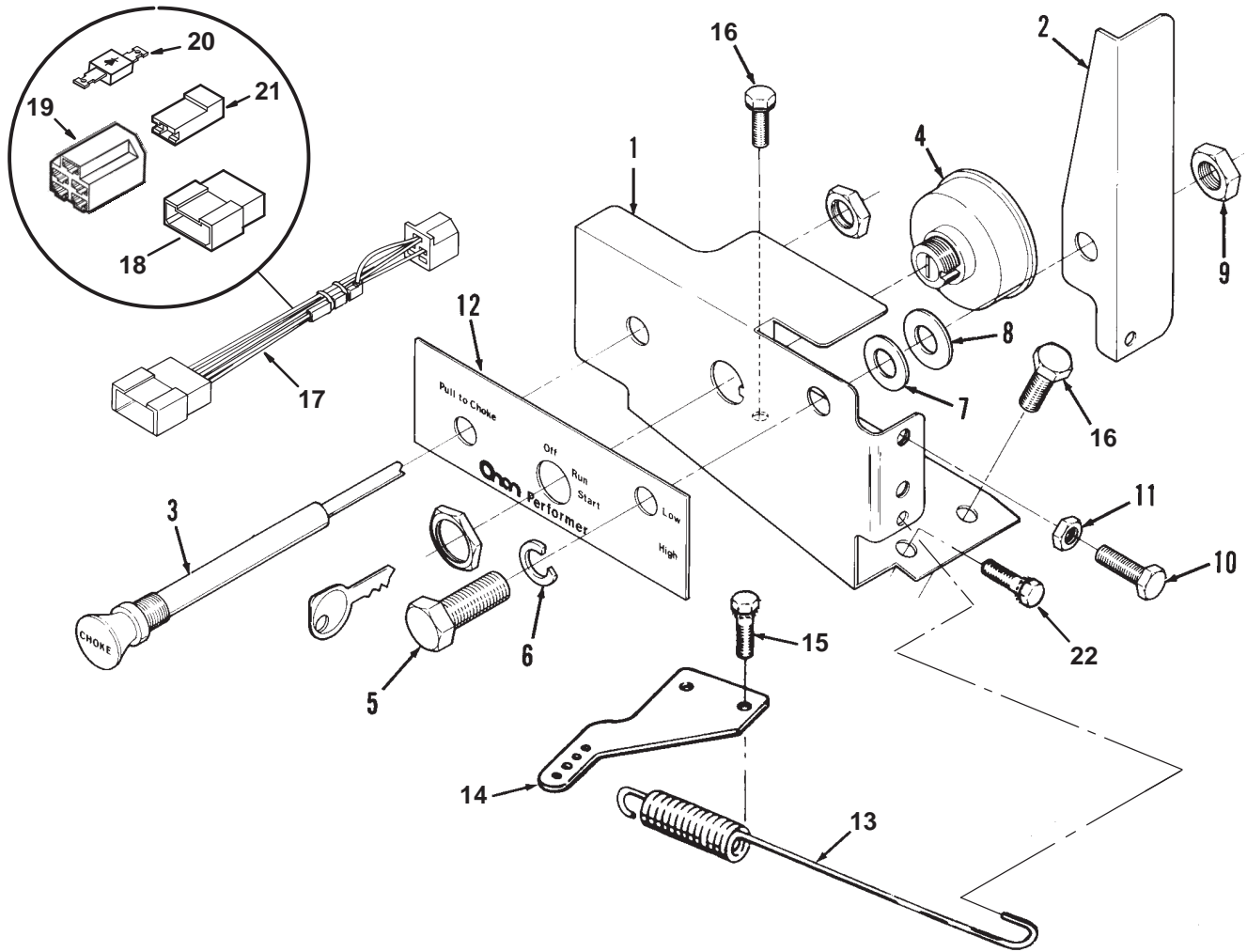
Exhaust System



Exhaust System

REF NO.	PART NO.	QTY USED	PART DESCRIPTION	REF NO.	PART NO.	QTY USED	PART DESCRIPTION
1	134-4254-50	1	Cover, LH Exhaust Tube Code 21AW, 21BE, 21BH, 21BJ, 21BM – Painted	11	821-0029	2	Screw, Lock Head (3/8 x 3/4") Code 21BF – Use with Muffler – 155-2320
	134-3891-50	1	Code 21CE, 21BB – Painted		821-0029	1	Use with Muffler #155-2255, 155-2321
	134-4672-50	1	Code 21BF – Painted				
2	134-4655-50	1	Cover, RH Exhaust Tube Painted – Code 21BB, 21BE, 21BF, 21BH, 21BM, 21BW, 21CE	12	821-0009	2	Screw, Hex Washer Self-Lock Head (1/4-20 x 3/8") – Code 21BB, 21BE, 21BM, 21BH
3	154-2746	2	Gasket, Exhaust	13	154-2178-50	1	Manifold, Exhaust Rear Right Down
4	154-2343-50	1	Adapter, RH Exhaust 1-1/4" OD Outlet – Painted Code 21AW, 21BE, 21BJ, 21BM		154-2243-50	1	Rear Outlet
	154-2128-50	1	1-1/4" OD Outlet – Painted Code 21BB, 21BD, 21CE		154-2613-50	1	Right Outlet
	154-2709	1	1.405" OD Outlet Code 21BF		541-0377	1	Crossover – Code 21BG, 21BH, 21CA
5	154-2344-50	1	Adapter, LH Exhaust 1-1/4" OD Outlet – Painted Code 21AW, 21BE, 21BJ, 21BM	14	154-1958-50	2	Adapter, Exhaust (Flange Type) – Code 21AG (1.28" OD Tapers to 1.13"OD, 4-1/2" Long)
	154-2129-50	1	1-1/4" OD Outlet – Painted Code 21BB, 21BD, 21CE	15	155-1257	2	Clamp, Muffler – (1-3/8" Dia)
	154-2710	1	1.405" OD Outlet Code 21BF	16	155-2302-01	1	Support, Muffler – Use with Muffler 155-2255, 155-2321
6	800-0026	4	Screw, Cap Hex Head (5/16-18 x 3/4")	17	154-2713-50	2	Adapter, Exhaust Manifold – Painted – (1.12" OD, 4-1/4" Long) Code 21AG, 21BZ
7	850-0045	4	Washer Lock 5/16" – Code 21BJ, 21BK, 21BW	18	154-2746	2	Gasket, Exhaust Manifold
	740-1006	4	Flat (M8) – All Others	19	800-0512	4	Screw, Hex Head Cap (5/16-18 x 1")
8	155-2320	1	Muffler, Exhaust – 16.55" Long	20	850-0045	2	Washer, Lock – Code 21BH (3/8")
8A			Muffler, Exhaust – 2 Inlets Mounts Horizontal	21	821-0014	1	Screw, Lock Head (5/16-18 x 1/2")
	155-2255	1	Rear, Center Exhaust – 15" Long	22	155-1256	2	Clamp, Muffler (1-1/8")
	541-0379	1	End, Discharge Tube – (Kit) 16" Long – P216, P220	23	155-2264-50	1	Bracket, Muffler Support – Code 21BF – Painted
8B	155-2300	2	Muffler (Use in Pairs) – Use With Adapter 154-2713	24	821-0008	2	Screw, Lock Head (1/4-20 x 5/16") Code 21BF
9			Support, Exhaust Cover Code 21BB – Painted	25	155-2521	1	Muffler, Exhaust – Single Inlet – Mounts Vertically
	134-4983-50	1	Code 21BH, 21BE – Painted	26	154-2840	1	Tube, Exhaust – Straight Use with Muffler Kit 541-0379
	134-4445-50	1	Code 21BF, 21BM – Use with Muffler 155-2320 – Painted	27	154-2841	1	Tube, Exhaust – Offset – Use with Muffler Kit 541-0379
10	155-2329-50	1	Bracket, Muffler Support – Code 21BF, 21BM – Use with Muffler 155-2320 – Painted				

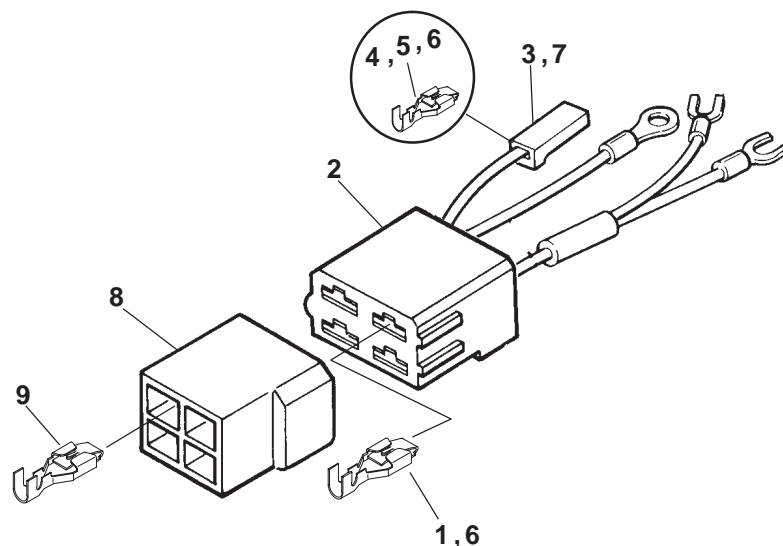
Control Panel



REF NO.	PART NO.	QTY USED	PART DESCRIPTION	REF NO.	PART NO.	QTY USED	PART DESCRIPTION
1	301-9964-51	1	Panel, Control	15	815-0194	3	Screw, ET Hex Head Thread Cutting (10-32 x 3/8")
2	150-2184	1	Lever, Control	16	821-0009	2	Screw, Hex Washer Head Self-Lock (1/4-20 x 3/8")
3	153-0606	1	Choke, Manual	17	338-3689	1	Harness, Control With LOPKO (Includes Parts Marked *)
4	308-0385	1	Switch, Ignition (Includes Keys)	338-3690	1	Without LOPKO (Includes Tab Housing Connector and 5 Pin Connector Body)	
5	800-0050	1	Screw, Hex Head Cap (3/8-16 x 1")	18	323-0916	1	*Connector, Tab Housing
6	851-0029	1	Washer, Lock (3/8")	19	323-0987	1	*Body, Connector (5 Pin)
7	526-0029	1	Washer, Flat (3/8" Screw)	20	357-0030	1	*Rectifier, Silicon
8	508-0284	1	Washer, Nylon Flat (3/8" Screw)	21	323-1216	1	*Body, Connector (Single Pin)
9	870-0297	1	Nut, Lock (3/8-16)	22	815-0378	1	Screw, Hex Washer Head (#14 x 1/2")
10	815-0650	2	Screw, Hex Washer Head (1/4-20 x 1")				
11	862-0001	2	Nut, Hex (1/4-20)				
12	98-5735	1	Decal, Control Panel				
13	150-1755	1	Spring, Governor Return				
14	150-1754-01	1	Adapter, Governor Arm Zinc Plated				

* - Parts Included in Control Harness.

Engine Harness (Code 35BB, 35BD, 35BH, 35CG)



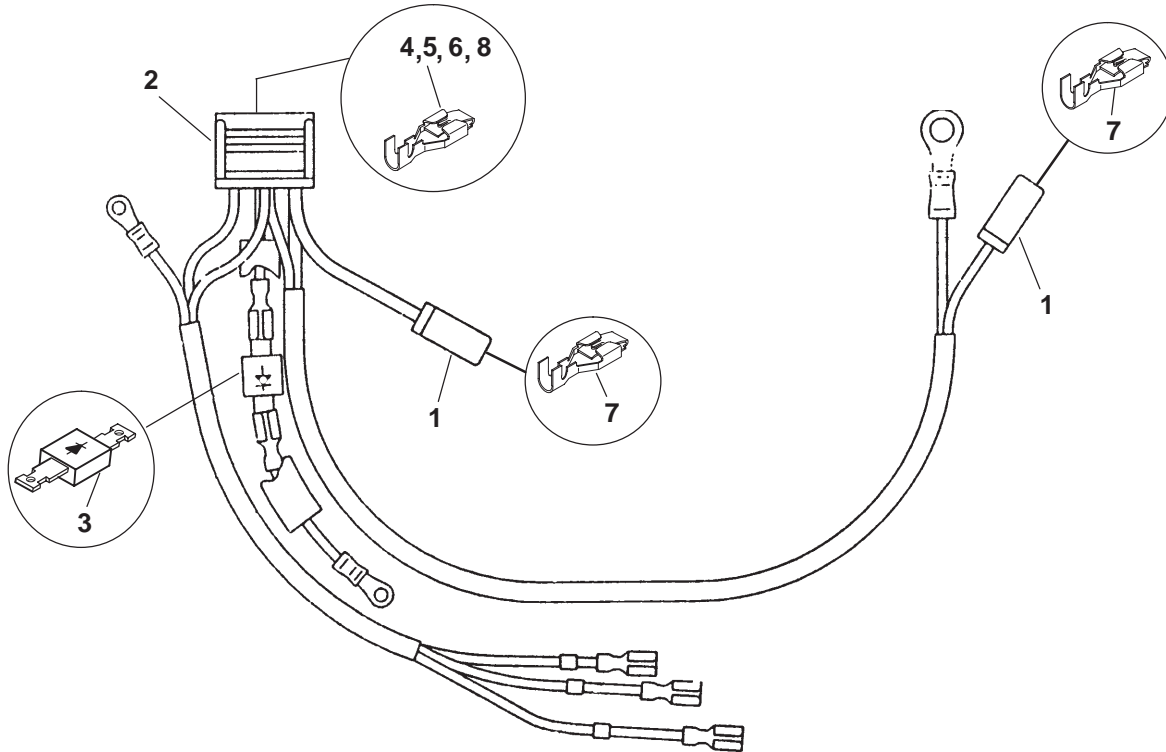
REF NO.	PART NO.	QTY USED	PART DESCRIPTION	REF NO.	PART NO.	QTY USED	PART DESCRIPTION
			Harness, Engine	1	332-2890	4	•+Terminal, Tab
338-2390		1	W/O LOPKO (2 Wire, 4 Pin) (Code 35BB, 35CG) (Includes Parts Marked *)	2	323-1381	1	*•+Housing, 4-Way Receptacle
			With LOPKO (4 Wire, 4 Pin) Spec A-D	3	323-1216	1	•+Housing, Receptacle
			Code 35BD	4	332-2870-02	1	+Terminal, Receptacle (.25)
			14-15" LOPKO Leads (Includes Parts Marked *)	5	332-2870-01	3	•Terminal, Receptacle (.25)
			24-25" LOPKO Leads (Includes Parts Marked +)	6	332-2715	AR	*Terminal, Receptacle (Qty 2,4,5)
338-2075		1	Code 35BB, 35BH (Includes Parts Marked *)	7	332-0819	1	*Housing, Receptacle
			Begin Spec E	8	323-1382	1	Housing, 4-Way Tab
			Code 35BD	9			Terminal, Tab
			15-16" LOPKO Leads (Includes Parts Marked *)		332-2301	4	20A Charging System
338-2162		1	5" VR Lead		332-1503	1	35A Charging System
338-2075		1	14" VR Lead				
			25-26" LOPKO Leads				
338-3179		1	11" VR Lead (Includes Parts Marked +)				
338-3358		1	22" VR Lead (Includes Parts Marked •)				
338-3181		1	Code 35BB, 35BH (Includes Parts Marked *)				
338-3357		1					
338-3179		1					

* - Parts Included in Harness 338-2390, 338-2075, 338-3179, 338-3358.

+ - Parts Included in Harness 338-2162, 338-3181.

• - Parts Included in Harness 338-3357.

Engine Harness (Code 35BC, 35BZ, 35CC, 35CH, 35CJ, 35DB)



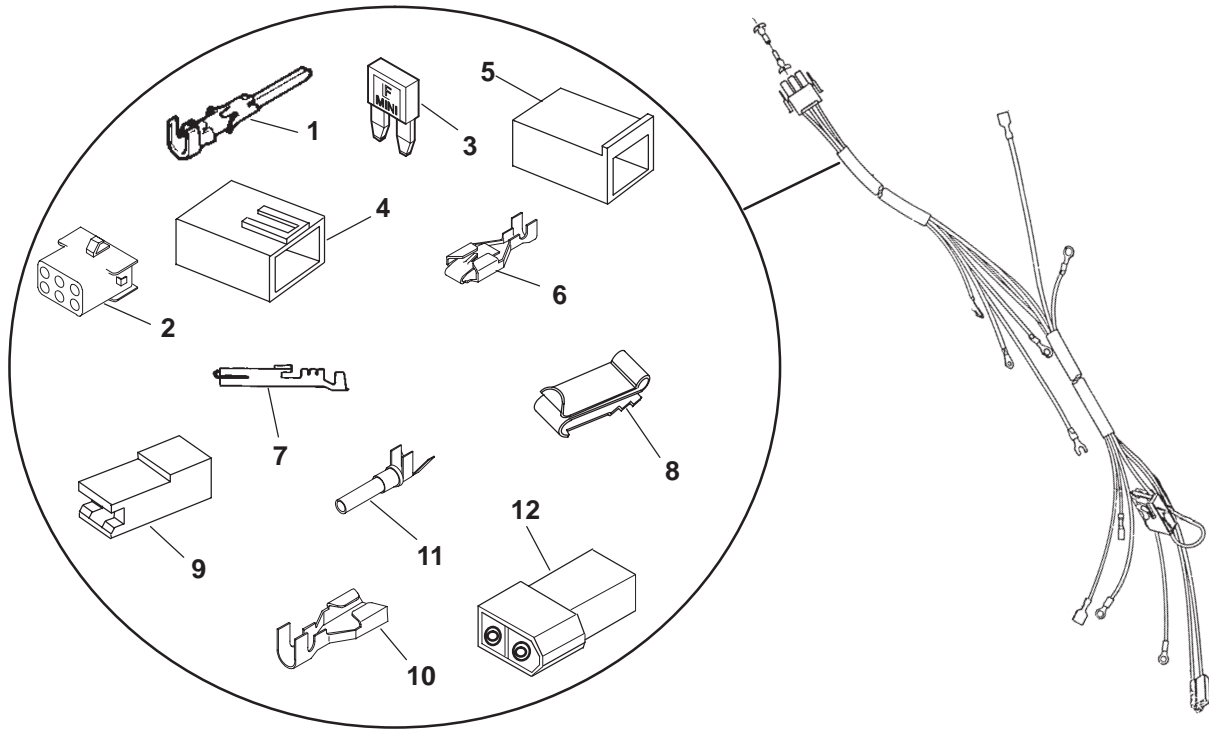
REF NO.	PART NO.	QTY USED	PART DESCRIPTION	REF NO.	PART NO.	QTY USED	PART DESCRIPTION
			Harness, Engine	1	332-0819	2	+*Housing, Receptacle
			With LOPKO	2			Housing, 6-Way Receptacle
			Spec A-D (Code 35BC, 35BZ)		323-1386	1	+• Code 35CC
					323-0987	1	* Code 35BC, 35BZ
338-2104-02		1	W/O Rectifier (Includes Parts Marked +)	3	357-0030	1	*•Rectifier, Silicon
338-2805		1	W/Rectifier (Includes Parts Marked *)	4	332-2073	1	*Receptacle, Lock
			Begin Spec E	5	332-3165	1	*Receptacle, Lock
338-3178-02		1	Code 35BC, 35BZ, 35CH (W/O Rectifier) (Includes Parts Marked +)	6	332-3143	1	*Receptacle, Lock
338-3186		1	Code 35BC, 35BZ, 35DB (W/Rectifier) (Includes Parts Marked *)	7	332-2715	2	+*Terminal, Receptacle
			Without LOPKO	8	332-2890	5	+•Terminal, Receptacle
			Spec A-D				
338-2104-01		1	Code 35BL, 35CH, 35CJ (Includes Parts Marked +)				
338-2804-01		1	Code 35CC (Includes Parts Marked •)				
			Begin Spec E				
338-3178-01			Code 35BC, 35BZ, 35CH, 35CJ (Includes Parts Marked +)				
338-3185-01		1	Code 35CC (Includes Parts Marked •)				

* - Parts Included in Harnesses 338-2805, 338-3186.

• - Parts Included in Harnesses 338-2804-01, 338-3185-01.

+ - Parts Included in Harnesses 338-2104-01, 338-2104-02, 338-3178-01, 338-3178-02.

Engine Harness (Code 35BE)



REF NO.	PART NO.	QTY USED	PART DESCRIPTION	REF NO.	PART NO.	QTY USED	PART DESCRIPTION
		1	Harness, Engine	1	323-1200	*6	#•+ Socket, Contact
			Spec A-D	2	323-1317	1	#•+ Plug, Connector (6 PI)
338-2216		1	W/30A Blade Fuse (Includes Parts Marked +)	3	321-0291	1	+ Fuse, 30A Blade
338-2843		1	W/O Fuse (Includes Parts Marked #)	4	323-1424	1	+ Cap, Connector
			Spec E-G	5	332-0819	1	+ Housing, Receptacle Terminal
338-3192		1	W/30A Blade Fuse (Includes Parts Marked +)	6	332-2715	1	+ Terminal, Receptacle
338-3193		1	W/O Regulator Lead (Includes Parts Marked #)	7	332-2922	2	+ Terminal, Receptacle
338-3194		1	W/Oil Temp Switch Lead (Includes Parts Marked #)	8	332-2923	1	+ Clip, Connector
338-3325		1	W/Ground Lead (Includes Parts Marked •)	9	323-1216	*2	#• Housing, Receptacle
			Begin Spec H	10	332-2870-01	*4	#• Terminal, Receptacle (.25)
338-3551		1	W/30A Blade Fuse (Includes Parts Marked +)	11	323-1679	2	• Socket, Contact
338-3552		1	W/O Fuse (Includes Parts Marked #)	12	323-1697	1	• Plug (2 Cir)

* - Use As Needed.

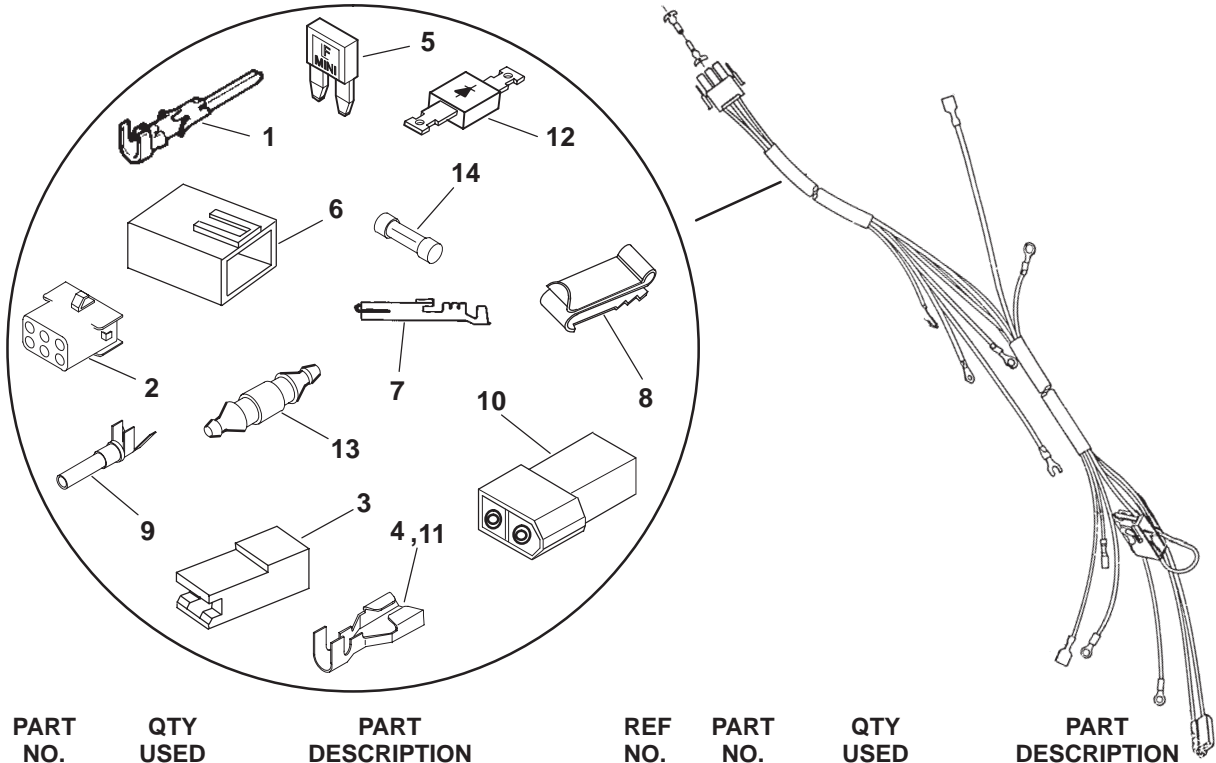
+ - Parts Included in Harness 338-2216 and 338-3192.

- Parts Included in Harness 338-2843, 338-3193, 338-3194 and 338-3552.

• - Parts Included in Harness 338-3325.

♦ - Parts Included in Harness 338-3551.

Engine Harness (Code 35CL,35CV 35DD, 35DE, 35DJ)



REF NO.	PART NO.	QTY USED	PART DESCRIPTION	REF NO.	PART NO.	QTY USED	PART DESCRIPTION
			Harness, Engine	1	323-1200	*6	#Socket, Contact
			Spec A-D	2	323-1317	1	#Plug, Connector (6 PI)
338-3086		1	Code 35CV (Includes Parts Marked # and +)	3	323-1216	*2	#Housing, Receptacle
338-2844		1	Code 35CL (Includes Parts Marked #)	4	332-2870-01	*4	#Terminal, Receptacle (.25)
			Spec E-G	5	321-0291	1	~Fuse, 30A Blade
338-3195		1	Code 35CV 13" Starter B+ Lead (Includes Parts Marked # and +)	6	323-1424	1	~Cap, Connector
338-3325		1	15" Starter B+ Lead (Includes Parts Marked # and +)	7	332-2922	2	~Terminal, Receptacle
338-3421		1	Code 35DE (Includes Parts Marked # and •)	8	332-2923	1	~Clip, Connector
338-3505		1	Code 35DJ (Includes Parts Marked # and ~)	9	323-1679	2	◇~•+Socket, Contact
338-3420		1	Code 35DD (Includes Parts Marked # and j)	10	323-1697	1	◇~•+Plug (2 Cir)
			Begin Spec H	11	332-2870-02	2	◇j~•Terminal, Receptacle (.25)
338-3556		1	Code 35DD W/O Grd Wire (Includes Parts Marked # and j)	12	357-0030	1	◇j~•Rectifier, Silicon
338-3642		1	W/Grd Wire (Includes Parts Marked # and j)	13	321-0362	1	◇Holder, Fuse
338-3589		1	Code 35DJ W/30A Blade Fuse (Includes Parts Marked # and ~)	14	321-0364	1	◇Fuse, 30A Cartridge
338-3653		1	W/30A Cartridge Fuse (Includes Parts Marked # and ◇)				
338-3653		1	Code 35DE (Includes Parts Marked # and ◇)				

* - Use As Needed.

+ - Parts Included in Harness 338-3086, 338-3195 and 338-3325.

- Parts Included in All Harness Listed on This Page.

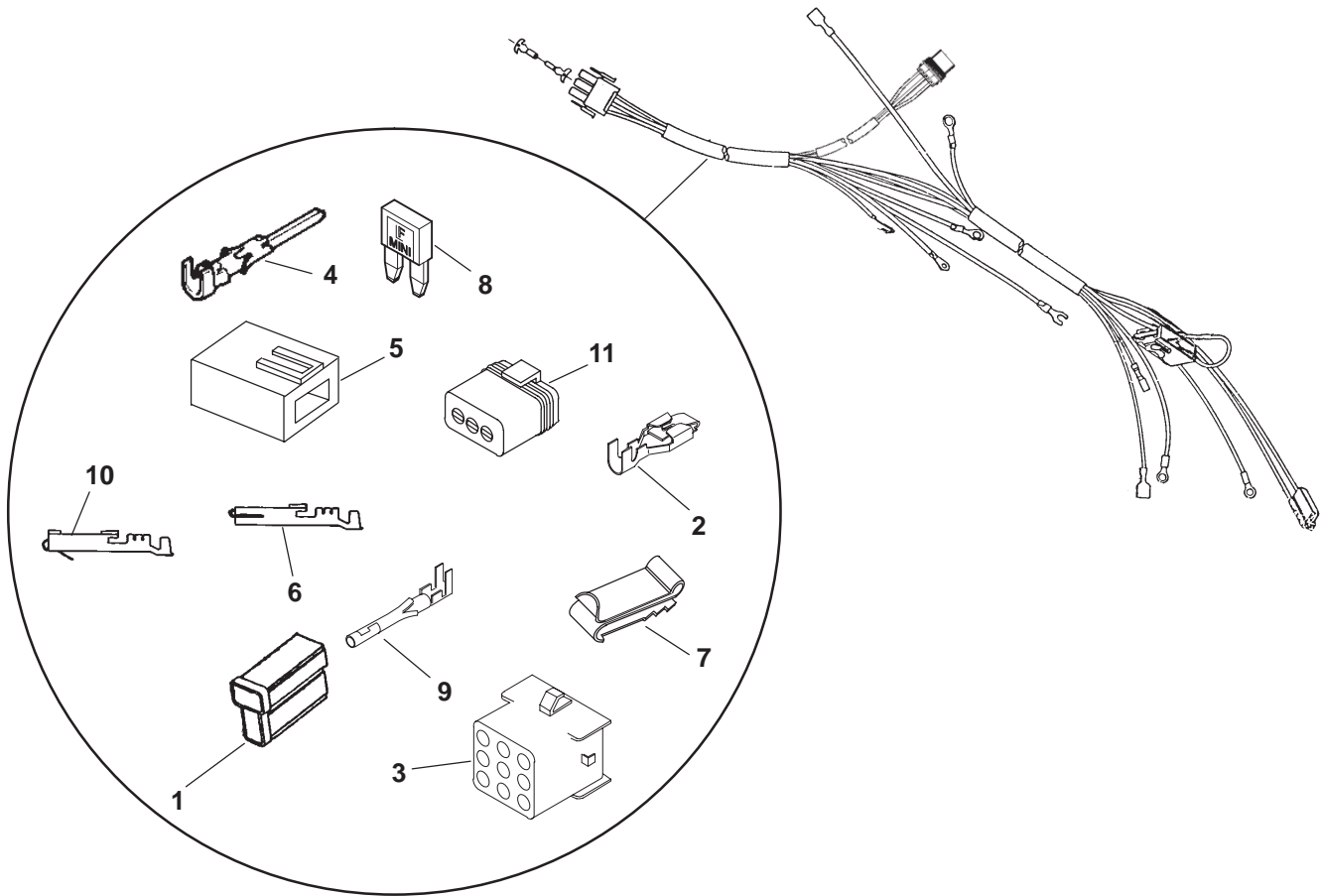
• - Parts Included in Harness 338-3421.

~ - Parts Included in Harness 338-3505 and 338-3589.

j - Parts Included in Harness 338-3420, 338-3556 and 338-3642

◇ - Parts Included in Harness 338-3653.

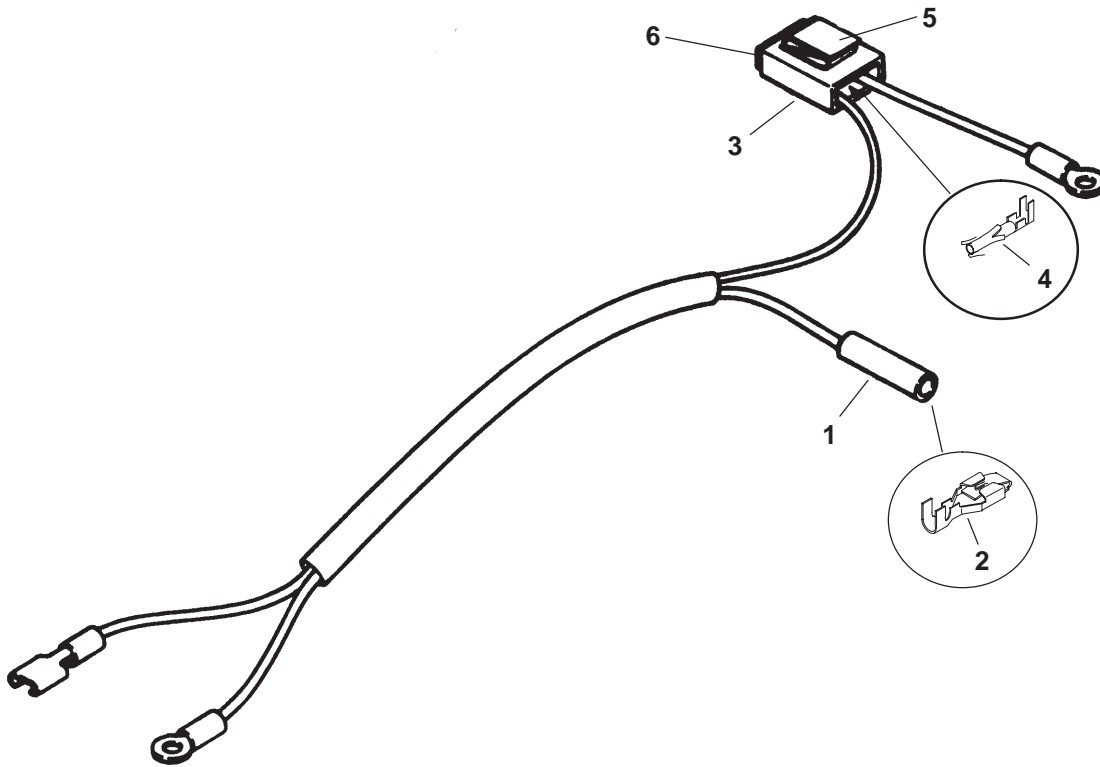
Engine Harness (Code 35BK)



REF NO.	PART NO.	QTY USED	PART DESCRIPTION	REF NO.	PART NO.	QTY USED	PART DESCRIPTION
			Harness, Engine	5	323-1424	1	*Cap, Connector
	338-2175	1	Spec B (Includes Parts Marked *)	6	332-2922	2	*Terminal, Receptacle
	338-2504	1	Spec C, D (Includes Parts Marked +)	7	332-2923	1	*Clip, Connector
	338-3191		Spec E-G (Includes Parts Marked +)	8	321-0291	1	*Fuse, 30 Ampere
	338-3631		Begin Spec H (Includes Parts Marked •)	9	323-1199	9	Pin, Contact
1	323-1085	1	+*Connector, Male	10	332-3096-01	3	•Socket, Terminal
2	332-2073	1	+*Terminal, Lock - Receptacle	11	323-1774	1	•Connector, Sealed
3	323-1291	1	+*Cap, Connector				
4	323-1200	9	+*Socket, Contact				

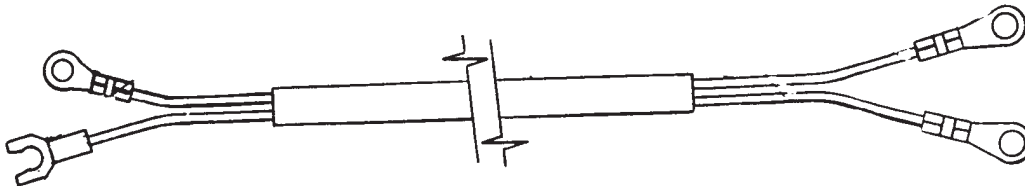
* - Parts Included in Spec B Harness.
+ - Parts Included in Spec C-G Harnesses.
• - Parts Included in Spec H Harness.

Engine Harness (Code 35BJ)



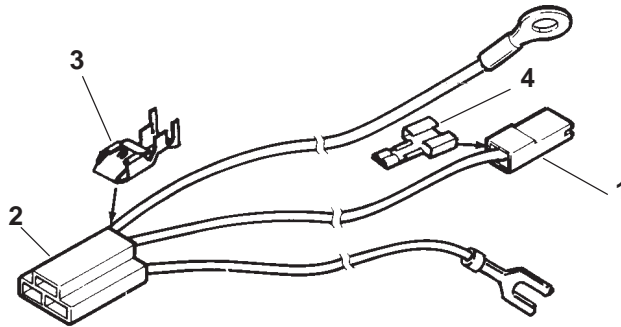
REF NO.	PART NO.	QTY USED	PART DESCRIPTION	REF NO.	PART NO.	QTY USED	PART DESCRIPTION
	338-2259	1	Harness, Engine	4	332-2922	2	Terminal, Receptacle
1	323-1296	1	Connector, Male	5	332-2923	1	Clip, Connector
2	332-2073	1	Terminal, Receptacle Lock	6	321-0291	1	Fuse, 30A
3	323-1424	1	Cap, Connector				

Engine Harness (Code 35AZ)



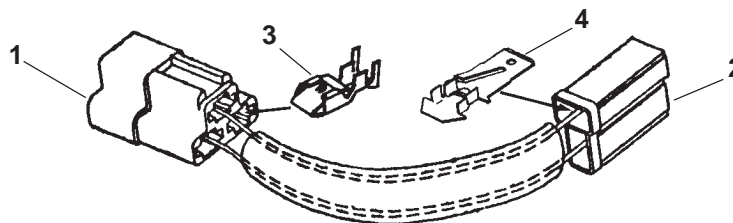
REF NO.	PART NO.	QTY USED	PART DESCRIPTION
	338-2516	1	Harness, Engine

Interface Harness (Code 35AW)



REF NO.	PART NO.	QTY USED	PART DESCRIPTION	REF NO.	PART NO.	QTY USED	PART DESCRIPTION
	338-2638	1	Harness, Interface (3 Pin) Spec A-D (Includes Connectors)	1	323-1216	1	Connector, Body
	338-3180	1	Begin Spec E (Includes Connectors and Terminals)	2	323-1254	1	Connector, Body
				3	332-2073	3	Terminal, Lock Receptacle
				4	332-2423	1	Terminal, Receptacle

Interface Harness (Code 47AW)



REF NO.	PART NO.	QTY USED	PART DESCRIPTION	REF NO.	PART NO.	QTY USED	PART DESCRIPTION
	338-2174	1	Harness, Wiring	3	332-2073	2	Terminal, Lock Receptacle
1	323-1417	1	Body, Connector	4	332-2238	2	Terminal, Tab
2	323-0892	1	Body, Connector				

Labels, Paint, Thread Sealant and Gasket Kits

98-6802-01	3	Label, Performer – P216 (Red and White)	110-3709	3	+Gasket, Valve Box
		Label, Model Ident	110-3181	2	+Gasket, Cylinder Head
98-6802-01	2	P216	154-2746	2	+Gasket, Exhaust Manifold
98-6802-02	2	P218	154-2495	2	+Gasket, Intake Manifold
98-6802-03	2	P218	509-0289	2	+Seal, Valve Stem
98-6664	1	Label, Air Cleaner – Maintenance	168-0187	1	Kit, Gasket – Complete Engine (Includes Parts Marked #)
		Label, Periodic – Maintenance	101-0809	1	#Gasket, Rear Bearing Plate
98-5969-01	1	Standard Oil Base – No Oil Filter	102-0743	1	#Gasket, Oil Drain
98-5969-02	1	Standard Oil Base – With Oil Filter	103-0810	1	#Gasket, Gearcase
98-5969-03	1	High Capacity Oil Base – With Oil Filter	110-3709	3	#Gasket, Valve Box
98-5969-04	1	Extra High Capacity Oil Base with Oil Filter	110-3181	2	#Gasket, Cylinder Head
518-0452	1	Sealant, Thread (50cc Bottle)	120-0161	1	#Gasket Kit, Oil Pump
518-0347	1	Loctite, Bottle (250cc)	122-0771	1	#Gasket, Oil Filter Adapter
525-0305	1	Paint, Enamel Touch-Up Green (Non-Metallic) 13 Ounce Pressurized Can	154-0733	1	#Gasket, Adapter to Carburetor
525-0454	1	Paint, Enamel Touch-Up Greige – 13 Ounce Pressurized Can	154-2495	2	#Gasket, Intake Manifold
525-0394	1	Paint, Enamel – Touch-Up – Flat Black – 16 Ounce Pressurized Can	154-2746	2	#Gasket, Exhaust Manifold
525-0614	1	Paint, Enamel – Forest Green 3 oz. Pressurized Can	160-1368	1	#Gasket, Breaker Box
168-0189	1	Kit, Gasket – Carbon Removal (Includes Parts Marked +)	509-0008	1	#Seal, Oil (Governor Shaft)
			509-0040	1	#Seal, Oil (Gearcase)
			509-0041	1	#Seal, Oil (Bearing Plate)
			509-0142	1	#O-Ring (Oil Fill Cap)
			509-0145	1	#O-Ring (Air Cleaner to Carburetor)
			509-0289	2	#Seal, Valve Stem
			102-1387	1	#Gasket, Oil Base
			509-0269	1	#Seal, Fill Tube

+ – Parts Included in Carbon Removal Gasket Kit.

– Parts Included in Complete Engine Gasket Kit.

Sales Option Code Table

<u>SPEC NO.</u>	<u>10461</u>	<u>10462</u>	<u>10463</u>	<u>10464</u>	<u>10478</u>	<u>10482</u>	<u>10488</u>	<u>10498</u>	<u>10501</u>	<u>10502</u>	<u>10509</u>	<u>10518</u>	<u>10528</u>
	11AH	11AH	11AH	11AH	11AH	11AH	11AK	11AH	11AH	11AP	11AH	11AH	11AH
	11AV	11AV	11AV	13BG	11AV	11AV	11AV	11AV	11AV	11BK	11AU	11BG	11AU
	13BG	11BJ	13BG	13BJ	11BH	11BG	13BJ	13BK	13BK	13CB	13BN	13CB	13BJ
	13BN	13BG	13BJ	13BY	13CB	11BK	13BP	13BM	13BN	15BD	13CG	13CC	13BM
	13BJ	13BJ	13BY	15BA	13CC	13BN	13BZ	13BY	13BW	15BK	15BD	13CG	13BV
	13BV	13BY	15BA	15BD	13CG	13BY	15BD	15BD	15BD	15BL	15BK	15BD	15BB
	15AZ	15BA	15BD	15BK	15AZ	13CD	15BK	15BJ	15BJ	17BW	15BL	15BK	15BD
	15BD	15BD	15BK	17BW	15BD	15AZ	15BL	15BL	15BL	17BZ	17BW	15BL	15BK
	15BK	15BK	17BY	17BY	15BK	15BD	17BY	17BW	17BZ	17CD	17BZ	17BW	17BW
	15BL	17BW	17CG	17CE	15BR	15BJ	17CD	17BY	17CD	19AS	17CD	17BZ	17BY
	17BW	17BY	17CJ	19AS	17BW	17CD	17CG	17CD	17CG	23DC	19AS	17CE	17CE
	17BY	17CD	19AU	21AW	17BY	17CG	19AV	19AU	19AS	31AY	23DC	19AW	19AW
	17CD	19AS	21AW	23DC	17CD	17CH	21AW	23DC	21AZ	31AZ	31AY	23DC	23DC
	19AS	21AW	23DC	23EL	19AS	19AV	23DC	23DH	23DC	33AT	31BC	23DE	31AY
	21AW	23DC	23DJ	31AY	23DC	23DC	31AY	23DJ	31AY	35AH	33AT	31AY	31BD
	23DC	23DJ	31AY	31AZ	23DE	31AY	31AZ	31AY	31AZ	45BS	45BB	31AZ	33AT
	23DK	31AY	31AZ	33AS	31AY	31BD	33AT	31AZ	33AT	47AK	47AG	33AT	45BB
	23DV	31AZ	33AT	35AU	31AZ	33AT	35AU	33AT	45BH			35AV	47AB
	31AY	33AS	35AU	35AW	33AT	45BP	35BB	35AU	47AG			35BC	
	31AZ	35AU	35AW	45BD	35AV	45BW	45BB	35BB				45BH	
	33AT	35AW	45BD	47AG	35BD	47AG	47AR	45BU				47AG	
	35AU	45BD	47AL	47AL	45BG		47BA	47AG					
	35AW	47AL	47AR		45BV		47BB						
	45BB	47AR			47AB								
	47AG												

<u>SPEC NO.</u>	<u>10530</u>	<u>10531</u>	<u>10538</u>	<u>10539</u>	<u>10540</u>	<u>10541</u>	<u>10543</u>	<u>10550</u>	<u>10551</u>	<u>10552</u>	<u>10556</u>	<u>10557</u>	<u>10558</u>
	11AH	11AH	11AH	11AH	11AH	11AH	11AH	11AR	11AR	11AP	11AW	11AH	11AH
	11AV	11AV	11AW	11AW	11AW	11AW	11AW	11AV	11AV	11BE	11AV	11AV	11AV
	11BG	11BG	13BJ	13BJ	13BJ	13BJ	13BJ	13BJ	13BJ	11AV	11BG	11PP	13CB
	13BJ	13BJ	13BV	13BV	13BV	13BV	13BN	13BM	13BN	13BJ	11PP	13CF	13CC
	13BN	13BN	13CR	13CR	13CR	13CR	13BZ	13BY	13BV	13BN	13CB	13CG	13CG
	13BV	13BV	15BD	15BD	15BD	15BD	15BD	15BA	15BD	13BV	13CC	13CH	15BD
	13CC	15BD	15BJ	15BJ	15BJ	15BJ	15BJ	15BD	15BK	15BD	13CG	15AZ	15BK
	13CG	15BK	15BL	15BL	15BL	15BL	15BL	15BJ	15BL	15BK	15AZ	15BD	15BL
	15BD	15BL	17BW	17BW	17BW	17BW	17BW	17BY	17BZ	15BL	15BD	15BK	17BW
	15BK	17BZ	17BY	17BY	17BY	17BY	17BY	17CG	17CD	17BZ	15BK	15BL	17CD
	15BL	17CD	17CE	17CD	17CD	17CD	17CD	17CK	17CG	17CD	17BW	17BW	17CF
	17BZ	17CG	19AS	19BA	17CN	19AU	19AU	19AV	19AS	17CG	17CD	17CD	19AS
	17CD	19AS	23DC	23DC	19BA	19BC	23DC	21AW	23DC	19AS	17CF	17CF	19BB
	17CG	23DC	23DN	23DN	19BB	23DC	31AY	23DC	31AY	23DC	19AS	19AS	23DC
	19AS	31AY	31AY	31AY	19BC	23DN	31AZ	23DH	31AZ	31AY	19BB	19BB	23DN
	23DC	31AZ	31AZ	31AZ	23DC	31AY	33AT	23DJ	33AT	31AZ	23DC	23DC	31AY
	31AY	33AT	33AT	33AT	23DN	31AZ	35BJ	23ED	35BC	33AT	23DJ	23DE	31AZ
	31AZ	35BC	35AU	35AU	31AY	33AT	45BB	31AY	45BT	35BC	23DN	31AY	33AT
	33AT	35CH	35BK	35BK	31AZ	35AU	47AR	31AZ	47AA	35CH	31AY	31AZ	35AV
	35BC	45BE	45BB	45BB	33AT	35BK		33AT	47AG	45BS	31AZ	33AT	35BE
	45BB	45BW	47AR	47AR	35AU	45BB		35AU			33A5	35AV	45BH
	45BW				35BK	47AR		35BH			35AV	35BE	47AG
	47AA				35BL			45BH			33AT	45BH	
	47AG				45BB			47AL			35AV		
					47AR			47AR			35BE		
								47BA			45BH		

Sales Option Code Table

<u>SPEC NO.</u>	<u>10559</u>	<u>10560</u>	<u>10561</u>	<u>10562</u>	<u>10563</u>	<u>10590</u>	<u>10596</u>	<u>10601</u>	<u>10605</u>	<u>10606</u>	<u>10608</u>	<u>10626</u>	<u>10630</u>
11AH	11AH	11AH	11AH	11AH	11AH	11AH	11AK	11AH	11AH	11AH	11AH	11AH	11AH
11AV	11AV	11AV	11AV	11AV	11AV	11AU	11AV	11AV	11AV	11AV	11AV	11AV	11AV
13BJ	13BM	13BK	13BJ	11BG	13BM	13BJ	13BR	13BJ	13BK	11BJ	11BG	11BG	11BG
13BN	13CG	13BP	13BM	13BN	13BV	13BN	13BV	13BN	13BM	13BG	13BJ	11PP	11PP
13BZ	15BD	13BV	13BV	13BV	13CG	13BV	13CD	13BV	13BY	13BY	13BN	13CB	13CB
15BD	15BK	15AZ	15BB	13CD	15BC	15BD	15BD	15BD	15BD	13CK	13BV	13CC	13CC
15BK	15BL	15BD	15BD	15BD	15BD	15BJ	15BK	15BK	15BJ	15BD	15BD	13CG	13CG
15BM	17BW	15BJ	15BK	15BK	15BK	15BL	15BL	15BL	15BL	15BK	15BK	15BK	15AZ
17BW	17BZ	15BK	17BW	15BL	17BW	17BZ	17BZ	17BZ	17BZ	17CD	15BL	15BL	15BD
17BY	17CD	15BL	17BY	17BZ	17BY	17CD	17CD	17CD	17CD	17CF	17BY	17BZ	15BK
17CD	19AS	17BW	17CD	17CD	17CE	17CG	17CG	17CG	17CG	17CM	17CD	17CD	15BR
19AS	23DC	17BY	19AS	17CG	19AW	19AV	19AS	19AS	19AS	17CG	17CG	17BW	17BW
23DC	23DE	17CD	23DC	19AS	23DC	23DC	23DC	23DC	23DC	19AS	19AS	17BY	17BY
31AY	31AY	19AS	31AY	23DC	31AY	31AY	31AY	31AY	23DE	23DH	21BF	23DC	17CD
31AZ	31AZ	21AW	31BD	31AY	31AZ	31AZ	31AZ	31AZ	31AY	23DJ	23DC	31AY	19AS
33AT	33AT	23DC	33AT	31AZ	33AT	33AT	33AT	31AZ	31AY	23DJ	31AZ	23DC	23DC
35AU	35AU	31AY	45BB	33AT	45BB	35AU	35BC	33AT	31AZ	31AY	33AT	23DE	23DE
35BB	35BB	31AZ	47AB	35BC	47AB	35BB	35CK	35CH	33AS	31AZ	35AU	31AY	31AY
45BB	45BF	33AT		35CK		45BB	45BB	45BE	35AU	33AV	35BC	31AZ	31AZ
	47AG	35AU		45BB		45BW	45BW	45BW	35BH	35AU	45BE	33AT	33AT
		35BB		45BW		47AB			45BU	35AW	45BW	35AV	35AV
		35BH		47AA					47AG	45BD	47AA	35BD	35BD
		45BB										45BG	45BG

<u>SPEC NO.</u>	<u>10632</u>	<u>10640</u>	<u>10641</u>	<u>10642</u>	<u>10643</u>	<u>10645</u>	<u>10646</u>	<u>10648</u>	<u>10649</u>	<u>10662</u>	<u>10666</u>	<u>10667</u>	<u>10670</u>
11AH	11AR	11AH	11AH	11AH	11AH	11AH	11AH	11AR	11AH	11AH	11AH	11AH	11AP
11AV	11AV	11AV	11AV	11AV	11AV	11AU	11AV	11AV	11AV	11AV	11AV	11AV	11AV
13BJ	13BN	13BK	13BG	13BJ	13BS	13BM	11BF	13BJ	13BM	13BJ	11BG	11BE	11BE
13BN	13BV	13BN	13BJ	13BY	13CG	13CC	13BR	13BP	13CC	13BN	13BJ	13BJ	13BJ
13BV	13CD	13BW	13BY	13CL	15BA	13CG	13BY	13BW	13CG	13BV	13BN	13BN	13BN
15BB	15BB	15BD	15BA	15BD	15BD	15BD	13CD	15BD	15BD	15BD	13BV	13BV	13BV
15BD	15BD	15BJ	15BD	15BJ	15BK	15BK	15BD	15BK	15BK	15BK	15BD	15BD	15BD
15BK	15BK	15BL	15BK	15BM	17BW	15BL	15BK	15BL	15BL	15BL	15BK	15BK	15BK
17BZ	17BW	17BZ	17CF	17CD	17BZ	17BW	15BL	17BW	17BY	17CD	15BL	15BL	15BL
17CD	17BY	17CD	17CJ	17CF	17CD	17BY	17BZ	17BZ	17CD	17CF	17BZ	17BZ	17BZ
17CG	17CD	17CG	17CM	19AV	19AS	17CD	17CD	17CD	17CM	17CG	17CD	17CD	17CD
19AS	19AV	19AS	19AU	23DC	19AW	19AS	17CG	19AV	19AS	19AS	17CM	17CG	17CG
23DC	23DC	21BB	21AZ	23EL	21AZ	23DC	19AS	21AG	23DC	23DC	19AS	19AS	19AS
31AY	23DE	23DC	23DC	31AY	23DC	23DE	23DC	23DC	23DE	31AY	23DC	23DC	23DC
31AZ	31AY	23DK	23EL	31AZ	23DE	31AY	23DE	23DK	31AY	31BC	31AY	31AY	31AY
33AT	31BC	31AY	31AY	33AT	23DN	31AZ	31AY	31AY	31AZ	33AT	31AZ	31AZ	31AZ
45BB	33AT	31AZ	31AZ	35AU	31AY	33AT	31AZ	31AZ	33AT	45BB	33AT	33AT	33AT
45BW	35BC	33AT	33AT	35BB	31BC	35AV	33AT	33AT	35AV	45BW	35AV	35BC	35BC
47AB	39AG	35AU	35AU	45BF	33AT	35BB	35BC	35AU	35BH	47AA	35BC	35CH	35CH
	47BS	35BH	35AW	47AL	35AU	45BF	35CK	35BB	45BF		45BE	45BT	45BT
	47AA	45BH	45BD	47AP	35BB	47AG	45BT	45BB	47AG		45BW		
	47AR	47AG	47AG		45BB		47AB	45BW			47AA		
			47AL										

Sales Option Code Table

<u>SPEC NO.</u>	<u>10671</u>	<u>10674</u>	<u>10675</u>	<u>10676</u>	<u>10677</u>	<u>10678</u>	<u>10680</u>	<u>10685</u>	<u>10691</u>	<u>10692</u>	<u>10698</u>	<u>10701</u>	<u>10706</u>
11AH	11AP	11AH	11AH	11AH	11AH	11AH	11AR	11AH	11AH	11AH	11AP	11AH	11AH
11AV	11AV	11AV	11AY	11AV	11AV	11AV	11AV	11AV	11AW	11AW	11AV	11AV	11AV
13BJ	13BM	13BJ	13BJ	13BJ	11BF	13BM	13BT	13BJ	13BJ	13BJ	13BS	13BJ	11PP
13BN	13BV	13BM	13BW	13BJ	13BV	13BV	13BM	13BS	13BS	13BS	13BV	13BR	13CF
13BV	13CD	13BN	13CM	13BP	13CD	13CD	13BV	13BZ	13BZ	13CG	13BV	13CG	
15BB	15BA	13BV	15AZ	13BV	15BD	15BD	15BD	15BD	15BD	15BA	15BD	13CH	
15BD	15BD	15BD	15BD	15AZ	15BK	15BK	15BK	15BJ	15BJ	15BD	15BK	15BD	
15BK	15BK	15BK	15BJ	15BD	15BL	15BL	15BL	15BL	15BL	15BK	15BL	15BK	
17BZ	17BW	15BL	15BZ	15BK	17BZ	17BZ	17BW	17BW	17BW	17BW	17BZ	15BL	
17CD	17BY	17BW	17BW	17BZ	17CD	17CD	17BY	17BY	17BY	17BZ	17CD	17CD	
17CG	17CD	17BY	17BY	17CG	17CM	17CG	17CD	17CE	17CD	17CD	17CM	17CF	
19AS	19AS	17BZ	17CD	17CV	19AU	19AS	19AS	19AS	19BA	19AS	19AS	17CM	
23DC	21BM	17CD	19AS	19AV	23DC	23DC	21BE	23DC	23DC	23DC	23DC	19AS	
31AY	23DC	19AS	21BG	21AW	31AY	23DE	23DC	23DN	23DN	23DE	31AY	23DC	
31AZ	31AY	23DC	21BH	23DC	31AZ	31AY	31AY	31AY	31AY	31AY	31AZ	23DE	
33AT	31AZ	23DN	23DC	31AY	33AT	31AZ	31AZ	31AZ	31AZ	31BC	33AT	31AY	
35AV	33AT	31AY	31AY	31AZ	35BC	33AT	33AT	33AT	33AT	33AT	35AV	31AZ	
35BB	35AV	31AZ	31AZ	33AT	39AG	35BC	35AV	35AU	35AU	35AV	35BB	33AT	
45BB	35BC	33AT	33AV	35AU	45BE	39AG	35BC	35BK	35BK	35BB	45BB	35BB	
45BW	39AG	35AU	35AU	35BC	45BW	45BT	39AG	45BB	45BB	45BS	45BW	45BH	
47AB	45BS	35BH	35BH	45BT	47AB	47AA	45BB	47AG	47AG	47AA		47AG	
	47AB	45BB	45AZ	45EC			45BW	47AR	47AR				
		45BW	45BB	47AL			47AB						
			45BL	47AR									
			47AL	47BA									
			47AS										

<u>SPEC NO.</u>	<u>10709</u>	<u>10712</u>	<u>10714</u>	<u>10720</u>	<u>10721</u>	<u>10722</u>	<u>10725</u>	<u>10729</u>	<u>10731</u>	<u>10734</u>	<u>10735</u>	<u>10736</u>	<u>10740</u>
11AH	11AH	11AH	11AH	11AH	11AH	11AH	11AR	11AH	11AH	11AH	11AH	11AH	11AH
11AV	11AU	11AV	11AW	11AW	11AW	11AW	11AV	11AV	11AV	11AV	11AV	11AV	11AV
13BJ	13BJ	13BK	13BJ	13BJ	13BJ	13BJ	13BJ	13BJ	13BJ	13CB	11PP	13CB	13BM
13BN	13BS	13BM	13BM	13BN	13BN	13BN	13BR	13BM	13CC	13CF	13CC	13CC	13BU
13BV	13BV	13BV	13BV	13BV	13BV	13BV	13BV	13BV	13CG	13CG	13CG	13CG	13CD
15BD	15BB	15BD	15BB	15BD	15BD	15BD	15BD	15BD	15BD	13CH	15BD	15BD	
15BJ	15BD	15BJ	15BD	15BK	15BK	15BK	15BK	15BK	15BK	15AZ	15BK	15BK	
15BL	15BK	15BL	15BK	15BL	15BL	15BL	15BL	15BL	15BL	15BD	15BL	15BL	
17CD	17BW	17CD	17BW	17BZ	17BZ	17CD	17BZ	17CD	17BZ	17BW	15BK	17BW	17BW
17CF	17CE	17CF	17BY	17CD	17CD	17CD	17CD	17CM	17CD	17CD	17BW	17CD	17BY
17CG	17CF	17CG	17CD	17CG	17CG	17CG	17CR	17CG	17CF	17CD	17CF	17CD	17CD
19AV	19AW	19AS	19AS	19AS	19AS	19AS	19AS	19AS	19AS	17CF	19AS	19AU	
23DC	23DC	21BM	23DC	23DC	23DC	23DC	23DC	23DC	23DC	19BB	19AS	19BB	21BJ
31AY	31AY	23DC	31AY	31AY	31AY	31AY	31AY	31AY	31AY	23DC	19BB	23DC	23DC
31AZ	31BD	31AY	31BD	31AZ	31AZ	31AZ	31AZ	31AZ	31BD	23DN	23DC	23DN	23DE
33AT	33AT	31AZ	33AT	33AT	33AT	33AT	33AT	33AT	33AT	31AY	23DJ	31AY	31AY
35AU	45BB	33AT	45BB	35BC	35BC	35BC	35AV	35AV	31AZ	23DN	31AZ	31AZ	
35BB	47AB	35AU	47AB	35CH	35CH	35CH	35BB	35BB	33AT	31AY	33AT	33AT	
45CC		35BB		45BE	45BB	45BT	45BB	45BB	35AV	31AZ	35AV	35BC	
		35BB		45BW	45BW	45EC	45BW	45BW	35BE	33AT	35BE	39AG	
		45BB					47AB	47AB	45BH	35AV	45BH	45BB	
									45BM	35BE	47AG	45BW	
									47AG	45BH			
										47AG			

Sales Option Code Table

SPEC NO.	10741	10742	10744	10748	10753	10754	10756	10759	10760	10765	10769	10775	10776
	11AP	11AH	11AH	11AH	11AR	11AH	11AH	11AH	11AH	11AH	11AH	11AH	11AH
	11AV	11AV	11AV	11AV	11AU	11AW	11AV	11AV	11AV	11AW	11AW	11AW	11AW
	13BJ	13BG	13BJ	13BJ	13BJ	13CB	13BR	13CB	13BJ	11PP	13BJ	11PP	11PP
	13BM	13BJ	13BN	13BM	13BT	13CC	13BV	13CD	13BR	13CB	13BN	13BJ	13BJ
	13BV	13BV	13BV	13BV	13BV	13CG	13CG	15BD	13BU	13CC	13BW	13BN	13BN
	15BD	15AZ	15BB	15BB	15BD	15AZ	15BK	15BK	15BD	13CG	15BD	13BY	13BY
	15BK	15BD	15BD	15BD	15BK	15BD	15BL	15BL	15BJ	15AZ	15BK	15BA	15BA
	15BL	15BK	15BK	15BK	15BL	15BK	15BU	17BW	15BL	15BD	15BL	15BD	15BD
	17BW	17BY	17BZ	17BZ	17BW	15BR	17BZ	17CD	17BW	15BK	17BZ	15BK	15BK
	17BZ	17CD	17CD	17CG	17BY	17BW	17CD	17CF	17BY	15BR	17CD	17BY	17BY
	17CD	17CG	17CG	17CK	17CE	17BY	17CM	19AS	17CD	17BW	17CG	17CD	17CD
	19AV	19AS	19AS	19AS	19AW	17CD	19AS	23DC	19AS	17BY	19AS	17CG	17CG
	23DC	23DC	23DC	21BE	23DC	19AS	21BK	23DJ	21AG	17CD	23DC	19AS	19AS
	31AY	23DE	23DE	23DC	31AY	23DC	23DC	23DN	23DC	19AS	23DK	23DC	23DC
	31AZ	23DV	31AY	31AY	31AZ	23DN	31AY	31AY	31AY	23DC	31AY	23DJ	23DJ
	33AT	31AY	31AZ	31BD	33AT	31AY	31AZ	31AZ	31BC	23DJ	31AZ	31AY	31AY
	35BC	31AZ	33AT	33AT	35BC	31AZ	33AT	33AT	33AT	23DN	33AT	31AZ	31AZ
	45BT	33AT	35AV	35AU	45BT	33AT	35AV	35AV	35AV	31AY	35AU	33AT	33AS
	47AG	45BC	35BB	35BB	47AB	35AV	35BB	35BC	35BC	31BD	35BB	35AU	35AU
		47AG	45BB	45BB		35BD	45BB	39AG	45BB	33AV	45BB	35AU	35AU
			45BW	45BW		45BG	45BW	45BF	47AB	35AV	45BM	45BE	45BE
			47AB			47AR		45BM		35BD	47AG	45BM	45BM
								47AB		45BG		47AG	
										45BM			
										47AR			

SPEC NO.	10777	10779	10780	10782	10783	10784	10788	10790	10791	10796	10797	10808	10815
	11AH	11AH	11AH	11AH	11AH	11AP	11AH	11AH	11AH	11AH	11AP	11AH	11AH
	11AZ	11AW	11AW	11AW	11AV	11BE	11AW	11AV	11AW	11AW	11BE	11AV	11AW
	13BN	13BJ	13BJ	11PP	13BK	11AV	13BM	11AW	13BJ	13BJ	11AW	13BJ	13BJ
	13BV	13BV	13BS	13BN	13BM	13BJ	13BV	11PP	13BN	13BM	13BJ	13BP	13BN
	15BD	13CR	13BZ	13BW	13BY	13BT	13CD	13CB	13BU	13BV	13BM	13BZ	13BY
	15BK	15BD	15BD	13CD	15BD	13BV	15BD	13CD	15BD	15BD	13BV	15BA	15BA
	15BL	15BJ	15BJ	15BD	15BJ	15BD	15BK	15BD	15BK	15BK	15BD	15BD	15BD
	17CD	15BL	15BL	15BJ	15BL	15BK	15BL	15BK	15BL	15BL	15BK	15BJ	15BK
	19AS	17BW	17BW	15BL	17CD	15BL	17BW	15BL	17BW	17BW	15BL	17CF	17BY
	23DZ	17BY	17BY	17CG	17CF	17BZ	17BY	17BW	17CD	17BY	17BW	17CG	17CD
	31AY	17CD	17CD	17CH	17CM	17CG	17CD	17CD	17CF	17CD	17BY	17CJ	17CG
	31AZ	19AS	19AS	17CV	19AU	19AU	19AS	17CF	19AV	19AS	17CD	19AV	19AS
	45BC	23DC	23DC	19AV	23DC	21BE	23DC	19AS	23DC	21BE	19AU	21BB	23DC
	47AG	23DN	23DN	23DC	23DH	23DC	31AY	23DC	31AY	23DC	21BE	23DC	23DJ
	47AL	31AY	31AY	31AY	23DJ	31AY	31AZ	23DJ	31AZ	31AY	23DC	23DK	31AY
	47AU	31AZ	31AZ	31BD	31AY	31BC	33AT	23DN	33AT	31AZ	23DE	31AY	31AZ
		33AT	33AT	33AT	31AZ	33AT	35BC	31AY	35AU	33AT	31AY	31AZ	33AV
		35AU	35AU	35BA	33AS	35BC	39AG	31AZ	35BB	35AU	31AZ	33AT	35AU
		35BK	35BK	45BM	35AU	35CH	45BB	33AT	45BE	35BB	33AT	35AV	35AW
		45BB	45BB	45BN	35BH	45BS	47AB	35AV		45BB	35BB	35BH	45BE
		47AR	47AG	45BP	45BU			35BC		45BW	35CG	35BL	45BM
			47AR		47AG			39AG			45BT	45AZ	
								45BF				45BJ	
								45BM				47AR	
												47BA	
												47BB	

Sales Option Code Table

<u>SPEC NO.</u>	<u>10816</u>	<u>10821</u>	<u>10830</u>	<u>10832</u>	<u>10844</u>	<u>10845</u>	<u>10857</u>	<u>10862</u>	<u>10866</u>	<u>10867</u>	<u>10868</u>	<u>10874</u>	<u>10876</u>
	11AH	11AH	11AP	11AH	11BE	11AH	11AH	11AH	11AH	11AH	11AH	11AP	11AH
	11AV	11AP	11BE	11AV	11AW	11AW	11AV	11AW	11AW	11AW	11AW	11BE	11AV
	13BJ	11AW	11AW	11AW	13CB	13BR	11PP	13BJ	11PP	11BG	11PP	11AW	13CF
	13BM	11BE	13BJ	11PP	13CG	13CD	13CB	13BM	13CB	11PP	13CF	13BS	13CG
	13BV	13BJ	13BN	13CB	15BD	13CE	13CC	13BV	13CC	13CB	13CG	13CG	13CH
	15BB	13BN	13BV	13CC	15BK	15BD	13CG	15BD	13CG	13CC	13CH	15BD	15BC
	15BD	13BV	15BD	13CG	15BL	15BK	15AZ	15BJ	15AZ	13CG	15AZ	15BK	15BD
	15BK	13CD	15BK	15AZ	17CD	15BL	15BD	15BL	15BD	15AZ	15BD	15BL	15BJ
SALES OPTION CODE NUMBERS	17BW	15BD	15BL	15BD	17CF	17BW	15BK	17BW	15BK	15BD	15BK	17BW	17BC
	17BY	15BK	17BZ	15BK	17CG	17BY	17BY	17BY	17BW	15BK	17BW	17BY	17CD
	17CD	15BL	17CD	17BW	19AS	17CD	17CD	17CD	17CD	15BR	17CD	17CD	19AS
	19AS	17BZ	17CG	17CD	21BM	19AS	17CM	19AS	17CF	17BW	17CF	19AS	23DD
	23DC	17CD	19AS	17CF	23DC	21BE	17DL	21BE	19AS	17BY	17DK	21BE	31AY
	31AY	17CG	23DC	19AS	23DJ	23DC	19AS	23DC	23DC	17CD	19AS	23DC	31BD
	31BC	19AS	31AY	19BB	23DN	23DE	19BB	23DH	23DJ	19AS	19BB	23DE	35AU
	33AT	23DC	31AZ	23DC	31AY	31AY	23DC	31AY	23DN	23DC	23DC	23DN	35AZ
	45BB	23DE	33AT	23DJ	31AZ	31AZ	23DJ	31AZ	23DV	23DJ	23DJ	31AY	45CE
	47AB	31AY	35BC	23DN	33AT	33AT	23DN	33AT	31AY	23DN	23DN	31AZ	47AE
		31AZ	35CH	23DV	35AV	35AV	31AY	35AU	31AZ	31AY	23DV	33AT	47AV
		33AT	45BT	31AY	35BC	35BC	31AZ	35BB	33AV	31AZ	23EH	35AV	47AZ
		35AV		31AZ	45BS	35CK	33AT	45BC	35AV	33AT	23EK	35BB	
		35BC		33AT	47AR	45BB	35AV	45BW	35BF	35AV	31AY	45BU	
		35CK		35AV	47BA	45BW	35BD	47AR	34BH	35BD	31AZ		
		45BS		35BE	47BB		35BH		47AR	45BG	33AT		
				45BH			45BF			47AR	35AV		
										47AZ	35BE		
										47BB	45BH		
											47AR		
											47AZ		
											47BB		

<u>SPEC NO.</u>	<u>10877</u>	<u>10882</u>	<u>10888</u>	<u>10889</u>	<u>10896</u>	<u>10897</u>	<u>10898</u>	<u>10904</u>	<u>10905</u>	<u>10906</u>	<u>10907</u>	<u>10911</u>	<u>10920</u>
	11AH	11AH	11AH	11AH	11AH	11AH	11AH	11AH	11AH	11AH	11AH	11AH	11AH
	11AV	11AV	11AU	11AW	11AU	11AW	11AW	11AV	11AV	11AW	11AV	11AU	11AV
	13BK	13CB	13BJ	13BJ	13BJ	13BR	11BE	11AW	11AW	13BK	11BG	13BM	13BS
	13BN	13CC	13BM	13BM	13BW	13CD	13CB	13BJ	13BG	13BM	13CF	13CG	13CG
	13BW	13CG	13BV	13BV	13CM	13CE	13CG	13BN	13BJ	13BV	13CG	15BD	15BC
	15BD	15AZ	15BB	15BB	15AZ	15BD	15BD	13BV	13BV	15BD	13CH	15BK	15BD
	15BJ	15BD	15BD	15BD	15BD	15BK	15BK	15AZ	15AZ	15BJ	15AZ	15BL	15BK
	15BL	15BK	15BK	15BK	15BJ	15BL	15BL	15BD	15BD	15BL	15BD	17BW	17CF
SALES OPTION CODE NUMBERS	17BZ	17BW	17BY	17BY	15BZ	17BW	17BZ	15BK	15BK	17BW	15BK	17BY	17CK
	17CD	17CD	17CE	17CD	17BW	17BY	17CD	17BW	17BY	17BZ	17BW	17CE	17DA
	17CG	17CF	17CG	17CG	17BY	17CD	17CG	17BY	17CD	17CD	17CD	19AW	19AV
	19AS	19AS	19AW	19AS	17CD	19AU	19AS	17CD	17CG	19AS	17CF	21AG	23DC
	21BB	23DC	23DC	23DC	19AS	21BM	21BM	19AS	19AS	23DC	19AS	23DC	23DE
	23DC	23DJ	31AY	31AY	21BH	23DC	23DC	21AW	23DC	31AY	23DC	23DN	23DJ
	23DJ	23DN	31BD	31BD	23DC	23DE	23DJ	23DC	23DE	31BC	23DJ	31AT	23DN
	23DK	31AY	33AT	33AT	23EL	31AY	23DN	23DK	23DJ	33AT	23DN	31AY	31AY
	31AY	31AZ	45BB	45BB	31AY	31AZ	31AY	23DV	23DV	35AU	31AY	31AZ	31AZ
	31AZ	33AT	47AR	47AR	31AZ	33AT	31AZ	31AY	31AY	35BB	31AZ	33AT	33AT
	33AT	35AV	47AZ	47AZ	33AV	35AV	33AT	31AZ	31AZ	45BB	33AT	35AV	45BD
	45BH	35BB	47BB	47BB	35AU	35BC	35AV	33AT	33AT	47AR	45BF	35BB	47AR
	47AR	45BF	47BD	47BF	35BH	35CK	35BC	45BB	45BC		47AR	45BB	47BA
		47AR	47BF	47BD	45BB	45BB	45BS				47BA	47AR	47BB
		47BA			45BL	45BW	47AR				47BB	47BA	
		47BB			47AL	47AR	47BA					47BB	
					47AR	47AY	47BB						
					47BA								

Sales Option Code Table

<u>SPEC NO.</u>	<u>10923</u>	<u>10924</u>	<u>10926</u>	<u>10927</u>	<u>10930</u>	<u>10931</u>	<u>10932</u>	<u>10933</u>	<u>10934</u>	<u>10935</u>	<u>10936</u>	<u>10937</u>	<u>10938</u>
11AH	11AH	11AH	11AH	11AH	11AH	11AK	11AH	11AH	11AH	11AH	11AH	11AH	11AH
11AW	11AW	11AW	11AW	11AW	11AW	11AW	11AW	11AW	11AW	11AW	11AW	11AW	11AW
13CF	11BG	11BG	11BG	11BG	11BG	11BG	13BJ	11BG	13BG	13BG	13BG	13CF	11BG
13CG	13CF	13BJ	13BJ	13BJ	13BJ	13BG	13BP	13BG	13BJ	13BJ	13BJ	13CG	13CB
13CH	13CG	13BM	13BM	13BN	13BJ	13BW	13BJ	13BW	13BW	13BW	13BW	13CH	13CC
15BD	13CH	13BV	13BV	13BW	13BW	15AZ	13BW	15AZ	15AZ	15AZ	15AZ	15AZ	13CG
15BK	15AZ	15BD	15BD	15AZ	15AZ	15BD	15AZ	15BD	15BD	15BD	15BD	15BD	15AZ
15BL	15BD	15BK	15BK	15BD	15BD	15BD	15BJ	15BD	15BK	15BK	15BK	15BK	15BD
17CD	15BK	15BL	15BL	15BK	15BK	15BK	15BZ	15BK	15BZ	15BZ	15BZ	15BZ	15BK
17CF	15BL	17BZ	17BZ	15BZ	15BZ	17CF	15BZ	17BY	17BY	17BY	17BY	17CD	15BZ
17CM	15BZ	17CD	17CD	17BZ	17BZ	17CG	17BZ	17CD	17CD	17CD	17CD	17CF	17BY
19AS	17CD	17CG	17CG	17CD	17CD	17CD	17CJ	17CD	17CG	17CG	17CG	17CM	17CD
23DC	17CF	19AS	19AS	17CG	17CG	19AV	17CG	19AS	19AS	19AS	19AS	19AS	17CG
23DE	17CG	23DC	23DC	19AS	19AS	23DC	19AS	23DC	23DC	23EF	23DC	19AS	17CG
31AY	19AS	31AY	31AY	23DC	23DC	23DK	23DC	23DJ	23DJ	31AY	23DJ	23DC	23DC
31AZ	19BC	31AZ	31BC	31AY	23DK	31AY	31AY	23ED	23ED	31AZ	23DN	23DJ	23DJ
33AT	23DC	33AT	33AT	31AZ	31AY	31AZ	31AZ	31AY	31AY	33AV	31AY	23DN	23DN
35AV	23FE	35AU	35AU	33AT	31AZ	33AT	33AT	31AZ	31AZ	45BC	31AZ	31AY	31AY
35BC	23DJ	35BB	35BB	35AU	33AT	35AV	35AU	33AS	33AV	47AR	33AV	31AZ	31AZ
45CE	23DN	45BB	45BB	35BB	35AU	35BB	35BC	35AU	35AU	47AW	35AV	33AT	33AT
47AR	31AY	45BW	45BW	45CA	35BB	35BL	45BE	35AW	35AW	47AY	35BD	35AV	35AV
	31AZ	47AR	47AR	47AR	45BB	45BJ	45BW	45BD	45BD	47AZ	45BH	35BC	35BC
	33AT				47AR	47AR	47AR	47AR	47AR	47AR	47BB	47AR	45BG
	35AV				47AZ	47AZ	47AZ	47AZ	47AZ	47AZ	47BF	47AZ	47AR
	35BC				47BB	47BB	47BB	47BB	47BB	47BB		47BB	47AY
	45CE				47BF	47BF	47BF	47BF	47BF			47BF	47AZ
	47AR												47BF
	47AZ												
	47BB												
	47BF												

<u>SPEC NO.</u>	<u>10939</u>	<u>10940</u>	<u>10941</u>	<u>10942</u>	<u>10943</u>	<u>10944</u>	<u>10945</u>	<u>10952</u>	<u>10955</u>	<u>10956</u>	<u>10957</u>	<u>10958</u>	<u>10975</u>
11AH	11AH	11AH	11AH	11AH	11AH	11AH	11AR	11AH	11AH	11AH	11AH	11AH	11AH
11AW	11AW	11AW	11AW	11AW	11AW	11AW	11AV	11AV	11AW	11AW	11AW	11AW	11AW
11BG	11BG	11BG	11BG	11BG	11BG	11BG	11BF	13BJ	13BJ	13BJ	13BJ	13BJ	13BK
13CB	13BG	13BG	13BG	13BG	13BG	13BN	13BR	13BP	13BY	13BY	13BS	13BS	13BM
13CC	13BJ	13BJ	13BJ	13BJ	13BJ	13BW	13BY	13BV	13CR	13CR	13BY	13BY	13BY
13CG	13BW	13BW	13BW	13BW	13BW	13CD	13CD	15BD	15BD	15BD	15BD	15BD	15BD
15AZ	15AZ	15AZ	15AZ	15AZ	15AZ	15AZ	15BB	15BJ	15BJ	15BJ	15BJ	15BJ	15BJ
15BD	15BD	15BD	15BD	15BD	15BD	15BD	15BD	15BL	15BL	15BL	15BL	15BL	15BL
15BK	15BK	15BK	15BK	15BK	15BK	15BJ	15BK	17BY	17BW	17BW	17BW	17BW	17CD
15BZ	15BZ	15BZ	15BZ	15BZ	15BZ	15BZ	15BL	17CD	17BY	17BY	17BY	17BY	17CF
17BY	17BZ	17BZ	17BZ	17BZ	17BZ	17BZ	17BZ	17CM	17CD	17CD	17CE	17CD	17CM
17CD	17CD	17CD	17CD	17CD	17CD	17CD	17CD	19AU	17CN	19BA	19AS	17DF	19AU
17CG	17CG	17CG	17CG	17CG	17CG	17CG	17CG	21AW	17DF	23DC	23DC	19BA	23DC
19AS	19AS	19AS	19AS	19AS	19AS	19AS	19AS	23DC	19BA	23EJ	23EJ	23DC	23DJ
23DC	23DC	23DC	23DC	23DC	23DC	23DC	21BJ	31AY	19BB	31AY	31AY	23DN	23DN
23DJ	31AY	31AY	31AY	31AY	31AY	31AY	23DC	31AZ	19BC	31AZ	31AZ	23EJ	31AY
23DN	31AZ	31AZ	31AZ	31AZ	31AZ	31AZ	23DJ	33AT	23DC	33AT	33AT	31AY	31AZ
31AY	33AT	33AT	33AT	33AT	33AT	33AT	23DN	35AU	23DN	35BK	35BK	31AZ	33AS
31AZ	35AU	35AU	35AU	35AU	35AU	45BP	31AY	35BH	23EJ	35BL	35BW	33AT	35AU
33AT	35BC	35BC	35BC	35BC	35BC	47AR	31AZ	45BB	31AY	35BW	45BB	35BK	35BH
35AV	45BB	45BT	45BU	45BS	47AZ	33AT			31AZ	45BB	47AR	35BW	45BU
35BC	47AR	47AR	47AR	47AR	47BB	35AV			33AT	47AR		45BB	47AR
45BG	47AZ	47AZ	47AZ	47AZ	47BF	35BC			35BK			47AR	47BA
47AR	47BB	47BB	47BB	47BB	47BB				35BL				47BB
47AY	47BF	47BF	47BF	47BF	47BF				35BW				
47AZ									45BB				
47BF									47AR				

Sales Option Code Table

<u>SPEC NO.</u>	<u>10976</u>	<u>10982</u>	<u>10994</u>	<u>11000</u>	<u>11003</u>	<u>11004</u>	<u>11006</u>	<u>11007</u>	<u>11016</u>	<u>11017</u>	<u>11031</u>	<u>11040</u>	<u>11051</u>
11AH	11AH	11AH	11AH	11AH	11AH	11AH	11AP	11AH	11AH	11AR	11AH	11AH	11AH
11AW	11AW	11AW	11AW	11AU	11AW	11AV	11AV	11AW	11AW	11AV	11AW	11AV	11AW
13BJ	13BJ	13BR	11PP	13BJ	11BE	13BN	11BG	13BJ	13BR	13BJ	11BF	13BN	13BN
13BP	13BM	13CD	13CB	13BN	13BM	13BV	13BJ	13BM	13BY	13BN	13BR	13BV	13BV
13BY	13BV	13CE	13CC	13BV	13BV	13CD	13BM	13BV	13CD	13BV	13BY	13CD	13CD
13CR	15BB	15BD	13CG	15BD	13CD	15BD	13BV	15BD	15BD	15BD	13CD	15BD	15BD
15BD	15BD	15BK	15AZ	15BJ	15BD	15BK	15BD	15BK	15BK	15BK	15BD	15BK	15BK
15BJ	15BK	15BL	15BD	15BL	15BK	15BL	15BL	15BK	15BL	15BL	15BL	15BK	15BL
15BL	17BW	17BW	15BK	17CF	15BL	17CD	15BL	17BY	17BZ	17BZ	15BL	17BZ	17BZ
17BW	17BY	17BY	17BY	17CV	17BY	17CF	17BZ	17CD	17CD	17CD	17BZ	17CD	17CD
17BY	17CD	17CD	17CD	17DA	17CD	17CG	17CD	17CG	17CG	17CG	17CD	17CG	17CG
17CD	19AS	19AU	17CF	19AU	17CG	19AV	17CG	19AS	19AS	19AS	17CG	19AS	19AS
17DF	23DC	21BE	17DH	21BB	19AS	21BB	19AS	21BE	21BJ	23DC	19AS	23DC	23DC
19AS	31AY	23DC	19AS	23DC	21BZ	23DC	21BH	23DC	23DC	31AY	21BZ	23DN	23DN
23DC	31BD	23DE	19BB	31AY	23DC	23DN	23DC	31AY	23DJ	31AZ	23DC	31AY	31AY
23DN	33AT	31AY	23DC	31AZ	31AY	31AY	31AY	31AZ	23DN	33AT	23DJ	31AZ	31AZ
23EJ	35AV	31AZ	23DJ	33AT	31AZ	31AZ	31BC	33AT	31AY	35AU	23DN	33AT	33AT
31AY	35BB	33AT	23DN	35AU	33AT	33AT	33AT	35AU	31AZ	35BC	31AY	35AV	35AV
31AZ	45BB	35AV	31AY	35BC	35AV	35BC	35AU	35BC	33AT	45BB	31AZ	35BC	35BC
33AT	47AR	35BC	31AZ	45BD	35BC	35CK	35BD	45BD	35AV	45BW	33AT	35CK	35CK
35BK	47BA	35CK	33AT	47AR	35CK	45BS	35BH	45BW	35BC	47AR	35AV	45BB	45BB
35BW	47BB	45BB	35AV	47BA	45BS		45BC	47AR	35CK	47BA	35BC	47AR	47AR
45BB		45BW	35BD	47BB	47AR			47AY	45BT	47BB	35CK	47BA	47BA
47AR		47AR	45BF		47AZ			47BB	47AR		45BT	47BB	47BB
		47AY	47AR		47BA			47BD	47BA		47AR		47AR
		47AZ	47AZ		47BB				47BD		47BA		47BA
		47BA	47BB								47BB		47BB

<u>SPEC NO.</u>	<u>11054</u>	<u>11056</u>	<u>11065</u>	<u>11069</u>	<u>11072</u>	<u>11075</u>	<u>11076</u>	<u>11077</u>	<u>11081</u>	<u>11082</u>	<u>11083</u>	<u>11088</u>	<u>11089</u>
11AH	11AW	11AH	11AH	11AH	11AH	11AH	11AH	11AH	11AH	11AH	11AH	11AH	11AH
11AV	11BF	11AW	11AW	11AW	11AW	11AV	11AV	11AV	11AV	11AV	11AW	11AW	11AW
13BJ	13BJ	13BN	13BS	13BJ	13BJ	13BK	11PP	11BJ	13BG	11BG	13BK	11BG	11BG
13BW	13BM	13BV	13CG	13BN	13BN	13BN	13CB	13BG	13BJ	11PP	13BM	13BJ	13BJ
13CM	13BV	13CD	15BC	13BV	13BV	13BW	13CC	13BJ	13BY	13CG	13BV	13BM	13BM
15AZ	15BD	15BD	15BD	15BD	15BD	15AZ	13CG	13BY	15BA	13CC	15BD	13BV	13BV
15BD	15BJ	15BK	15BK	15BJ	15BJ	15BD	15AZ	15BA	15BD	13CG	15BJ	15BD	15BD
15BJ	15BL	15BL	15CJ	15BL	15BL	15BJ	15BD	15BD	15BK	15AZ	15BL	15BK	15BK
15BZ	17BZ	17BZ	17CF	17BZ	17BY	17CF	15BK	15BK	17BY	15BD	17BY	15BL	15BL
17BW	17CD	17CD	17CK	17CD	17CD	17CG	17BW	17BW	17CG	15BK	17CD	17BZ	17BZ
17BY	17CG	17CG	17DA	17CG	17CG	17CV	17CD	17BY	17CJ	15BR	17CG	17CD	17CD
17CD	19AV	19AS	19AV	19AS	19AS	19AS	17CF	17CD	19AU	17BW	19AS	17CG	17CG
19AS	23DC	21BW	19CJ	21AW	23DC	21BB	17DK	19AS	21AW	17BY	21BE	19AS	19AS
21BH	31AY	23DC	23DC	23DC	23DN	23DC	19AS	21AW	23DC	17CD	23DC	21BE	21BE
23DC	31AZ	23DN	23DE	31AY	31AY	23DJ	23DC	23DC	23DJ	19AS	31AY	23DC	23DC
23EL	33AT	31AY	23DJ	31AZ	31AZ	23DK	23DJ	23DJ	31AY	23DC	31AZ	23DJ	23DJ
31AY	35BC	31AZ	23DN	33AT	33AT	31AY	23DN	31AY	31AZ	23DJ	33AT	23DN	23DN
31AZ	45BT	33AT	31AY	35BC	35CH	31AZ	23DV	31AZ	33AW	23DN	35AV	31AY	31AY
33AT	47AR	35AV	31AZ	45BB	45EA	33AT	23EH	33BA	33BB	31AY	35BB	31BC	31BC
35AU		35BC	33AT	47AR	47AR	45BH	23EK	33BB	35AU	31AZ	45CC	33AT	33AT
35BZ		35CK	45BD	47BA	47AR	47AR	31AY	35AU	35AW	33AT	47AR	35BC	35BC
45BB		45BB	45BW	47BB	47BA	47BA	31AZ	35AW	45BD	35AV		35CK	35CK
45BL		45BW	47AR	47BC	47BB			33AT	45BD	47AL	35BC	45BE	45BE
47AL		47AR	47BA					35AV	47AL	47AR	45BG	45BW	45BW
47AR		47BA	47BB					35BE	47AR	47BA	47AR	47AR	47AR
47BA		47BB						45BH	47BA		47AZ	47BB	47BB
47BF								47AR			47BB	47BA	47BA
								47AZ				47BC	47BC
								47BB					

Sales Option Code Table

<u>SPEC NO.</u>	<u>11090</u>	<u>11091</u>	<u>11093</u>	<u>11100</u>	<u>11105</u>	<u>11106</u>	<u>11108</u>	<u>11110</u>	<u>11112</u>	<u>11113</u>	<u>11120</u>	<u>11121</u>	<u>11122</u>
11AH	11AH	11AH	11AH	11AH	11AH	11AH	11AH	11AH	11AH	11AV	11AH	11AH	11AH
11AV	11AW	11AW	11AW	11AW	11AW	11AW	11AW	11AW	11AW	11BE	11AW	11AW	11AW
11BG	13BJ	13BJ	11BG	11BG	13BG	13BJ	11BF	11BF	11BG	13BN	13BK	13BM	13BN
13CB	13BN	13BP	11PP	13BJ	13BP	13BJ	13BK	13BN	13BV	13BM	13BV	13BV	13BV
13CC	13BV	13BV	13CB	13BV	13BV	13BM	13BM	13BW	13CD	13BV	13CD	13CD	13CD
13CG	15BD	15BD	13CC	15BD	15AZ	13BV	13BY	13CD	15BD	15BD	15BD	15BD	15BD
15AZ	15BK	15BJ	13CG	15BK	15BD	15BD	15BD	15AZ	15BK	15BJ	15BK	15BK	15BK
15BD	15BL	15BL	15AZ	15BL	15BJ	15BJ	15BJ	15BD	15BL	15BL	15BL	15BL	15BL
15BK	17BZ	17BY	15BD	17BZ	17BY	15BL	15BL	15BJ	17CD	17BY	17CD	17BZ	17BZ
15BZ	17CD	17CD	15BK	17CD	17CD	17BZ	17CD	15BZ	17CF	17CD	17CF	17CD	17CD
17BW	17DA	17CM	15BZ	17CG	17CM	17CD	17CF	17BZ	17CG	17CG	17DA	17CG	17CG
17CD	19AS	19AU	17BW	19AS	19AU	17CG	17CM	17CD	19AV	19AS	19AS	19AS	19AS
17CF	23DC	21BK	17CD	21BE	23DC	19AV	17DH	17CG	21BE	21BE	21AG	21CA	21CA
19AS	31AY	23DC	17CF	23DC	31AY	21BW	19AS	19AS	23DC	23DC	23DC	23DC	23DC
23DC	31AZ	31AY	19AS	31AY	31AZ	23DC	23DC	23DC	23DN	31AY	23DN	23DJ	23DJ
23DJ	33AT	31AZ	23DC	31AZ	33AT	31AY	23DJ	31AY	31AY	31AZ	31AY	23DN	23DN
23DN	35AV	33AT	23DJ	33AT	35AU	31AZ	23DN	31BD	31AZ	33AT	31AZ	31AY	31AY
23DV	35BC	35AU	23DN	35CH	35BH	33AT	23ED	33AT3	33AT	35AV	33AT	31AZ	31AZ
23EK	45BE	35BH	31AY	45BS	45BB	35CH	31AY	5BC3	35BC	35BC	35AV	33AT	33AT
31AY	45BW	45BB	31AZ	47AR	47AR	45BT	31AZ	5CK	35CK	45CC	35CH	35AV	35AV
31AZ	47AR	47AR	33AT			47BA	47AR	33BA	45BP	45BS	47AR	35CK	35BC
33AT	47BA	47BA	35AV			47BB	47BA	35AU	47AR	47AR	47BA	45BB	35CK
35AV	47BB	47BB	35BB				47BB	35BH	47AZ	47BA	47BB	45BW	45BB
35BE			45BG					45BU	47BB	47BB		47AR	45BW
45BH			47AR					47AR	47BF			47BA	47AR
47AR			47AZ					47AZ				47BB	47AZ
47AZ			47BB					47BB					
47BB													
47BF													

<u>SPEC NO.</u>	<u>11124</u>	<u>11126</u>	<u>11127</u>	<u>11128</u>	<u>11132</u>	<u>11134</u>	<u>11135</u>	<u>11137</u>	<u>11140</u>	<u>11145</u>	<u>11147</u>	<u>11149</u>	<u>11153</u>
11AH	11AH	11AH	11AH	11AH	11AH	11AH	11AH	11AH	11AH	11AH	11AH	11AH	11AH
11AW	11AW	11AW	11AW	11AW	11AW	11AW	11AV	11AV	11AV	11AV	11AW	11AW	11AW
13BJ	11BG	11BG	13BG	11PP	13BN	11PP	13BK	11PP	13BJ	13BK	13BJ	13BN	13BN
13BN	13BJ	11PP	13BJ	13CB	13CG	13CB	13BS	13CG	13BN	13BM	13BM	13BM	13BV
13BV	13BM	13BJ	13BW	13CC	15BB	13CC	13BV	13CL	13BV	13BU	13BY	13CD	13CD
15BD	13BV	13BN	15AZ	13CG	15BD	13CG	15BD	15ZA	15BD	15BD	15BA	15BD	15BD
15BJ	15BD	13BY	15BD	13CY	15BK	15AZ	15BJ	15CL	15BK	15BJ	15BB	15BK	15BK
15BL	15BK	15BA	15BK	15AZ	17BZ	15BD	15BL	17CD	15BL	15BL	15BD	15BL	15BL
17BZ	15BL	15BD	15BZ	15BD	17CD	15BK	17BZ	17CF	17BZ	17BZ	15BJ	17BZ	17BZ
17CG	17BZ	15BK	17BY	15BK	17DA	17BW	17CD	17DE	17CD	17CD	15BK	17CD	17CD
17CV	17CD	17BY	17CD	15BR	19AS	17CD	17CG	17DM	17CG	17CG	17BY	17DA	17DA
19AS	17CG	17CD	17CG	17BW	23DC	17CF	19CK	19AS	19AS	19AS	17CG	19AS	19AS
21AW	19AS	17CG	19AS	17CF	31AY	17DK	21BE	19BB	23DC	21BH	17CK	21BW	21BW
23DC	21BE	19AS	23DC	17CD	31AZ	19AS	23DC	23DC	23DJ	23DC	19AV	23DC	23DC
31AY	23DC	23DC	23DJ	19AS	33AT	19BB	23DH	23DJ	23DN	23DJ	21AW	23DN	23DN
31AZ	23DJ	23DJ	23ED	23DC	35AV	23DC	31AY	23DN	31AY	23DN	23DC	31AY	31AY
33AT	23DN	31AY	31AY	23DJ	35BC	23DJ	31BC	23DV	31AZ	31AY	23DH	31AZ	31AZ
35CH	31AY	31AZ	31AZ	23DN	45BE	23DN	33AT	23EH	33AT	31AZ	23DJ	33AT	33AT
45BB	31BC	33BA	33BA	31AY	45BW	23DV	35AU	23EJ	35CH	33AW	23DN	35AV	35AV
45BL	33AT	35AU	33BB	31AZ	47AR	23EH	35BC	31AY	45BE	35AV	31AY	35BC	35BC
47AR	35AV	35AW	35AU	33AT	47BA	23EK	45BD	31AZ	45BW	35BC	31AZ	35CK	35CK
47BA	35BC	45BE	35AW	35AV	47BB	31AY	47AR	33AT	47AR	45BB	33AT	45BB	45BB
47BB	35CK	47AR	45BD	35BD	47BF	31AZ	47BA	35AV	47BA	47AR	35AU	45BW	45BW
	45BE	47BA	47AR	45BF		33AT	47BB	35BE	47BB	47AZ	35BH	47AR	47AR
	45BW	47BB	47AZ	47AR		35AV		35CM		47BB	45BB	47AZ	47AZ
	47AR		47BB	47AZ		45BH		45BH			47AL	47BB	47BB
			47BF	47BB		45BH		47AR			47AR		
						47AR		47AL			47BA		
						47AZ		47AZ					
						47BB							

Sales Option Code Table

<u>SPEC NO.</u>	<u>11154</u>	<u>11156</u>	<u>11159</u>	<u>11160</u>	<u>11161</u>	<u>11162</u>	<u>11163</u>	<u>11169</u>	<u>11174</u>	<u>11178</u>	<u>11180</u>	<u>11182</u>	<u>11186</u>
11AH	11AH	11AH	11AH	11AH	11AH	11AH	11AH	11AH	11AH	11AH	11AH	11AH	11AH
11AW	11AW	11AW	11AW	11AW	11AV	11AV	11AW	11AW	11AW	11AW	11AV	11AV	11AW
13BK	13BP	13BN	11BG	11BE	13BK	11BF	11BF	13BJ	13BN	11PP	13BM	13BJ	
13BP	13BV	13BV	11BK	13BN	13BP	13BJ	13BR	13BN	13BV	13CG	13BU	13BP	
13BV	13CD	13CD	11PP	13BV	13BV	13BM	13BY	13BV	13CD	13CL	13CD	13BV	
15BD	15BD	15BD	13BJ	13CD	15AZ	13BV	13CD	15AZ	15BD	15BC	15BD	15BD	
15BJ	15BK	15BK	13BN	15BD	15BD	15BD	15BC	15BD	15BK	15BF	15BK	15BK	
15BL	15BL	15BL	13BW	15BK	15BJ	15BK	15BF	15BK	15BL	17CD	15BL	15BL	
17BY	17BZ	17BZ	15BD	15BL	17BW	15BL	17BZ	15BZ	17BZ	17CF	17BW	17BZ	
17CD	17CD	17CD	15BJ	17CD	17BY	17BZ	17CD	17BZ	17CD	17DM	17BY	17CD	
17CG	17CG	17CG	15BL	17CF	17CD	17CD	17CG	17DA	17DA	19AS	17CD	17DA	
19AV	19AS	19AS	17CG	17CG	19AU	17CG	19AS	17DG	19AS	19BB	19AU	19AS	
21BE	21BJ	21BZ	17CH	19AV	21AW	19AS	21BZ	19AS	21CA	23DC	21BJ	23DC	
23DC	23DC	23DC	17CV	21BE	23DC	23DC	23DC	23DC	23DC	23DJ	23DC	23DN	
31AY	23DJ	31AY	19CJ	23DC	31AY	31AY	23DJ	23DN	23DN	23DV	23DN	31AY	
31AZ	23DN	31AZ	23DC	23DN	31AZ	31BD	23DN	31AY	31AY	23EH	31AY	31BC	
33AT	31AY	33AT	31AY	31AY	33AT	33AT	31AY	31AZ	31AZ	23EJ	31AZ	33BA	
35AU	31AZ	35AU	31BD	31AZ	35AU	35AU	31AZ	33AW	33AT	31AY	33AT	35BW	
35BB	33AT	35CK	33AT	33AT	35BH	35BB	33AT	35AV	35AV	31AZ	35AV	45BB	
45CC	35CH	45BB	35BA	35AV	45BB	45BU	35AV	35BC	35BC	33AT	35BC	47AR	
47AR	35CK	45BW	45BP	35BC	47AR	47AR	35BC	35CK	35CK	35AV	35CK	47AZ	
47BA	45BB	47AR	47AR	35CK	47AZ	47AZ	35CK	45BB	45BB	35BE	45BB	47BB	
47BB	47AR	47BA	47AZ	45BS	47BB	47BB	45BT	45BW	45BW	35CM	45BW	47BF	
47BF	47AZ	47BB	47BB	47AR	47BF	47BF	47AR	47AR	47AR	45BH	47AR		
	47BB			47AZ			47AZ	47BF	47AZ	47AL	47AZ		
				47BB			47BB		47BB	47AR	47BB		
				47BF						47AZ			

<u>SPEC NO.</u>	<u>11190</u>	<u>11191</u>	<u>11192</u>	<u>11193</u>	<u>11198</u>	<u>11199</u>	<u>11201</u>	<u>11203</u>	<u>11204</u>	<u>11206</u>	<u>11208</u>	<u>11211</u>	<u>11212</u>
11AH	11AH	11AH	11AH	11AH	11AH	11AH	11AH	11AH	11AH	11AH	11AH	11AH	11AH
11AW	11AW	11AW	11AW	11AW	11AW	11AW	11AW	11AW	11AW	11AW	11AW	11AW	11AW
11BF	13BJ	13CB	13CF	11BG	11PP	13BJ	13BS	13BK	13BJ	13BJ	13BK	11BG	
13BF	13BN	13CC	13CG	11PP	13CB	13BN	13CG	13BN	13BN	13BN	13BM	11BK	
13BN	13BV	13CG	13CH	13CB	13CC	13BV	15BC	13BV	13BV	13BV	13BU	11PP	
13CE	15AZ	15BC	15BC	13CG	13CG	15BD	15BD	15AZ	15BD	15AZ	15BD	13BJ	
15AZ	15BD	15BF	15BF	13CY	15AZ	15BK	15BK	15BD	15BJ	15BD	15BJ	13BN	
15BZ	15BK	17CD	17CD	15BD	15BD	15BL	15CJ	15BK	15BL	15BK	15BL	13BW	
15CK	15BZ	17CF	15CF	15BK	15BK	17BZ	17CF	17BY	17BZ	15BZ	17BZ	15BJ	
15CR	17BZ	17DK	17DK	15BR	17BY	17CD	17CK	17CD	17CD	17BZ	17CG	15BL	
17CF	17CD	19AS	19AS	17CD	17CD	17CG	17DA	17CG	17CG	17CD	17DG	15CT	
17DA	17CG	23DC	19BB	17CF	17DL	19AS	19AV	19AS	19AS	17CG	19AS	17CG	
17DF	19AS	23DJ	23DC	17DK	19AS	23DC	23DC	21BH	23DC	19AS	21BE	17CH	
19AS	23DC	23DV	23DJ	19AS	19BB	23DN	23DJ	23DC	23DJ	23DC	23DC	17CV	
23DC	31AY	23EH	23DV	23DJ	23DC	31AY	23DN	31AY	23DN	31AY	23DJ	19CJ	
23DJ	31AZ	23EK	23EH	23DN	23DJ	31AZ	31AY	31AZ	31AY	31AZ	23DN	23DC	
23DN	33AT	31AY	23DK	31AY	23DN	33AT	31AZ	33AT	31AZ	33AT	31AY	31AY	
31AY	35AV	31AZ	31AY	31AZ	31AY	35AV	33AT	35AU	33AT	33CH	31AZ	31BD	
31BC	35BC	33AT	31AZ	33AT	31AZ	35BB	45BD	35BH	35CH	45BF	33AW	33AT	
33AT	45BB	33BB	33AT	35AV	33AT	45BB	45BW	45BB	45BE	45BW	35AV	35BA	
35BF	45BW	35AV	33BB	35BD	35AV	45BW	47AR	47AR	45BW	47AR	35BC	45BP	
35CC	47AR	35BE	35AV	45BF	35BD	47AR	47BA	47BA	47AR	47AZ	45BB	47AR	
45BT	47AZ	45BH	35B3	47AR	45BF	47BA	47BB	47BB	47BA	47BB	47AR	47AZ	
47AR	47BB	47AR	45BH	47AZ	47AR	47BB		47BF	47BB	47BF	47AZ	47BB	
47AZ	47BF	47AZ	47AR	47BB	47AZ								
47BB		47BB	47AZ		47BB								
47BF			47BB										

Sales Option Code Table

<u>SPEC NO.</u>	<u>11213</u>	<u>11215</u>	<u>11216</u>	<u>11218</u>	<u>11220</u>	<u>11224</u>	<u>11227</u>	<u>11249</u>	<u>11251</u>	<u>11252</u>	<u>11253</u>	<u>11254</u>	<u>11255</u>
11AH	11AH	11AH	11AH	11AH	11AH	11AH	11AH	11AK	11AH	11AH	11AH	11AH	11AH
11AW	11AW	11AW	11AW	11AW	11AW	11AW	11AW	11AW	11AW	11AW	11AW	11AW	11AW
11BG	13BK	13BF	13BR	11PP	13BJ	13BM	13BG	13BJ	13BJ	13BJ	13BJ	13BJ	13BJ
13BR	13BR	13BN	13BV	13CB	13BN	13BY	13BJ	13BN	13BN	13BN	13BN	13BN	13BN
13BV	13BV	13CE	13CD	13CG	13BV	13DA	13BW	13BV	13BV	13BV	13BV	13BV	13BV
13CD	15BD	15AZ	15BD	13CY	15AZ	15BA	15AZ	15AZ	15AZ	15AZ	15AZ	15AZ	15AZ
15BD	15BJ	15BZ	15BK	15BD	15BD	15BD	15BD	15BD	15BD	15BD	15BD	15BD	15BD
15BK	15BM	15CK	15BL	15BK	15BJ	15BJ	15BK	15BK	15BK	15BK	15BK	15BK	15BK
15BL	15CM	15CR	17BZ	15BR	17BY	17BY	15BZ	15BZ	15BZ	15BZ	15BZ	15BZ	15BZ
17CD	17BY	17CF	17CD	17CD	17CD	17CG	17BZ	17BZ	17BZ	17BZ	17BZ	17BZ	17BZ
17CF	17CG	17DA	17CG	17CF	17CG	17CK	17CD	17CD	17CD	17CD	17CD	17CD	17CD
17CG	17DF	17DF	19AS	17DK	19AS	19AV	17CG	17CG	17CG	17CG	17CG	17CG	17CG
19AS	19AS	19AS	23DC	19AS	21BK	21AW	19AS	19AS	19AS	19AS	19AS	19AS	19AS
23DC	23DC	23DC	31AY	23DC	23DC	23DC	23DC	23DC	23DC	23DC	23DC	23DC	23DC
23DN	23DJ	23DJ	31AZ	23DJ	31AY	23DJ	23DK	31AY	31AY	31AY	31AY	31AY	31AY
31AY	23DN	23DN	33AT	23DN	31AZ	23ED	31AY	31AZ	31AZ	31AZ	31AZ	31AZ	31AZ
31AZ	31AY	31AY	35BC	31AY	33AT	31AY	31AZ	33AT	33AT	33AT	33AT	33AT	33AT
33AT	31AZ	31BC	35CK	31AZ	35AU	31AZ	33AV	35CH	35CH	35CH	35CH	35CH	35CH
35AV	33AW	33AT	45BB	33AT	35BH	33AT	35AU	45BB	45BE	45BS	45BU	45BT	45BT
35BZ	35CJ	35BV	47BW	35AV	45BB	35AU	35BB	45BW	45BW	47AR	47AR	47AR	47AR
35CK	45BB	35CC	47AL	35BD	47AR	35BH	45BB	47AR	47AR	47AZ	47AZ	47AZ	47AZ
45BF	47AR	45BB	47AR	45ED	47BA	45BH	47AR	47AZ	47AZ	47BB	47BB	47BB	47BB
47AR	47AZ	47AR	47AZ	47AR	47BB	47AL	47AZ	47BB	47BB	47BF	47BF	47BF	47BF
47BA	47BB	47AZ		47AZ	47BF	47AR	47BB	47BF	47BF				
47BB	47BF	47BB		47BB		47BA	47BF						
47BF		47BF											

<u>SPEC NO.</u>	<u>11273</u>	<u>11274</u>	<u>11277</u>	<u>11280</u>	<u>11281</u>	<u>11291</u>	<u>11293</u>	<u>11300</u>	<u>11302</u>	<u>11305</u>	<u>11313</u>	<u>11337</u>	<u>11354</u>
11AH	11AH	11AH	11AH	11AH	11AH	11AH	11AW	11AH	11AH	11AH	11AH	11AH	11AH
11AW	11AW	11AW	11AW	11AW	11AW	11AW	11BE	11AV	11AW	11AW	11AW	11AW	11AW
11PP	13BF	13CC	13CC	13CC	13CC	13BN	13BJ	13CF	13BJ	13BN	13BJ	13BJ	13BF
13CB	13BN	13CG	13CG	13CG	13CG	13BV	13BN	13CG	13BN	13BV	13BM	13BN	13BM
13CG	13CG	13DB	13DB	13DB	13DB	13CD	13BV	13CH	13BV	13CD	13BV	13BV	13BY
13CY	15BB	15BC	15AZ	15BC	15AZ	15BD	15BC	15AZ	15AZ	15BB	15AZ	13CG	13CG
15BC	15BD	15BF	15BD	15BF	15BD	15BK	15BD	15BD	15BD	15BD	15BD	15BD	15AZ
15BF	15BK	17CD	15BK	17CD	15BK	15BL	15BJ	15BK	15BK	15BK	15BK	15BK	15BD
17CD	17BZ	17CF	17CD	17CF	15BZ	17BZ	17BC	15BZ	15BZ	17BZ	15BZ	17BY	17BY
17CF	17DA	17DK	17CF	17DT	17BZ	17CD	17CD	17BZ	17BZ	17CD	17CD	17BZ	17CD
17DK	17DG	19AS	17DT	19AS	17CD	17CG	19AS	17CD	17CD	17DA	17CD	17CD	17CG
19AS	19AS	19BB	19AS	23DC	17CG	19AS	23DD	17CG	17CG	19AS	17DA	19AS	19AS
23DC	23DC	23DC	23DC	23DJ	19AS	23DC	31AY	19AS	19AS	23DC	19AS	21BJ	21BJ
23DJ	31AY	23DJ	23DJ	23EH	21BJ	31AY	31BD	23DC	23DC	31AY	21BJ	23DC	23DC
23DN	31AZ	23EH	23EH	23EK	23DC	31BC	35AU	31AY	23DN	31AZ	23DC	23DN	23DN
31AY	33AT	23EK	23EK	31AY	23DN	33AT	35AZ	31BC	31AY	33AT	23DJ	31AY	31AY
31AZ	35AV	31AY	31AY	31AZ	31AY	35AV	45CE	33AT	31AZ	35AU	23DN	31AZ	31AZ
33AT	35CC	31AZ	31AZ	33AT	31AZ	35BC	47AE	35CH	33AT	35BC	31AY	33AT	33AT
35AV	45BE	33AT	33AT	33BB	33AT	45BT	47AZ	45BS	35CJ	45BB	31AZ	35AV	35AV
35BD	45BW	33BB	33BB	35AV	35AV	47AR		47AR	35CK	47BW	33AT	35BC	35BC
45BF	47AR	35AV	35AV	35CV	35BC	47BA		47AZ	45BB	47AR	35AV	45BB	45BB
47AR	47AZ	35BE	35CV	45EE	35CK	47BB		47BB	45BW	47AZ	35BC	47AR	47AR
47AZ	47BB	45BH	45EE	47AR	45BB	47BF		47BF	47AR	47BB	35CK	47AZ	47AZ
47BB	47BF	47AR	47AR	47AZ	45BW				47AZ	47BF	45BB	47BB	47BB
		47AZ	47AZ	47BB	47AR				47BB		45BW	47BF	47BF
		47BB	47BB	47AZ	47AZ				47BF		47AR		
					47BB						47AZ		
					47BF						47BB		
											47BF		

Sales Option Code Table

<u>SPEC NO.</u>	<u>11359</u>	<u>11383</u>	<u>11394</u>	<u>11395</u>	<u>11397</u>	<u>11401</u>	<u>11406</u>	<u>11407</u>	<u>11408</u>	<u>11409</u>	<u>11410</u>	<u>11411</u>	<u>11413</u>
11AH	AA1H	11AH	11AH	11AH	11AH	11AW	11AH	11AH	11AH	11AH	11AH	11AH	11AH
11AW	11AW	11AW	11AW	11AW	11AW	11BE	11AW	11AW	11AW	11AW	11AW	11AW	11AW
13CC	13BN	13CG	13CB	13BN	13BF	11PP	11PP	13CC	13CC	13CF	13CC	11PP	11PP
13CG	13BV	13CG	13CC	13BV	13BN	13CB	13CB	13CG	13CG	13CG	13CG	13CB	13CB
13DB	13CD	13CH	13CG	13CD	13BV	13CG	13CG	13DB	13DB	13CH	13DB	13CC	13CC
15BD	15AZ	15BD	15BD	15AZ	13CG	13CY	13CY	15AZ	15BC	15BC	15BC	13CG	13CG
15BK	15BD	15BK	15BK	15BD	15BC	15BD	15BD	15BD	15BF	15BF	15BF	15AZ	15AZ
15CY	15BK	15CY	15CY	15BK	15BF	15BK	15BK	15BK	17CD	17CD	17CD	15BD	15BD
17CD	15BZ	17CD	17CD	15BZ	17BZ	17CD	17CD	17CD	17DF	17CF	17CF	15BK	15BK
17CF	17BZ	17CF	17CF	17BZ	17CD	17CF	17CF	17CF	17DT	17DT	17DT	17BY	17BY
17DT	17CD	17DT	17DT	17CD	17CG	17DK	17DK	17DT	19AS	19AS	19AS	17CD	17CD
19AS	17DA	19AS	19AS	17CG	19AZ	19AS	19AS	19AS	23DC	19BB	19BB	17DU	17DU
23DC	19AS	19BB	19BB	19AS	23DC	23DC	23DC	23DC	23DJ	23DC	23DC	19AS	19AS
23DJ	21BJ	23DC	23DC	21BZ	31AY	23DJ	23DJ	23DJ	23EH	23DJ	23DJ	23EC	23EC
23EH	23DC	23DJ	23DJ	23DC	31AZ	23DN	23DN	23EH	23EK	23EH	23EH	23DJ	23DJ
23EK	23DJ	23DV	23DV	23DN	33AT	23EH	23EH	23EK	31AY	23EK	23EK	23EN	23EN
31AY	23DN	23EH	23EH	31AY	ETCH	31AY	31AY	31AY	31AZ	31AY	31AY	23EH	23EH
31AZ	31AY	23EK	23EK	31AZ	45BS	31AZ	31AZ	31AZ	33AT	31AZ	31AZ	31AY	31AY
33BF	31AZ	31AY	31AY	33AT	47AR	33AT	33AT	33AT	33BB	33AT	33AT	31AZ	31AZ
35AV	33AT	31AZ	31AZ	35AV	47BA	35AV	35AV	35AV	35AV	33BB	33BB	33AT	33AT
35DE	35AV	33BF	33BF	35DB	47BB	35BD	35BD	35AV	35DC	35AV	35DC	35AV	35AV
35DF	35BC	35AV	35AV	45BB	47BF	45BF	45ED	35DC	45EE	35BE	45BH	35BD	35BD
45EE	35CK	35DD	35DE	45BW		47AR	47AR	45EE	47AR	47GH	47AR	45BF	45BF
47AR	45BB	35DH	35DH	47AR		47AZ	47AZ	47AR	47AZ	47AR	47AZ	47AR	47AR
47AZ	45BW	45BH	45BH	47AZ		47BB	47BB	47AZ	47BB	47AZ	47BB	47AZ	47AZ
47BB	47AR	47AR	47AR	47BB				47BB		47BB		47BB	47BB
	47AZ	47AZ	47AZ	47BF									
	47BB	47BB	47BB										
	47BF												

<u>SPEC NO.</u>	<u>11416</u>	<u>11417</u>	<u>11418</u>	<u>11421</u>	<u>11422</u>	<u>11423</u>	<u>11432</u>	<u>11457</u>	<u>11458</u>	<u>11459</u>	<u>11460</u>	<u>11485</u>	<u>11486</u>
11AH	11AH	11AH	11AH	11AH	11AH	11AH	11AH	11AH	11AH	11AH	11AH	11AH	11AH
11AW	11AW	11AW	11AW	11AW	11AW	11AW	11AW	11AW	11AW	11AW	11AW	11AW	11AW
13CC	13CF	13CB	11PP	11PP	11PP	13BP	13BJ	13CC	13CF	13CC	13CC	13CC	13CC
13CG	13CG	13CC	13CB	13CB	13CB	13BZ	13BN	13CG	13CG	13CG	13CG	13CG	13CG
13DB	13CH	13CG	13CG	13CG	13CG	13DD	13BV	13DB	13CH	13DB	13DB	13DB	13DB
15AZ	15AZ	15AZ	13CY	13CY	13CY	15AZ	15AZ	15BC	15BC	15BC	15BD	15BC	15BC
15BD	15BD	15BD	15BD	15BC	15BD	15BD	15BD	15BF	15BF	15BF	15BK	15BF	15BF
15BK	15BK	15BK	15BK	15BF	15BK	15BJ	15BJ	17CD	17CD	17CD	15CY	17CD	17CD
17CD	17CD	17CD	15CY	17CD	15CY	15BZ	17BY	17CF	17CF	17CF	17CD	17CF	17CF
17CF	17CF	17CF	17CD	17CF	17CD	17CD	17CD	17DT	17DT	17DT	17CF	17DT	17DT
17DT	17DT	17DT	17CF	17DK	17CF	17CF	17DK	19AS	19AS	19AS	17DT	19AS	19AS
19AS	19AS	19AS	17DK	19AS	19DK	17CG	19AS	23DC	19BB	19BB	19AS	23DC	23DC
23DC	19BB	19BB	19AS	23DC	19AS	19AS	21AW	23DJ	23DC	23DC	23DC	23DJ	23DJ
23DJ	23DC	23DC	23DC	23DJ	23DC	21BJ	23DC	23EH	23D	23DJ	23DJ	23EH	23EH
23EH	23DJ	23DJ	23DJ	23DN	23DJ	23DC	23DK	23EK	23EH	23EH	23EH	23EK	23EK
23EK	23DV	23DV	23DN	23EH	23DN	23DN	23DV	31AY	23EK	23EK	23EK	31AY	31AY
31AY	23EH	23EH	23EH	31AY	23EH	31AY	31AY	31AZ	31AY	31AY	31AY	31AZ	31AZ
31AZ	23EK	23EK	31AY	31AZ	31AY	31AZ	31AZ	33BF	31AZ	31AZ	31AZ	33BF	33BF
33AT	31AY	31AY	31AZ	33AT	31AZ	33AT	33AT	35AV	33BF	33BF	33BF	35AV	35AV
33BB	31AZ	31AZ	33AT	35AV	33AT	45BW	45BB	35DC	35AV	35AV	35AV	35DF	35DF
35AV	33AT	33AT	35AV	35BD	35AV	45EA	47AR	35DF	35DD	35DE	35DF	35DJ	35DJ
35CF	33BB	33BB	35BD	45BF	35BD	47AR	47BA	45EE	35DH	35DH	35FJ	45EE	45EE
45EE	35AV	35AV	45BF	47AR	45ED	47BA	47BB	47AR	45BH	45BH	45EE	47AR	47AR
47AR	35BE	35BE	47AR	47AZ	47AR	47BB		47AZ	47AR	47AR	47AR	47AZ	47AZ
47AZ	45BH	45BH	47AZ	47BB	47AZ	47BF		47BB	47AZ	47AZ	47AZ	47AZ	47BB
47BB	47AR	47AR	47BB	47BB	47BB				47BB	47BB	47BB	47BB	47BB
	47AZ	47AZ											
	47BB	47BB											

Sales Option Code Table

<u>SPEC NO.</u>	<u>11496</u>	<u>11499</u>	<u>11501</u>	<u>11510</u>	<u>11519</u>	<u>11520</u>	<u>11546</u>	<u>11551</u>	<u>11552</u>	<u>11561</u>	<u>11568</u>	<u>11569</u>	<u>11573</u>
11AH	11AH	11AH	11AH	11AH	11AH	11AH	11AH	11AH	11AH	11AH	11AH	11AH	11AH
11AW	11AW	11AW	11AW	11AW	11AW	11AW	11AW	11AW	11AW	11AW	11AW	11AW	11AW
13BN	13CB	13CC	11PP	13CC	13CC	13CC	13CF	13CB	13CC	13CF	13BN	13BN	11BE
13BV	13CC	13CG	13CB	13CG	13CG	13CG	13CC	13CG	13CG	13CG	13BV	13BV	13BF
13CD	13CG	13DB	13CC	13DB	13DB	13CH	13CG	13DB	13CH	13CD	13CD	13BN	
17AZ	15BD	15BC	13CG	15BD	15BC	15BD	15BD	15BC	15BC	15AZ	15AZ	13BV	
15BD	15BK	15BF	15AZ	15BK	15BF	15BK	15BK	15BF	15BF	15BD	15BD	13CG	
15BK	15CY	17CD	15BD	15CY	17CD	15CY	15CY	17CD	17CD	17CD	15BK	15BK	15AZ
15BZ	17CD	17CF	15BK	17CD	17DT	17CD	17CD	17CF	17CF	15BZ	15BZ	15BD	
17BZ	17CF	17DT	17BY	17DT	17EA	17DT	17CF	17DT	17DT	17BZ	17BZ	15BZ	
17CD	17DT	19AS	17CD	17EA	19AS	17EA	17DT	19AS	19AS	17CD	17CD	15CK	
17CG	19AS	23DC	17DU	19AS	21CR	19AS	19AS	23DC	21CR	17CG	17CG	17BZ	
19AS	23DC	23DJ	19AS	21CT	23DC	21CR	21CR	23DJ	23DC	19AS	19AS	17CD	
23DC	23DJ	23EH	23DC	23DC	23DJ	23DC	23DC	23EH	23DJ	21BZ	21BZ	17CG	
23DN	23DV	23EK	23DJ	23DJ	23DN	23DJ	23DJ	23EK	23DN	23DC	23DC	19AS	
31AY	23EH	31AY	23DN	23EH	23EH	23EH	23DV	31AY	23EH	23DN	23DN	21BJ	
31AZ	23EK	31AZ	23EH	23EK	31AY	23EK	23EH	31AZ	31AY	31AY	31AY	23DC	
33AT	31AY	33BF	31AY	31AY	31AZ	31AY	23EK	33BF	31AZ	31AY	31AZ	31AY	
35CJ	31AZ	35AV	31AZ	31AZ	33BF	31AZ	31AY	35AV	33BF	33AT	33AT	31AZ	
35CK	33BF	35D3	33AT	33BF	35AV	33BF	31AZ	35DF	35AV	35CJ	35CJ	33AT	
45BW	35AV	35DF	35AV	35AV	35DF	35AV	33BF	35DJ	35DD	35CK	35CK	35AV	
45EA	35DE	45BH	35BD	35DF	35DJ	35DD	35AV	45BH	35DH	45BB	45BW	35CH	
47AR	35DF	47AR	45EE	35DJ	45EE	35DF	35DF	47AR	45BH	45BW	45EA	45BT	
47AZ	45BH	47AZ	47AR	45EE	47AR	45BH	35DJ	47AZ	47AR	47AR	47AR	47AR	
47BB	47AR	47BB	47AZ	47AR	47AZ	47AR	45BH	47BB	47AZ	47AZ	47AZ	47AZ	
47BF	47AZ		47BB	47AZ	47BB	47AZ	47AR		47BB	47BB	47BB	47BB	
	47BB			47BB		47BB	47AZ	47BB		47BF	47BF	47BF	

<u>SPEC NO.</u>	<u>11592</u>	<u>11593</u>	<u>11602</u>	<u>11603</u>	<u>11606</u>	<u>11609</u>
11AH	11AH	11AH	11AH	11AH	11AH	11AH
11AW	11AW	11AW	11AW	11AW	11AW	11AW
13CB	13CC	11BF	11BH	11BE	13BK	
13CC	13CG	13BF	11PP	13BJ	13BM	
13CG	13DB	13BN	13CB	13BN	13BY	
15BD	15BC	13BZ	13CG	13BV	15BD	
15BK	15BF	13CG	13CY	15AZ	15BJ	
15CY	17CD	15AZ	15BD	15BD	15BL	
17CD	17DT	15BD	15BK	15BK	17BZ	
17DT	17EA	15BJ	15CY	15BZ	17CG	
17EA	19AS	15BZ	17CD	17BZ	17CV	
19AS	21CR	17BZ	17CF	17CD	19AS	
21CR	23DC	17CD	17DK	17CG	21BZ	
23DC	23DJ	17CG	19AS	19AS	23DC	
23DJ	23DN	19AS	23DC	23DC	23DN	
23DN	23EH	21BM	23DJ	31AY	31AY	
23DV	31AY	23DC	23DN	31BC	31AZ	
23EH	31AZ	23DN	23EH	33AT	33AT	
31AY	33BF	31AY	31AY	35CH	35AV	
31AZ	35AV	31AZ	31AZ	45BS	35BB	
33BF	35DF	33AT	33AT	47AR	45BB	
35AV	35DJ	35AV	35AV	47AZ	47AR	
35DF	45EH	35CH	35BD	47BB	47BA	
35DJ	47AR	45BT	45ED	47BF	47BB	
45EH	47AZ	47AR	47AR			
47AR	47BB	47BA	47AZ			
47AZ		47BB	47BB			
47BB		47BF				

**SALES CODES LISTED BELOW ARE SALES OPTION CODE NUMBERS THESE
CODES ARE USED ON P216, P218, P220**

11AH Standard Bearing Plate	15CB Down Carb–Manual Choke (Deere)
11AK 4 Boss 5.7 BC Bearing Plate	15CJ Fuel–Cutoff–Solenoid
11AP SAE–A Bearing Plate	15CK Remote Choke (Solenoid)
11AR SAE–B Bearing Plate	15CL Carb–Manifold–Auto Choke
11AU Standard Block	15CM Fuel Line 5” – Filter (SUC Side Top)
11AV Premium Block – Plastic Thrust Washer	15CY Pmp, Fuel–N/Filter–Carb Mounted
11AW Premium Block with Standard Thrust Washer	17AS Oil Filter–Remote
11AY Standard Block (Premium Head)	17BC Oil Base – 4 Quart
11AZ Hydraulic Lifters	17BW Oil Base–Standard Capacity with Side Drain Only
11BB Premium Block (Deere) Standard Bearing Plate	17BY Oil Fill Tube & Indicator – Inner
11BE Adapter, Hydraulic Pump (SAE A)	17BZ Oil Fill Tube & Indicator – Outer
11BF Adapter, Hydraulic Pump (SAE B)	17CD Oil Filter (3.4” Long)
11BG 6 Holes Rear of Block	17CE No Oil Filter
11BH Adapter, Bearing Plate (7” Pilot)	17CF Oil Fill Tube & Indicator – Outer Extension
11BJ Electric Clutch Adapter	17CG Oil Base–Standard Capacity (Optional Drains)
11BK Single Groove Pulley	17CH Oil Fill Tube & Indicator
11PP Plastic Plugs (Inserted in Block)	17CJ Remote Oil Filter With Lines
13BF Governor, 2 Speed Solenoid	17CK Remote Oil Filter Adapter Plate
13BG Governor–3450 High Idle	17CM Oil Base 2.5 Quart (Die Cast)
13BJ Side Pull Governor	17CN Chrome Oil Fill Tube & Indicator – Inner
13BK Front Pull Governor	17CR Oil Fill Tube & Indicator (Outer)
13BM 3850 High Idle	17CV Oil Filter–Hex Nut (4.6” Long)
13BN 3600 High Idle	17DA Oil Base–3 Quart (Sandcast)
13BP 3300 High Idle	17DE Oil Base – Standard Capacity with Temperature Switch
13BR 3200 High Idle	17DF Oil Filter (4.2” Long)
13BS 2800 High Idle	17DG Oil Filter with Hex Nut (3.8” Long)
13BT 2600 High Idle	17DH Oil Base – 2.5 Quart – Single Drain
13BU 1100 Low Idle	17DK Oil Base – Standard Capacity
13BV 1200 Low Idle	17DL Oil Base – 2.5 Quart – Single Drain
13BW 1300 Low Idle	17DM Oil Base – Standard Capacity – Temperature Switch
13BY 1400 Low Idle	17DT Base, Standard Oil–Side Drain–W/Valve
13BZ 1500 Low Idle	17DU Base, 2.5 Qt Oil–W/Valve
13CB 3780 High Idle	17EA Oil Fill & Indicator–Miller
13CC Governor Arm Extension–Diameter .141 (Customer Interface)	19AS Air Cleaner – Standard Capacity
13CD No Governor Linkage	19AU Air Cleaner – High Capacity
13CE 1800 Low Idle	19AV Remote Air Cleaner Adapter
13CF 1850 High Idle	19BA Air Cleaner–XSL with Reset Switch
13CG Fixed Speed Governor	19BB Air Cleaner Cover – Chrome
13CH 10 Ball Governor	19BC Intake Manifold with Vacuum Top
13CK Side Pull Governor with Blower Housing Cutout	19CJ Remote Air Cleaner Adapter with Elbow
13CL 3000 RPM High Idle	19CK Elbow, Remote Air Cleaner–HAKO Only
13CM 3400 RPM High Idle	19AS Air Cleaner, Standard Capacity
13CR 3550 RPM High Idle	19AW Air Intake Sys–Standard Capacity
13CY Governor Arm Extension (Customer Interface)	21AG Flanged, Exhaust Adapter 1.28 OD
13DA Governor, Side Pull–w/Swivel	21AW Exhaust Tube (7.5” Centers) with Covers
13DB 3730 RPM High Idle	21AZ Exhaust Tubes (14” Centers) with Covers
13DD Governor, Side Pull, .190 Hole	21BB Exhaust Tubes (11.8” Centers) with Cover/Brackets
15AZ Fuel Pump–No Filter (Dual Inlet)	21BD Exhaust Tubes (11.8” Centers)
15BA Fuel Pump–Filter (Top Inlet)	21BE Exhaust Tubes (7.5” Centers)
15BB No Pump–Filter	21BF Exhaust System with Covers and Brackets
15BC No Pump–No Filter	21BG Adapter, Exhaust (1.5” OD)
15BD Downdraft Carb–Manual Choke	21BH Exhaust Manifold – Left Rear Outlet with Covers
15BF Carburetor, LP–Downdraft	21BJ Exhaust Tubes (7.5” Centers)
15BJ Front Pull Choke	21BK Exhaust Manifold – Right Rear – Outlet
15BK Rear Pull Choke	21BM Exhaust Tubes with Covers and Support Brackets (7.5” Centers)
15BL Fuel Pump with Filter (Dual Inlet)	21BW Exhaust Manifold–Right Rear–Down
15BM Fuel Pump – No Filter (Top Inlet)	21BZ Exhaust Adapter 1.125” OD
15BR Fuel Pump – No Filter (Dual Inlet) 17” Line	21CA Exhaust Manifold – Left Rear Outlet
15BU Downdraft Carb–Dual Fuel (Left)	21CC Exhaust Tubes with Covers and Support Brackets (14” Centers)
15BZ 5” Fuel Line with Filter (Suck Side – Bottom)	

**SALES CODES LISTED BELOW ARE SALES OPTION CODE NUMBERS THESE
CODES ARE USED ON P216, P218, P220**

21CD Exhaust Tubes (14" Centers)	35BZ 6 Pin Harness
21CE Exhaust Tube with Covers (11.8" Centers)	35CC 6 Pin W/Diode & Mating Connector
21CR Exhaust Studs	35CG 4 Pin/2 Wire with Mating Connector
23DC Press Cooled Housing and Wheel	35CH 6 Pin/4 Wire with Mating Connector
23DD Blower Wheel (Vacuflow)	35CJ 6 Pin/4 Wire Harness
23DE Stationary Guard – No PTO (Steel)	35CK Control Panel
23DH Stationary Guard with PTO (Steel)	35CL 6 Pin Harness W/Lt Rear Interface
23DJ No Rotating Screen	35CV 6 Pin Harness W/Lt Rear Intfl
23DK Cylinder Air Housings with Weld Nuts	35CM Oil Temperature Switch (1 Terminal–Normally Closed)
23DN Stationary Guard (No PTO–Plastic) – Onan Logo	35DB Control Panel W/Harness
23DV Baffle, Oil Base Cooling	35DD Harness, 6 Pin Lt Rr Interface W/Diode
23DZ M Engine Components	35DE Harness, 6 Pin Lt Rr Interface W/Diode
23ED Stationary Guard with PTO (Plastic)	35DF Cable, Battery Pos. W/Slv
23EF Housing and Wheel Ingersoll (B)	35DJ Harness, 6 Pin Lt Rr Interface W/Diode & Fuse
23EH Inverted Volt Reg (Cyl Air Housing–Restricted)	35DL Switch, Low Pressure–Sealed Connector
23EJ Stationary Guard without P.T.O. – No Logo	39AG Control Panel
23EK Stationary Guard – No P.T.O. (Miller)	45BB 1.12 Diameter St Shaft 3.95 to RFB
23EL Screen – No Center Bolts	45BC 1.12 Diameter St Shaft 2.25 to RFB
31AY Electronic Ignition	45BD 1.44 Diameter St Shaft 3.77 to RFB
31AZ Alternator – 12V/20A	45BE 1.44 Diameter St Shaft 3.99 to RFB
31BC Alternator – 12V/35A	45BF 1.12 Diameter TP Shaft 3.11 to RFB
31BD No Alternator	45BG 1.12 Diameter TP Shaft 4.96 to RFB
31BJ Alternator 12V (Deere) – 20 Ampere	45BH 1.12 Diameter TP Shaft 2.18 to RFB
33AS Starter Solenoid Shift (Down)	45BJ 1.12 Diameter TP Shaft 2.55 to RFB
33AT Starter Solenoid Shift (Side) Standard	45BL Crankshaft–Balance Weight
33AV Starter–Bendix	45BP 1.50 Diameter St Shaft 2.74 to RFB
33AW Starter–Solenoid Shift (Side) Premium	45BS Internal Splined 9 Tooth Crank
33BA Solenoid Shift (Down) Premium	45BT Internal Splined 13 Tooth Crank
33BB No Starter Cap Kit	45BU Internal Splined 11 Tooth Crank
33BF Starter, Solenoid Shift–Side W/Cap	45BW Add Crankshaft Key
35AH Low Oil Pressure Switch (1 Terminal/Normally Open)	45BY 1.12 Diameter St Shaft 5.00 to RFB
35AU Low Oil Pressure Switch (1 Terminal/Normally Closed)	45BZ 1.04 Diameter TP Shaft 3.63 to RFB
35AU Low Oil Pressure Switch (1 Terminal/Normally Open)	45CA 1.12 Diameter St Shaft 4.71 to RFB
35AV Low Oil Pressure Switch (2 Terminal/Normally Open)	45CC Crankshaft–No PTO (Stub)
35AW 3 Pin Harness	45CE Crankshaft 1.63" TP Shaft x 2.24" RFB
35AZ Wiring Harness	45EA 1.12 Diameter St Shaft–4.71 to RFB
35BA Oil Pressure Sender (40 PSI)	45ED 1.12 Dia Top Shaft 3.72 RFB
35BB 4 Pin Harness with Mating Connector	45EE CS–ST Shaft 1–14 UNS–2A SPL
35BC 6 Pin Harness with Mating Connector	45EH 1.12 Dia Top Shaft 2.68 to RFB
35BD 4 Pin Harness – Ext 10"	47AE Paint and Primer
35BE 6 Pin Harness with LT Rear Interface	47AL No Labels
35BH 4 Pin Harness	47AR Finishing List
35BJ 2 Wire Harness w/Inline Fuse	47AV Modification Kit
35BK 9 Pin Harness	47AW Ingersoll B – Installation and Connection
35BL High Metal Temperature Switch (1 Terminal – Normally Open)	47AY Loose Labels
35BV Low Oil Pressure Switch (3 Terminal – Normally Open/ Normally Closed Common Ground)	47AZ Nameplate – Alternate Location
35BW Low Oil Pressure Switch (2 Terminal – Normally Open/ Normally Closed – Int. Ground)	47BB Labels – P218, P220
	47BF Maintenance Labels

Numerical Index

<u>Part No.</u>	<u>Page</u>	<u>Part No.</u>	<u>Page</u>	<u>Part No.</u>	<u>Page</u>	<u>Part No.</u>	<u>Page</u>
098-5735,	54	104-0575,	7	105-0718,	10	113-0314-30,	9
098-5969-01,	62	104-0776,	7	110-0197,	7	114-0022,	15, 16, 25, 41
098-5969-02,	62	104-0776-01,	7	110-0197-02,	7	114-0023,	17
098-5969-03,	62	104-0779,	13	110-0197-05,	7	114-0392,	9
098-5969-04,	62	104-0900,	11	110-0197-10,	7	114-0394,	9
098-6664,	62	104-0901,	11	110-0197-25,	7	114-0394-10,	9
098-6802-01,	62	104-0983-01,	11	110-1824,	7	114-0394-20,	9
098-6802-02,	62	104-1167,	11	110-1824-02,	7	114-0394-30,	9
098-6802-03,	62	104-1330,	11	110-1824-05,	7	114-0397,	9
101-0405,	7	104-1331,	11	110-1824-10,	7	114-0397-10,	9
101-0437-01,	7	104-1332,	11	110-1824-25,	7	114-0397-20,	9
101-0439-01,	7	104-1333,	11	110-1879-01,	7	114-0397-30,	9
101-0551-01,	7	104-1348,	11	110-3181,	7, 62	115-0006,	7
101-0761,	7	104-1349,	11	110-3479,	7	115-0025,	17
101-0766-01,	9	104-1351,	11	110-3480,	7	120-0140,	7, 48
101-0766-02,	9	104-1352,	11	110-3485,	7	120-0161,	7, 62
101-0804,	7	104-1354,	11	110-3487,	7	120-0398,	7, 48
101-0804-02,	7	104-1364,	11	110-3508,	7	120-0491,	7
101-0804-10,	7	104-1432,	11	110-3509,	7	120-0713,	51
101-0804-20,	7	104-1443,	11	110-3510,	7	120-1215,	51
101-0804-30,	7	104-1502,	11	110-3511,	7	120-1230,	51
101-0805,	7	104-1535,	11	110-3526,	7	120-1320,	7
101-0805-02,	7	104-1575,	11	110-3527,	7	122-0360-50,	47
101-0805-10,	7	104-1621,	11	110-3637-01,	7	122-0369,	48
101-0805-20,	7	104-1674,	40	110-3709,	7, 62	122-0406,	47
101-0805-30,	7	104-1693,	11	112-0229,	9	122-0438,	47
101-0809,	7, 62	104-1699,	11	112-0264,	9	122-0469,	47, 48
102-0743,	51, 62	104-1700,	11	112-0264-01,	9	122-0476,	48
102-0938,	51	104-1712,	11	112-0264-02,	9	122-0502,	47
102-1286,	51	104-1735,	11	112-0264-03,	9	122-0559,	48
102-1325,	51	104-1768,	11	112-0264-05,	9	122-0645,	47
102-1338,	51	104-1787,	11	113-0310,	9	122-0771,	47, 48, 62
102-1384,	51	104-1871,	11	113-0310-01,	9	122-0800,	47
102-1387,	51, 62	104-1873,	11	113-0310-02,	9	122-0814,	47
103-0791,	15	104-1887,	11	113-0310-03,	9	123-0951,	9
103-0799,	15	104-1939,	11	113-0310-05,	9	123-0952,	9
103-0810,	15, 62	105-0541,	10	113-0314,	9	123-0954,	9
104-0032,	11	105-0637,	10	113-0314-05,	9	123-0958,	9
104-0043,	11	105-0639,	10	113-0314-10,	9	123-1173,	7
104-0170,	13	105-0700,	10	113-0314-20,	9	123-1174,	7

Numerical Index

<u>Part No.</u>	<u>Page</u>	<u>Part No.</u>	<u>Page</u>	<u>Part No.</u>	<u>Page</u>	<u>Part No.</u>	<u>Page</u>
123-1175,	7	134-4672-50,	53	140-2539-51,	37	146-0613,	25, 27
123-1402-01,	46	134-4689,	45	140-2539-53,	37	146-0649,	26
123-1429,	37	134-4689-02,	45	140-2628-01,	37	146-0650,	26
123-1484-01,	32, 37	134-4705,	13	140-2628-02,	37	146-0652,	26
123-1539,	39	134-4796-50,	43	140-2668-01,	39	146-0657,	26
123-1616,	51	134-4798-50,	43	140-2722-01,	32	146-0658,	26
123-1630-01,	46	134-4824,	43	140-2761,	37	146-0659,	25, 26
123-1637,	46	134-4885-02,	43	140-2786,	37	146-0660,	25, 26
123-1637-01,	46	134-4902-02,	43	140-2789,	37	146-0661,	25
123-1685-50,	46	134-4906-02,	43	140-2942,	37	146-0678,	29, 32
123-1718-50,	46	134-4907-02,	43	141-0281,	32	146-0679,	29, 32
123-1729-50,	46	134-4908-02,	43	145-0521,	37	146-0694,	26
123-1754-01,	46	134-4909-02,	43	145-0614,	37	146-0697,	26
123-1849-01,	46	134-4956-50,	43	146-0331,	26	146-0698,	26
123-1850-01,	46	134-4957-50,	43	146-0338,	26	148-0907,	29
123-1851-01,	46	134-4983-50,	53	146-0341,	28	148-0908-01,	29
123-1860-01,	46	134-5179-02,	43	146-0342,	28	148-0909,	29
123-1863-51,	46	134-5184-02,	43	146-0343,	28	148-0911,	29
123-1865-51,	46	134-5185-02,	43	146-0347,	27	148-0914,	29
123-1871,	9, 37, 39	140-0721,	38	146-0391,	27	148-0918-01,	29
123-1880-01,	46	140-0722,	38	146-0396,	27	148-0932-02,	31
123-1896-02,	46	140-0723,	38	146-0420,	27	148-0937-02,	31
123-1896-04,	46	140-1428,	38, 39	146-0423,	26	148-0941,	31
123-1961,	46	140-1496-01,	37	146-0425,	27, 28	148-0942,	31
123-2105,	46	140-1714,	39	146-0433,	27	148-0943,	31
123-2117-02,	46	140-1912-01,	37	146-0434,	27	148-0971,	30
123-2119-01,	46	140-1913-50,	37	146-0435,	27	148-0972,	30
134-3626-50,	43	140-2005-02,	37	146-0437,	27, 28	148-0977,	30
134-3864-50,	51	140-2005-50,	37	146-0441,	28	148-1025,	29
134-3891-50,	53	140-2017-50,	37	146-0458,	27	148-1026,	30
134-4254-50,	53	140-2025-01,	37	146-0495,	25, 27, 29	149-1299,	15
134-4352,	43	140-2173,	38	146-0496,	25, 27	149-1308,	23
134-4445-50,	53	140-2202-02,	37	146-0498,	28	149-1321,	15, 23
134-4553-50,	13	140-2204,	37	146-0499,	28	149-1982,	23
134-4556-01,	45	140-2278,	37	146-0500,	27	149-2187-02,	23
134-4560-50,	45	140-2279,	29	146-0502,	26, 27	149-2206-01,	23
134-4610-50,	43	140-2493-51,	37	146-0503,	27, 28	149-2242,	39
134-4615-50,	43	140-2493-53,	37	146-0506,	25, 28	149-2366,	17
134-4633,	13	140-2536-01,	37	146-0520,	29	149-2500,	23
134-4655-50,	53	140-2536-02,	37	146-0562,	32	149-2501-00,	23

Numerical Index

<u>Part No.</u>	<u>Page</u>	<u>Part No.</u>	<u>Page</u>	<u>Part No.</u>	<u>Page</u>	<u>Part No.</u>	<u>Page</u>
149-2501-01,	23	150-2531,	35	155-2320,	53	191-1949-05,	18
150-0075,	10	150-2550,	25, 32, 43	155-2329-50,	53	191-1949-07,	18
150-0078,	10	150-2570,	43	155-2521,	53	191-1950,	19
150-0621,	45	150-2571,	43	160-1345-01,	9	191-1951,	19
150-0629,	45	150-2584,	43	160-1368,	9, 62	191-1952,	19
150-0639,	45	150-2593-02,	25, 32	166-0761,	16	191-1953,	19, 20
150-0694,	45	150-2688-02,	45	166-0767,	16	191-1954,	19, 20
150-1007,	15	150-2695-02,	45	166-0770,	16	191-1955,	19, 20
150-1187,	15	152-0155,	34, 43	166-0771,	16	191-1956,	19, 20
150-1214,	43	153-0500,	34, 35	166-0785,	15	191-2104,	15
150-1269,	43	153-0514,	33, 34, 43	166-0786,	15	191-2208,	15
150-1366,	43	153-0523,	34	166-0800,	15	193-0389,	50
150-1398,	43	153-0524,	34	166-0820,	16	301-0458,	37
150-1422,	15	153-0606,	54	167-0272,	16	301-9964-51,	54
150-1470-01,	15	153-0632,	17, 45	167-1615-01,	16	307-0312,	30
150-1519,	10	153-0642,	35	167-1615-04,	16	307-2750,	35
150-1520,	10	153-0678,	17	168-0187,	7, 62	307-2751,	35
150-1725-01,	43	153-0686-02,	33	168-0189,	7, 62	307-2754,	29, 31
150-1726-01,	43	154-0733,	25, 26, 27, 62	190-0267,	11	307-2758,	17
150-1727,	17, 43	154-1958-50,	53	190-0597,	40	308-0385,	54
150-1740,	17, 43	154-2128-50,	53	190-0687,	13	309-0546,	48, 49
150-1754-01,	43, 54	154-2129-50,	53	191-1038,	21	309-0558,	49
150-1755,	43, 54	154-2178-50,	53	191-1048,	21	309-0559,	41
150-1761,	43	154-2243-50,	53	191-1156,	21	309-0583,	49
150-1761-01,	43	154-2343-50,	53	191-1210,	41	309-0592,	41
150-2184,	54	154-2344-50,	53	191-1276,	15	309-0615,	49
150-2264,	45	154-2495,	25, 32, 62	191-1359,	21	309-0625,	51
150-2345-02,	43	154-2613-50,	53	191-1456,	15	309-0641-17,	49
150-2360,	43	154-2709,	53	191-1532,	21	309-0641-18,	48, 49
150-2364,	25	154-2710,	53	191-1534,	21	309-0646-01,	49, 50
150-2388,	45	154-2713-50,	53	191-1671,	21	309-0646-02,	49
150-2408-02,	45	154-2746,	53, 62	191-1763,	20	309-0646-03,	49
150-2427-02,	45	154-2840,	53	191-1764,	20	309-0646-04,	49
150-2460,	25, 45	154-2841,	53	191-1766,	19, 20	309-0661,	49
150-2478,	35	155-1256,	53	191-1828,	18	312-0256,	37, 39
150-2480,	35	155-1257,	53	191-1841,	21	321-0291,	57, 58, 59, 60
150-2481,	35	155-2255,	53	191-1847,	15	321-0362,	58
150-2498,	17	155-2264-50,	53	191-1931,	19, 20	321-0364,	58
150-2499,	17	155-2300,	53	191-1947,	19	323-0892,	61
150-2524-02,	45	155-2302-01,	53	191-1949-04,	18	323-0916,	54

Numerical Index

<u>Part No.</u>	<u>Page</u>	<u>Part No.</u>	<u>Page</u>	<u>Part No.</u>	<u>Page</u>	<u>Part No.</u>	<u>Page</u>
323-0987,	54, 56	338-2104-02,	56	338-3642,	58	503-1574,	25
323-1085,	59	338-2162,	55	338-3653,	58	503-1577,	25
323-1199,	59	338-2174,	61	338-3689,	54	503-1593,	23
323-1200,	57, 58, 59	338-2175,	59	338-3690,	54	503-1606-01,	25
323-1216,	54, 55, 57, 58, 61	338-2211,	49	357-0030,	54, 56, 58	503-1606-02,	32
323-1254,	61	338-2216,	57	403-4202-02,	45	503-1752,	37
323-1291,	59	338-2259,	60	501-0008,	47	503-1798,	32
323-1296,	60	338-2390,	55	501-0440,	48	503-1865-01,	23
323-1317,	57, 58	338-2504,	59	501-0498,	48	503-1882-01,	32, 37
323-1381,	55	338-2516,	60	502-0017,	47	503-1882-02,	29
323-1382,	55	338-2638,	61	502-0020,	47	503-1882-03,	37
323-1386,	56	338-2804-01,	56	502-0029-08,	30	504-0186,	51
323-1417,	61	338-2805,	56	502-0053,	48, 49, 50	505-0049,	48
323-1424,	57, 58, 59, 60	338-2843,	57	502-0054,	29	505-0057,	7, 47, 48
323-1679,	57, 58	338-2844,	58	502-0126,	29	505-0110,	51
323-1697,	57, 58	338-3086,	58	502-0133,	30	505-1426,	47
323-1774,	59	338-3178-01,	56	502-0137,	29	505-1475,	51
332-0819,	55, 56, 57	338-3178-02,	56	502-0313,	25	508-0001,	37
332-1356,	32	338-3179,	55	502-0575,	29	508-0021,	17, 32, 37, 39
332-1503,	55	338-3180,	61	502-0804,	48	508-0249,	48
332-1554,	25, 29	338-3181,	55	502-0806,	48	508-0273,	45, 48
332-2073,	56, 59, 60, 61	338-3183,	49	502-1038,	25	508-0284,	54
332-2238,	61	338-3185-01,	56	502-1145,	30, 31	509-0008,	15, 62
332-2301,	49, 55	338-3186,	56	502-1146,	32	509-0035,	29
332-2319,	43	338-3191,	59	502-1252,	9	509-0040,	15, 62
332-2423,	15, 61	338-3192,	57	503-0183,	29	509-0041,	7, 62
332-2650,	16	338-3193,	57	503-0301,	15, 23	509-0117,	9
332-2715,	55, 56, 57	338-3194,	57	503-0398,	39	509-0142,	46, 62
332-2870-01,	55, 57, 58	338-3195,	58	503-0707,	23	509-0145,	25, 29, 39, 62
332-2870-02,	55, 58	338-3325,	57, 58	503-0731,	23, 25	509-0269,	46, 62
332-2890,	55, 56	338-3357,	55	503-0769,	39	509-0289,	7, 62
332-2904,	16	338-3358,	55	503-1016,	23	509-0304,	46
332-2922,	57, 58, 59, 60	338-3420,	58	503-1048,	29	510-0014,	15
332-2923,	57, 58, 59, 60	338-3421,	58	503-1133,	25, 32	510-0015,	10
332-3096-01,	59	338-3505,	58	503-1141,	38, 39	510-0105,	15
332-3143,	56	338-3551,	57	503-1142,	39	515-0001,	10, 11
332-3165,	56	338-3552,	57	503-1199,	23	515-0007,	13
338-2075,	55	338-3556,	58	503-1396,	39	515-0103,	11
338-2104-01,	56	338-3589,	58	503-1443,	25	515-0146,	11
		338-3631,	59	503-1548,	25	515-0198,	11

Numerical Index

<u>Part No.</u>	<u>Page</u>	<u>Part No.</u>	<u>Page</u>	<u>Part No.</u>	<u>Page</u>	<u>Part No.</u>	<u>Page</u>
515-0230, 11		526-0063, 7		800-0058, 51		815-0555, 23, 43	
515-0263, 11		526-0065, 15, 47, 48		800-0061, 51		815-0575, 45	
515-0284, 13		526-0066, 7, 48		800-0193, 25, 32		815-0576, 46	
515-0301, 11		526-0113, 25		800-0200-01, 51		815-0650, 16, 54	
516-0059, 17, 34, 43, 45		526-0122, 7, 18, 25		800-0302, 51		815-0682, 7	
516-0072, 7		526-0140, 34		800-0512, 53		815-0687, 13	
516-0130, 15		526-0174, 48		800-0515, 7		815-0693, 34, 43	
516-0141, 7		526-0234, 37		800-0571, 7		815-0721, 45	
517-0048-01, 7		526-0245, 40		800-0595, 18		815-0760, 46	
517-0067, 7		526-0251, 51		800-4072, 17, 45		815-0800, 17	
517-0120, 9		526-0356, 13		801-0047, 48		815-0820, 34, 35	
517-0136, 45		526-0397, 32		801-0049, 7		821-0004, 33, 34, 35	
517-0165, 23		526-0402, 7		802-0056, 48		821-0008, 45, 53	
517-0174, 39		541-0235, 49		802-0073, 40		821-0009, 29, 53, 54	
517-0177, 34		541-0236, 49		802-0805, 48		821-0010, 17, 30, 35, 43, 45	
517-0252, 39		541-0319, 49		803-0071, 7		821-0013, 32	
517-0261, 45		541-0377, 53		805-0019, 40		821-0014, 53	
518-0004, 25, 32, 45		541-0379, 53		809-0035, 9		821-0015, 15	
518-0006, 35		541-0428, 25, 32		813-0106, 39		821-0016, 43	
518-0014, 11		541-0429, 25		815-0046, 15		821-0018, 31	
518-0311, 9		541-0457-01, 37		815-0172, 15		821-0029, 53	
518-0347, 62		541-0458-01, 37		815-0178, 37		850-0030, 15, 39	
518-0406, 25, 32		541-0458-02, 37		815-0181, 45		850-0040, 43	
518-0452, 62		541-0459, 37		815-0194, 45, 47, 54		850-0045, 53	
518-0515, 16, 23, 25, 45		740-1004, 7, 9, 43		815-0261, 37, 39, 43		851-0029, 54	
518-0637, 15, 25, 32, 45		740-1006, 25, 32, 41, 53		815-0290, 35, 43		853-0013, 15, 39, 41	
520-0820, 7		750-1006, 19		815-0293, 30, 31		854-0010, 15	
520-0933, 15		800-0004, 9, 38		815-0337, 43		862-0001, 54	
525-0305, 62		800-0007, 7, 43		815-0340, 15, 51		862-0003, 48	
525-0394, 62		800-0010, 7		815-0359, 33, 34, 43		862-0015, 15	
525-0454, 62		800-0011, 29, 37		815-0378, 54		865-0020, 37	
525-0614, 62		800-0026, 53		815-0389, 39		870-0053, 35	
526-0006, 17, 45		800-0027, 48		815-0391, 43		870-0065, 38	
526-0008, 35		800-0028, 47		815-0436, 43		870-0131, 45	
526-0017, 13		800-0028-01, 47		815-0439, 17, 43		870-0212, 16, 17, 35	
526-0018, 7, 29, 31, 32, 37, 38, 43		800-0030, 13		815-0463, 37		870-0257, 48	
526-0021, 17, 41, 43		800-0033, 25, 32		815-0470, 37		870-0297, 54	
526-0029, 54		800-0034, 31		815-0474, 25, 45		870-0298, 35	
526-0030, 48		800-0050, 54		815-0510, 43		870-0302, 9	
		800-0051, 7, 40		815-0516, 37			

Numerical Index

<u>Part No.</u>	<u>Page</u>	<u>Part No.</u>	<u>Page</u>	<u>Part No.</u>	<u>Page</u>	<u>Part No.</u>	<u>Page</u>
870-0346,	37						
870-0365,	37						
870-0399,	37						
870-0410,	46						
870-0438,	21						
870-0533,	9						
99-2389,	45						
99-2393,	45						



Onan Corporation
1400 73rd Avenue N.E.
Minneapolis, MN 55432
1-800-888-ONAN
612-574-5000 International Use
Telex: 275477
Fax: 612-574-8087

Onan is a registered trademark of Onan Corporation